

High-quality pressure sensor with mounted diaphragm seal With process connection per Svensk Standard SS 1145 Model DSS19T, for food

WIKA data sheet DS 95.22

Applications

- Hygienic pressure measurement in sanitary applications for the food and beverage industry
- Mounting to pipelines and vessels with 4 ... 20 mA output signal
- For gases, compressed air, vapour; liquid, pasty, powdery and crystallising media

Special features

- Quick cleaning, without residue
- Process connection per Svensk Standard SS 1145
- Suitable for cleaning out of place (COP)
- Sterilisation-in-Place (SIP) up to max. 130 °C [266 °F]



Diaphragm seal system, model DSS19T

Description

The DSS19T complies with the requirements of the food industry. The threaded connection enables a hygienic process connection. The requirements of COP (cleaning out of place) are fulfilled.

The diaphragm seal systems can withstand the cleaning vapour temperatures occurring in the SIP processes and thus ensure a sterile connection between the medium to be measured and the diaphragm seal.

The proven, all-welded construction ensures a long service life and permanent sealing.

The DSS19T is used for pressure measurement in various process steps, e.g. filtration, separation, pasteurisation, and in filling systems.

Specifications

Model DSS19T	
Design	High-quality pressure sensor, welded to diaphragm seal
Current output	4 ... 20 mA (2-wire)
Power supply	DC 8 ... 35 V
Accuracy at reference conditions	≤ ±0.5 % of span
Permissible load in Ω	Current output ≤ (power supply - 7.5 V) / 0.023 A
Current supply	Max. 25 mA
Dissipation loss	828 mW
Reference conditions (per IEC 61298-1)	Temperature: 15 ... 25 °C [59 ... 77 °F] Atmospheric pressure: 860 ... 1,060 mbar [12.5 ... 15.4 psi] Humidity: 45 ... 75 % r. h. Power supply: DC 24 V Mounting position: Calibrated in vertical mounting position with pressure connection facing downwards.
Pressure limitation	< 10 bar [150 psi]: 3 times ≥ 10 bar [150 psi]: 2 times
Permissible temperature range	
Medium	10 ... 80 °C [50 ... 176 °F], for SIP max. 130 °C [266 °F]
Ambient	10 ... 40 °C [50 ... 104 °F]
Storage	10 ... 60 °C [50 ... 140 °F]
Material	
wetted	Diaphragm: Stainless steel 1.4435 [316L] Diaphragm seal: Stainless steel 1.4435 [316L]
non-wetted	Case: Stainless steel 1.4571 [316Ti] Zero adjustment ring: PBT/PET GF30 Angular connector: PBT/PET GF30
Surface roughness of wetted parts	Ra ≤ 0,76 µm [30 µin] per ASME BPE SF3 (except for weld seam)
Level of cleanliness of wetted parts	Oil and grease free per ASTM G93-03 level F WIKA standard (< 1,000 mg/m ²)
System fill fluid	Medicinal white mineral oil KN 92 (FDA 21 CFR 172.878, 21 CFR 178.3620(a); USP, EP, JP), recommendation for pharmaceutical and cosmetics applications
Permissible humidity (per IEC 68-2-78)	≤ 67 % r. h. at 40 °C [104 °F] (in accordance with 4K4H per EN 60721-3-4)

Measuring ranges in bar [psi]


Gauge pressure			
0 ... 1 [0 ... 15]	0 ... 1.6 [0 ... 25]	0 ... 2.5 [0 ... 40]	0 ... 4 [0 ... 60]
0 ... 6 [0 ... 100]	0 ... 10 [0 ... 160]	0 ... 16 [0 ... 250]	0 ... 25 [0 ... 300]
Vacuum and +/- measuring range			
-1 ... +5 [-30 inHg ... +70]	-1 ... +9 [-30 inHg ... +130]	-1 ... +10 [-30 inHg ... +145]	

Electrical connection

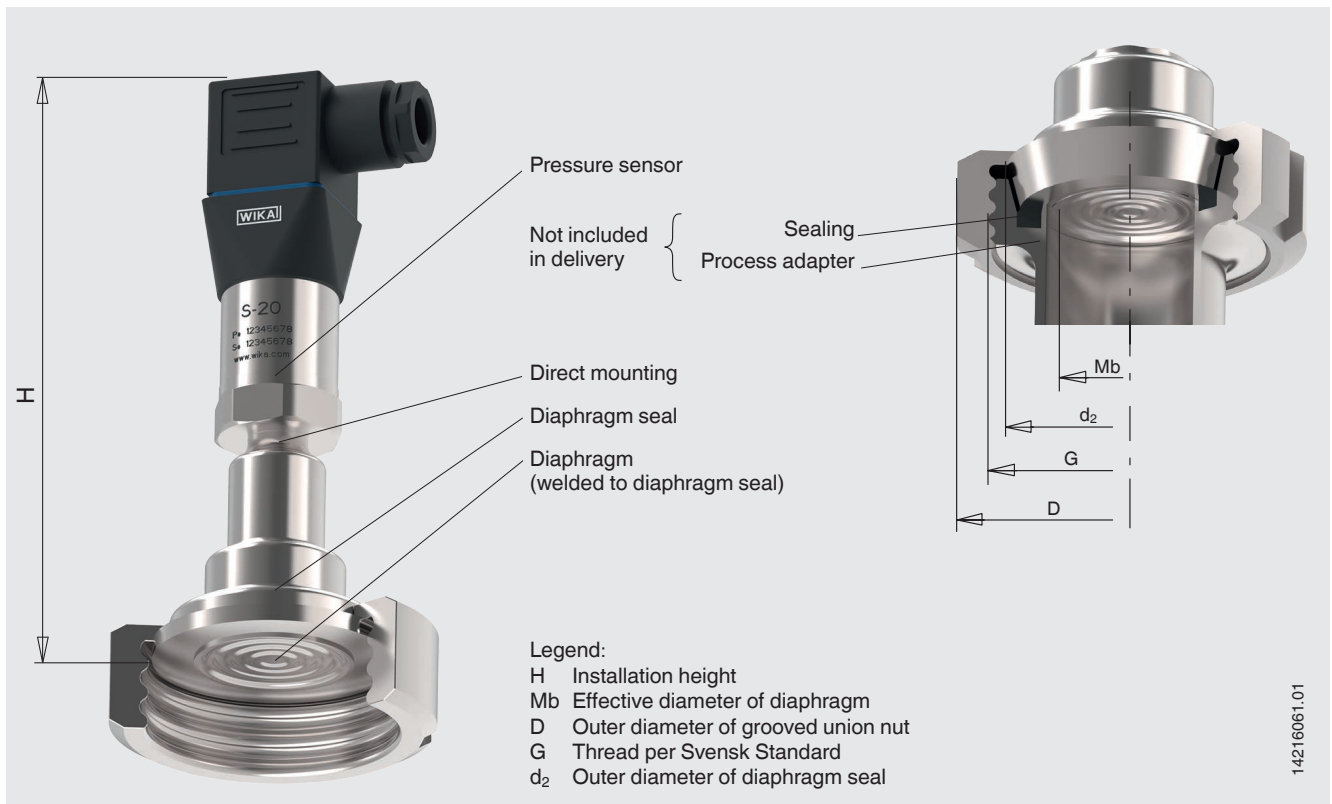
Angular connector DIN 175301-803 A				
Electrical connection	Ingress protection ¹⁾	Wire cross-section	Cable Ø	Permissible temperature
with mating connector	IP65	max. 1.5 mm ²	6 ... 8 mm	-30 ... +100 °C [-22 ... +212 °F]

1) Only applies when plugged in using a suitable mating connector that has the appropriate ingress protection.

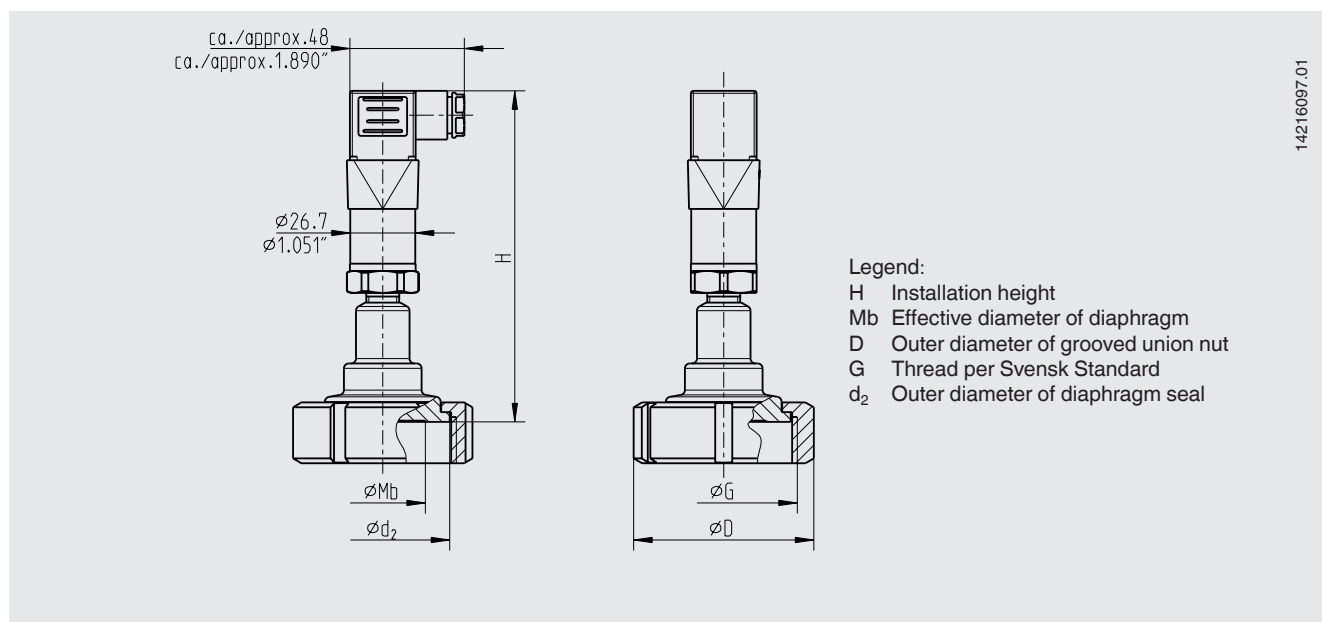
Connection diagram

Angular connector DIN 175301-803 A, 2-wire		
	U+	1
	U-	2

Installation example, model DSS19T



Dimensions in mm [in]



Type of process connection: Svensk Standard for food

Pipe standard: SS 1145

DN	For pipe Outer \varnothing x wall thick- ness	PN	Dimensions in mm [in]				
			H	D	G	d_2	Mb
1 1/2"	38 x 1.2 [1.496 x 0.047]	40	136 [5.354]	74 [2.913]	RD 60 x 1/6 [2.362 x 1/6]	55 [2.165]	35 [1.378]
2"	51 x 1.2 [2.008 x 0.057]	40	138 [5.433]	84 [3.307]	RD 70 x 1/6 [2.756 x 1/6]	65 [2.559]	45 [1.772]

Certificates (option)

- 3.1 inspection certificate per EN 10204 (e.g. material proof for wetted metallic parts, calibration certificate)
- 3.1 calibration certificate (list of single measured values; 5 measuring points)

Approvals and certificates, see website

Ordering information

Scale range / Process connection (type of process connection, pipe standard, pipe dimension) / Material of wetted parts / Certificates

© 04/2017 WIKA Alexander Wiegand SE & Co. KG, all rights reserved.
The specifications given in this document represent the state of engineering at the time of publishing.
We reserve the right to make modifications to the specifications and materials.

