

CA 2096

Backflow preventers with non-verifiable reduced pressure zone

Technical Data Sheet



Description

The CA 2096 backflow preventer is a device with 2 check valves separated with a zone connected to the atmosphere. The closing of this chamber is due to a closing system linked to the upstream valve. In case of upstream pressure drop or downstream overpressure with leaking second check valve, the middle section is open to the atmosphere, this separates the upstream and downstream circuits and prohibits any polluted water backflow in the device.



CA 2096

Backflow preventers with non-verifiable reduced pressure zone

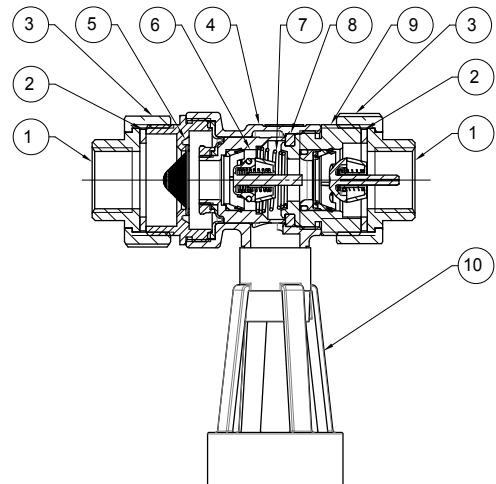
DN		PFA in bar	Acoustic group	Ref.	Weight Kg
"	mm				
1/2	15	10	I	149B3781	0,6
3/4	20	10	II	149B3782	0,6

Technical features

Operating temperature	Maxi. 65 °C
Permissible operating pressure (PFA) in water	10 bar
Connection	Female/female, BSP
Mediums	Clears water

Nomenclature and materials

N°	Description	Materials	EURO	ANSI
1	Nipple	Brass		
2	Seal	EPDM		
3	Nut	Brass		
4	Body	Brass		
5	Filter connection	Brass + Stainless steels		
6	Upstream valve	Brass-Hostaform-Stainless steels-EPDM		
7	Relief valve spring	Stainless steels		
8	Relief valve seal	Silicone		
9	Downstream valve	Brass-Hostaform-Stainless steels-EPDM		
10	Funnel	ABS		



Approvals



International construction Standards :

EN 1717 - EN14367

Thread connection according to EN ISO 228-1 or ISO 7.1

Application

The backflow preventers with non-verifiable reduced pressure zone CA 2096 is designed to protect low risk or intermittent risk installations which nevertheless require a backflow prevention system : domestic heating units < 70 kw, vending machines, certain laboratory equipment.

Installation

A clear area of 150 mm around the valve should be maintained to allow ease maintenance and installation. The valve should not be installed where there is any possibility of the air gap becoming submerged or flooded.

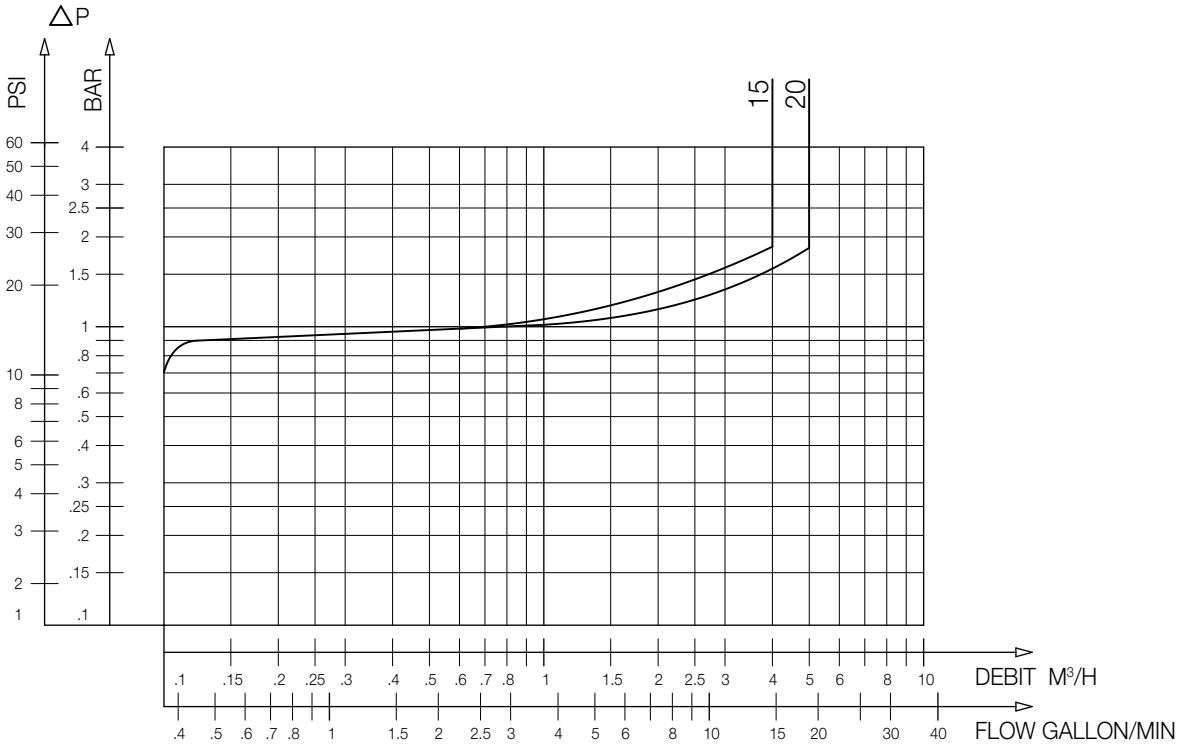
Directions for installation :

- Total accessibility
- Horizontal position
- non-submersible installation
- purge carefully all air from the installation (non polluted atmosphere)
- the discharge valve must be able to get the discharge flow rate
- protection against frost or extreme temperatures

Operation

Direction for use :

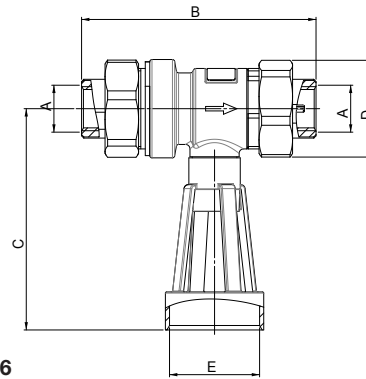
- Solid line: Valve completely open



CA 2096 - Headloss chart

Sizing

DN	A	B	C	D	E
mm	"	mm	mm	mm	mm
15	1/2	105	99	44	40
20	3/4	105	99	44	40



CA 2096

The descriptions and photographs contained in this product specification sheet are supplied by way of information only and are not binding.

Socla reserves the right to carry out any technical and design improvements to its products without prior notice. Warranty : All sales and contracts for sale are expressly conditioned on the buyer's assent to Socla terms and conditions found on its website at www.socla.com. Socla hereby objects to any term, different from or additional to Socla terms, contained in any buyer communication in any form, unless agreed to in a writing signed by an officer of Socla.



A WATTS Brand

Socla sas

365 rue du Lieutenant Putier • 71530 Virey-Le-Grand • France

Tel. +33 03 85 97 42 00 • Fax +33 03 85 97 42 42

contact@wattswater.com • www.socla.com

ISO 9001 version 2015 / ISO 18001