

# C 717

Control valves

Altitude valve mechanical 2 position float operated

## Technical Data Sheet



## Description

The control valves C 717 regulates mechanically a volume of water in a tank thanks to a 2 position float. It closes at a preset high water level, opens at a given low water level.



### C 717

Control valves - Altitude valve mechanical 2 position float operated

DN " mm	PN	PFA in bar	PS				Cat	Ref.	Weight* Kg
			L1	L2	G1	G2			
1 1/2	10/16/25	25	25	25	x	x	4.3	<b>149B050498</b>	8
40	10/16/25	25	25	25	x	x	4.3	<b>149B010543</b>	12
50	10/16/25	25	25	25	x	x	4.3	<b>149B010544</b>	13
65	10/16/25	25	25	25	x	x	4.3	<b>149B71706N</b>	21
80	10/16/25	25	20	25	x	x	4.3	<b>149B71708N</b>	26
100	10/16	16	16	16	x	x	4.3	<b>149B71710N</b>	39
125	10/16	16	16	16	x	x	4.3	<b>149B71711N</b>	59
150	10/16	16	16	16	x	x	4.3	<b>149B71712N</b>	73
200	10	10	10	10	x	x	4.3	<b>149B71714N</b>	122
250	10	10	10	10	x	x	I	<b>149B71715N</b>	208
300	10	10	10	10	x	x	I	<b>149B71716N</b>	328

\* Weight of valve alone

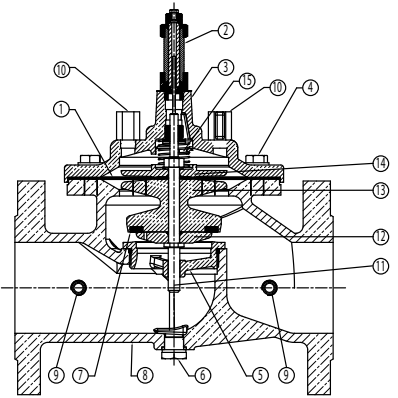
#### Important notice :

The indicated pressure for the different categories of fluids (L1/L2/G1/G2) is under no condition a guarantee of use. Therefore, it is essential to validate the use of products under given operating conditions.

Technical features	
Operating temperature	-10 °C to 90 °C
Upstream pressure	Mini. : 1 bar / Maxi. : 25 bar (see table above)
Connection	DN 40 to 300 mm : with flange PN (see table above) DN 1"1/2 : threaded F/F
Mediums	Clear water 2 mm
Vertical mounting	In optional

## Nomenclature and materials

N°	Description	Materials	EURO	ANSI
1	Membrane	EPDM / Polyamide		
2	Position indicator with purge	Brass and stainless steel	EN 12164-CuZn39Pb3-R360min EN 10088-3-X5CrNi18-10 EPDM Cu	ASTM B36 / ASTM B121 AISI 304 / ASTM A240
3	Valve head high pressure	Ductile iron / Epoxy Int/Ext	EN 1563 EN-GJS-400-15 except DN 125 : EN 1561-EN-GJL-300	ASTM A536 60-40-18 ASTM A48 class 45B
4	Nuts and bolts	Stainless steel	EN 10088-3-X5CrNi18-10	AISI 304 / ASTM A240
5	Removable streamlined	Stainless steel	EN 10213-GX5CrNi19-10+AT	AISI 304 / ASTM A240
6	Body drain plug	Brass	EN 12164-CuZn39Pb3-R360min	ASTM B36 / ASTM B121
7	Reversible seal	EPDM		
8	Body high pressure	Ductile iron / Epoxy Int/Ext 150µ ± 50µ	EN 1563 EN-GJS-400-15 except DN 125 : EN 1561-EN-GJL-300	ASTM A536 60-40-18 ASTM A48 class 45B
9-10	Valve	Chromed brass		
11	Stem	Stainless steel	EN10213-GX5CrNi19-10-AT	AISI 304 / ASTM A240
12	Flange	Stainless steel	EN10088-3X5CrNi18-10	AISI 304 / ASTM A240
13	Seal carrier	Bronze (DN40-50) Cast iron / Epoxy	EN1982 CuSn5Zn5Pb2-C GS EN1561-EN-GJL-250	ASTM A 48 35 B
14	Plate	Bronze (DN40-50) Cast iron / Epoxy	EN1982 CuSn5Zn5Pb2-C GS EN1561-EN-GJL-250	ASTM A 48 35 B
15	Spring	Stainless steel	EN10270-3 X10CrNi18-8	AISI 302



standard flow valve

## Approvals

ACS  PED 2014/68/UE

### International construction Standards :

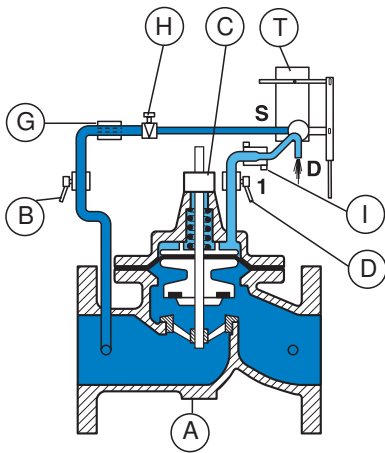
Directive 2014/68/UE

Connection with flange PN according to EN 1092-2

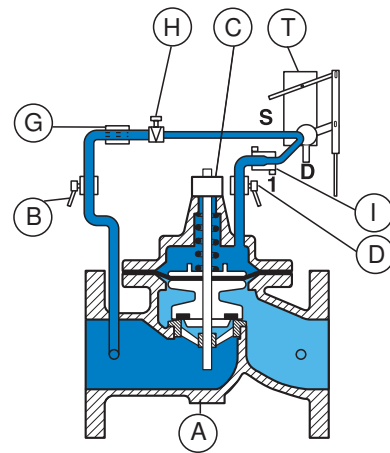
## Application

As regulating a volume and not a level, the control valves C 717 should favour the filling during the night, the mechanical working allows self-operating of the valve.

# Operation

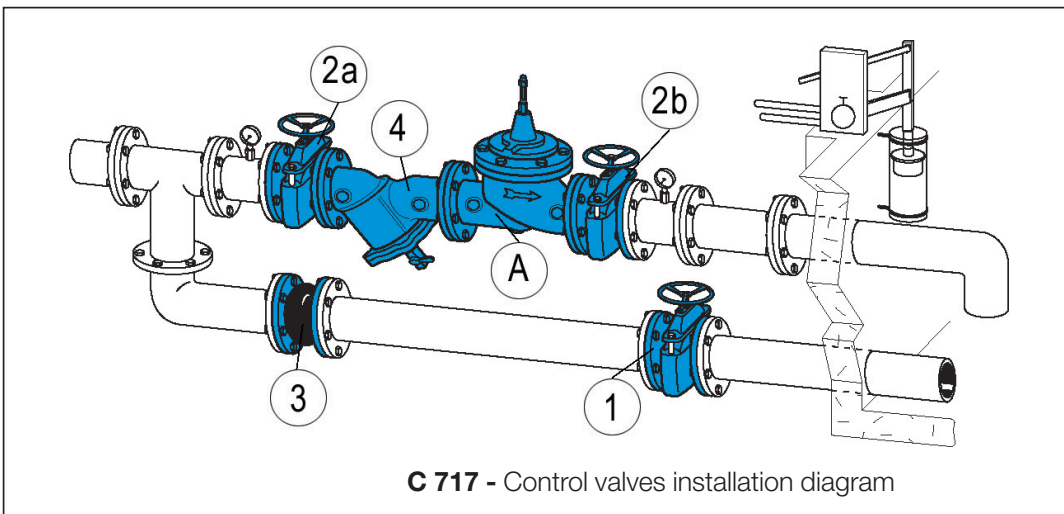


At low level, (beginning of filling) the valve 3 ways connects the upper chamber to the atmosphere (link 1 to D). The main valve (A) opens.



At high level (end of filling) the valve 3 ways connects the upstream pressure to the upper chamber (link S to 1). The main valve (A) closes.

# Installation



N°	Description
A	Main valve
B	Upstream isolation valve
C	Position indicator with drain
D	Chamber isolation valve
G	Filter
H	Orifice-needle valve
I	Flow control
T	Pilot C717
1	Isolation valve of the by-pass
2a	Upstream isolation valve of the main water pipe
2b	Downstream isolation valve of the main water pipe
3	Rubber expansion joint
4	Filter

**Pilot setting ranges :**

- Maximum difference between levels : 3,60m

**Installation :**

- Install a strainer upstream
- Install an air relief valve down-stream or at the high point near the control valve
- Vertical setting up : change the spring of the main valve (option 7)

**Other types :**

- C737

**NB : Connecting pipe 4/6mm from the pressure tap to the valve not included**

## Maintenance

---

We recommend a maintenance programme of between 6 to 12 months according to the quality of the water and to the pressure :

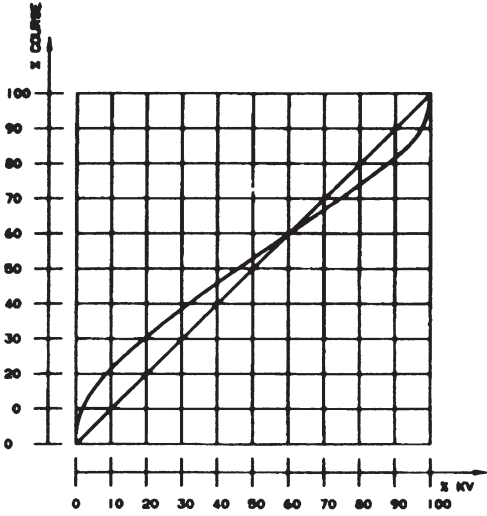
- Purging the upper chamber
- Flushing the valves not frequently used
- Checking and cleaning filters of the pilot circuit and main piping system.
- Checking the working (pressures)

Every 5 years, general maintenance is advisable :

- Dismantling
- Cleaning of main valve and pilot valve
- Preventive removing of the seals (set available - please consult us)
- Reassembling and tests.

# Operating characteristics

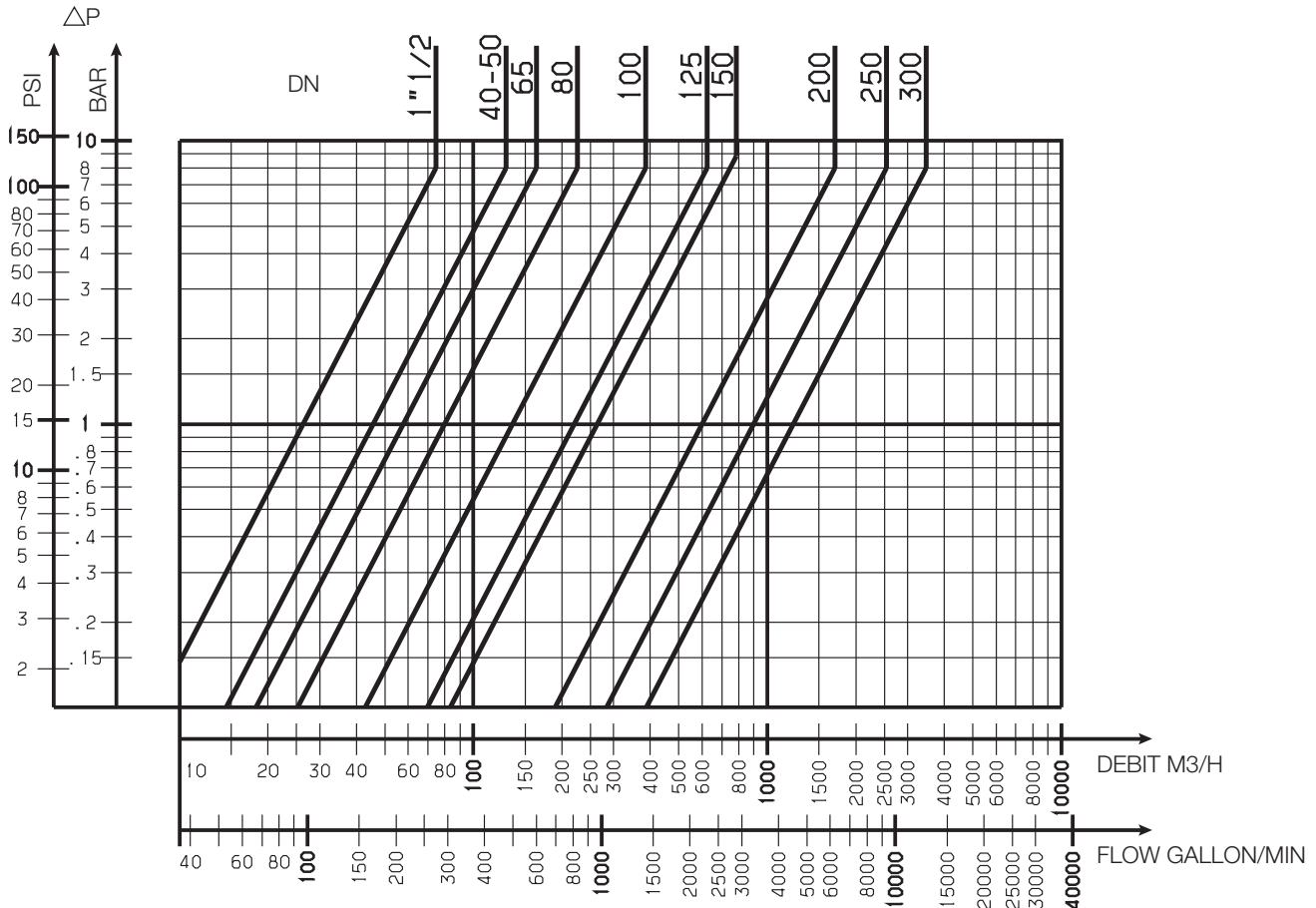
## Choice of base valve



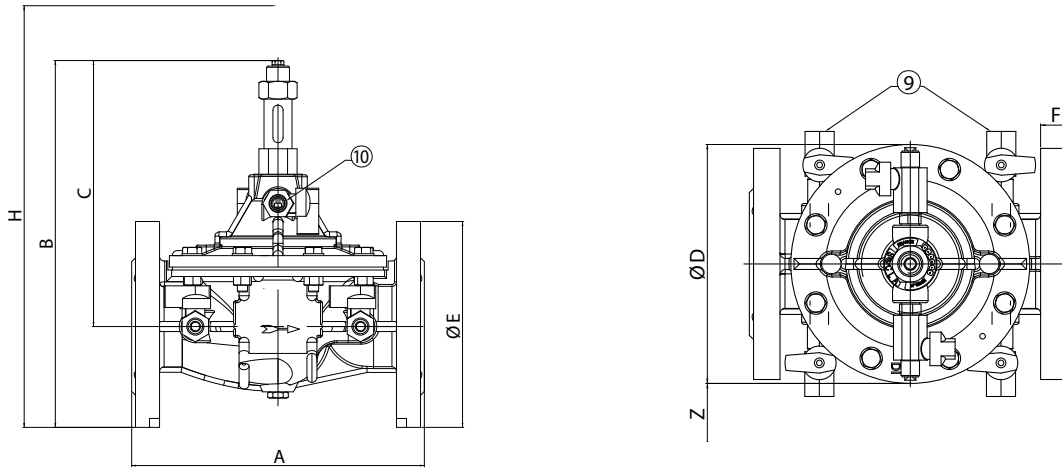
DN	Mini	Maxi	KV		ζ	PN	PFA	PN	PFA	PN	PFA
			m³/h	L/s							
1" 1/2	0,520	20,34	26,35	7,32	5,78	10/16	16	25	25	-	-
40	0,675	32,00	45,66	12,68	1,93	10/16	16	25	25	-	-
50	0,675	32,00	45,66	12,68	4,70	10/16	16	25	25	-	-
65	0,855	54,00	57,75	16,08	8,39	10/16	16	25	25	-	-
80	1,600	82,00	80,00	22,22	10,00	10/16	16	25	25	-	-
100	2,720	127,00	136,00	37,78	8,47	10/16	16	25	25	-	-
125	4,400	199,00	220,00	61,11	7,90	10/16	16	25	25	-	-
150	5,280	286,00	264,00	73,33	11,38	10/16	16	25	25	-	-
200	13,500	509,00	600,00	66,67	6,96	10	10	25	25	16	16
250	25,000	795,00	900,00	50,00	7,56	10	10	25	25	16	16
300	40,900	1145,00	1224,00	40,00	8,47	10	10	25	25	16	16

## Headloss chart

Solid line : Base valve completely open



# Sizing



## standard flow valve

DN	A	B	C	Ø D	Ø E	F	H	Z	9	10
”	mm	mm	mm	mm	mm	mm	mm	mm	”	”
1 1/2(F/F)	230	267	210	170	6 pans <sup>(1)</sup>	-	400	254	1/4	3/8
40	230	285	210	170	152	23	400	254	1/4	3/8
50	230	285	210	170	161	23	400	254	1/4	3/8
65	290	352	257	200	185	24	470	254	3/8	1/4
80	310	372	272	217	200	26	500	254	3/8	3/8
100	350	423	302	241	235	28	510	254	3/8	3/8
125	400	506	371	296	270	30	570	254	3/8	3/8
150	480	551	401	363	300	20	650	254	3/8	3/8
200	600	709	529	467	360	22	750	254	3/8	3/8
250	730	844	631	587	425	24	900	254	1/2	1/2
300	850	975	730	680	486	27	1100	254	1/2	1/2

(1) 78/plats

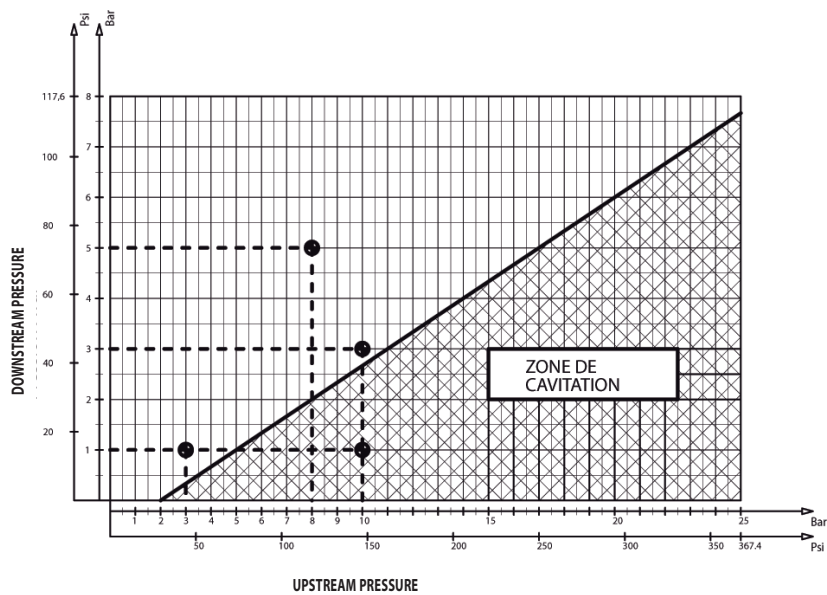
## Other operating characteristics

### Cavitation

A too large differential pressure and a low downstream pressure may result in damage to the valve by cavitation.

To avoid it, refer to the cavitation curve and if needed, reduce the differential pressure by installing and connecting two or more control valves in same line (consult us).

Stainless steel seat and counter seat are standard.



The descriptions and photographs contained in this product specification sheet are supplied by way of information only and are not binding.

Socla reserves the right to carry out any technical and design improvements to its products without prior notice. Warranty : All sales and contracts for sale are expressly conditioned on the buyer's assent to Socla terms and conditions found on its website at [www.socla.com](http://www.socla.com). Socla hereby objects to any term, different from or additional to Socla terms, contained in any buyer communication in any form, unless agreed to in a writing signed by an officer of Socla.



A WATTS Brand

Socla sas

365 rue du Lieutenant Putier • 71530 Virey-Le-Grand • France

Tel. +33 03 85 97 42 00 • Fax +33 03 85 97 42 42

[contact@wattswater.com](mailto:contact@wattswater.com) • [www.socla.com](http://www.socla.com)

ISO 9001 version 2015 / ISO 18001