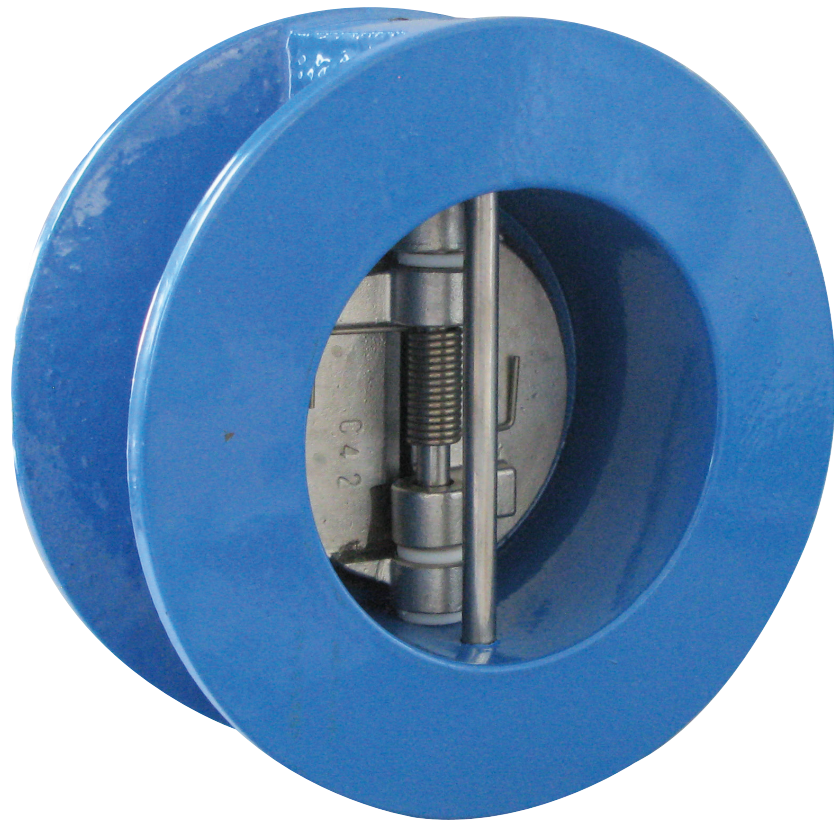


895V

Non-return valve with dual-plate
05 System

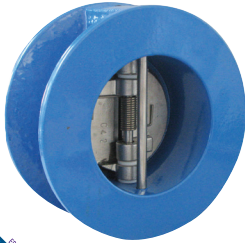
Technical Data Sheet



Description

The 895 non-return valve's tightness is ensured by the spring force distribution on the plates guaranteeing a good press on the seat's seal.

- Operating position : horizontal and vertical
- Compact
- Very low head loss
- FKM seal



895 V

Non-return valve with dual-plate - 05 System

DN	PN	PFA in bar	PS in bar				Cat.	Ref.	Weight Kg
			L1	L2	G1	G2			
2	50	10/16	16	16	16	16	I	149B3000V	1,2
2 1/2	65	10/16	16	16	16	15	I	149B3001V	1,8
3	80	10/16	16	16	16	12	I	149B3002V	2,9
4	100	10/16	16	16	16	10	I	149B3003V	3,9
5	125	10/16	16	16	16	0,5	I	149B3004V	5,8
6	150	10/16	16	13	16	0,5	I	149B3005V	8
8	200	10/16	16	10	16	0,5	I	149B3006V	14
10	250	10/16	16	10	16	0,5	I	149B3007V	22
12	300	10/16	16	10	16	0,5	I	149B3008V	34
16	400	10/16	16	10	16	x	I	149B3010V	83

Important notice :

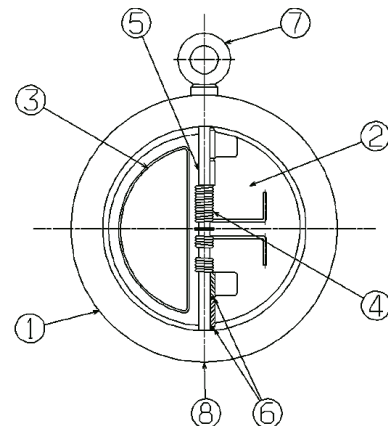
The indicated pressure for the different categories of fluids (L1/L2/G1/G2) is under no condition a guarantee of use. Therefore, it is essential to validate the use of products under given operating conditions. The operating instructions are available on our website www.socla.com or by requesting from our sales department.

Technical features

Operating temperature	-10 °C to 100 °C
Permissible operating pressure (PFA) in water	See table above
Maximum permissible pressure (PS) other mediums	See table above
Connection	Mounting between flanges, PN : see table
Mediums	Not loaded liquids, gas, hydrocarbons

Nomenclature and materials

N°	Description	Materials	EURO	ANSI
1	Body	DN 50 to 150 Cast iron / Epoxy	EN-GJL-250	ASTM A 48 35 B
		DN 200 to 400 Cast iron / Epoxy	EN-GJS-400.15	ASTM A 536 60-40-18
2	Plates	Stainless steel	X5CrNi18-10	AISI 304
3	Seal	FKM		
4	Spring	Stainless steel	X5CrNiMo17-12-2	AISI 316
5	Stem	Stainless steel	X5CrNiMo17-12-2	AISI 316
6	Bearings	PTFE		
7	Eye bolt	DN > 150	Steel XC15	
8	Plug	Brass		



Approvals



International construction Standards :

Directive 2014/68/UE
 Flange drilling according to EN 1092-2
 Overall dimensions according to EN558-1 series 50

Application

Pumping, water distribution, main circuits, hydrocarbons.
 Use of these valves on circuits equipped with piston pump or piston compressor is not recommended.

Installation

Installation :

Before putting valve into operation, check that:

- the working conditions are compatible with the details given on the identification plate, the instruction notice and the manufacturer's detail,
- the valve works effectively when tried (carry out a few opening and closing operations of the closing system),
- the valve is free-pollution inside.

On a new installation or after maintenance, the circuit must be rinsed with the valve completely open in order to remove solid matter which may damage the internal parts of the valve.

Commissioning :

The installation should be put under pressure progressively to avoid damage which might occur to internal components.

Make sure that when flow stops the valve maintains pressure well and that there is no water-hammer which might damage the valve or installation.

If there is water-hammer, an anti-water hammer system must be added to the installation.

During a prolonged stoppage, a change in the state of the fluid may result in damage when the installation is brought back into service (solidification...).

Establish an adequate procedure program for cleaning the system.

Maintenance

• Removing :

1. Unscrew the 4 plugs (N° 5) and remove the 4 seals (N° 4).
Tip over the body (N° 1) if necessary
2. Remove the upper stem (N° 3)
3. Use this to remove the lower stem (N° 3)

WARNING: Keep the springs (N° 8 and 8*) in compression during this operation.

Remove the 2 plates (N° 9) and the bearings (N° 6 and 6*)

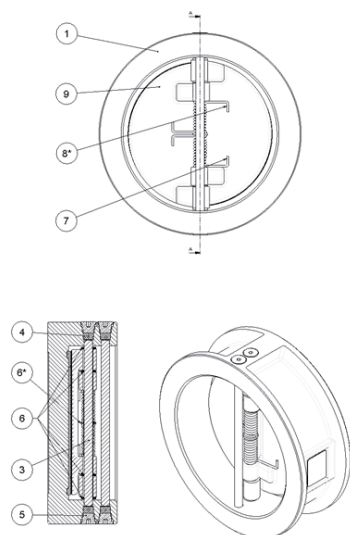
• Reassembly :

Before reassembling the valve, check the condition of the seal. If necessary, clean and grease it by using appropriate grease.

1. Put in place 2 seals (N° 5) on the same side of the body (N° 1)
2. Thread 2 plugs (N° 5) on the same side with a stop on the body (N° 1)
3. Place the 2 wings flat (N° 9) on the body (N° 1)
4. Engage the lower stem (N° 3) by sliding it into the body (N° 1), while positioning in the following order :
 - The first bearing (N° 6)
 - The first ear of the plate (N° 9)
 - The second bearing (N° 6)
 - The first ear of the second plate (N° 9)
 - The spring (N° 7)
 - The bearing (N° 6*)
 - The spring (N° 8*)
 - The second ear of the plate (N° 9)
 - The third bearing (N° 6)
 - The second ear of second plate (N° 9)
 - The fourth bearing (N° 6)
5. Push the stem against the seal (N° 4) by using the second stem to complete the operation
6. Put in place the upper stem (N° 3)
7. Place the 2 last seals (N° 4)
8. Screwed the 2 last plugs (N° 5)
9. Tighten then at Nm torques

Once the reassembly completed, test the device to verify its tightness.

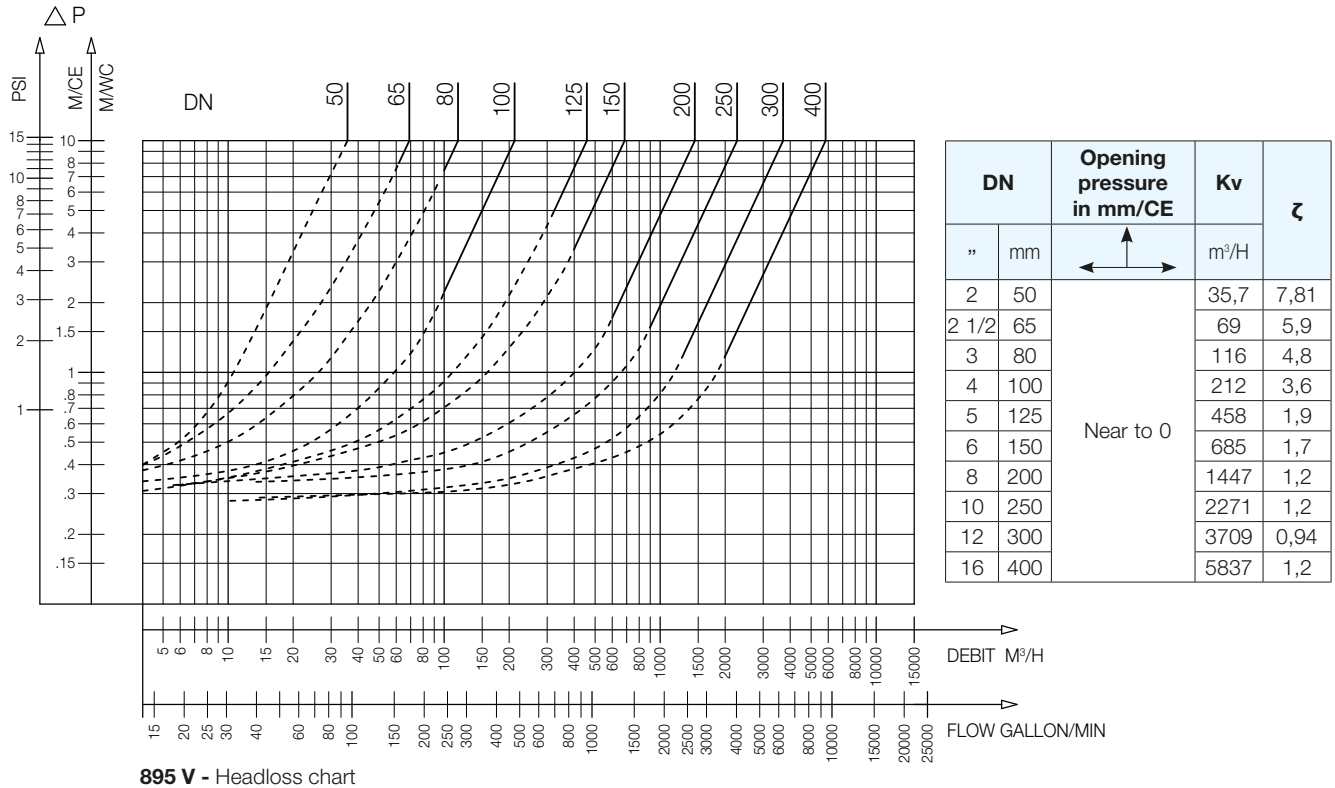
Type 825



Operation

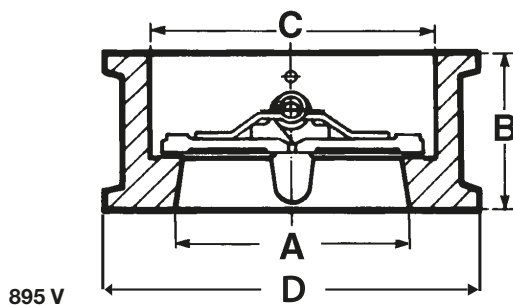
Direction for use :

- Solid line: Valve completely open
- Dotted line: opening stage of valve



Sizing

	A	B	C	D
"	mm	mm	mm	mm
2	50	54	60	109
2 1/2	65	54	73	129
3	80	57	89	144
4	100	64	114	164
5	125	70	141	194
6	150	76	168	220
8	200	95	219	275
10	250	108	273	330
12	300	143	324	380
16	400	191	410	491



The descriptions and photographs contained in this product specification sheet are supplied by way of information only and are not binding.

Socla reserves the right to carry out any technical and design improvements to its products without prior notice. Warranty : All sales and contracts for sale are expressly conditioned on the buyer's assent to Socla terms and conditions found on its website at www.socla.com. Socla hereby objects to any term, different from or additional to Socla terms, contained in any buyer communication in any form, unless agreed to in a writing signed by an officer of Socla.



A WATTS Brand

Socla sas

365 rue du Lieutenant Putier • 71530 Virey-Le-Grand • France
 Tel. +33 03 85 97 42 00 • Fax +33 03 85 97 42 42
contact@wattswater.com • www.socla.com
 ISO 9001 version 2015 / ISO 18001