

892

Non-return axial guided valve
02 System

Technical Data Sheet



Description

A non-return valve is compatible with many types of fluids and can be adapted to a wide range of installations. However, each of these installations comes with their own particular constraints : mechanical, hydraulic, physical or chemical. The O2 system offers the best compromise between hydraulic performance, ruggedness, sealing-tightness and cost effectiveness with any kind of liquids (subject to a validation of our recommendation service).

Our valves meet the requirements of the Pressure Equipment Directive 2014/68/UE. This range extends from 80 to 500 mm. By its technology, it operates in any position for a lot of applications. It's compact and it doesn't generate hammering.

- Internal and external Epoxy coating of 250µm minimum increasing resistance to corrosion
- Hydraulic shape means very little energy loss
- Excellent sealing tightness ensured by an EPDM flat seal
- Bronze guide ring enables a better movement of the closing system and prevents premature wear
- Stainless steel spring allowing system to function in any position
- Between flanges assembly PN10/16/25/ ASA150 and PN40 for DN 80, 100, 150, 200 and 250

892

Non-return axial guided valve - O2 System



DN		PFA in bar	PS in bar				Cat.	Ref.	Weight Kg
"	mm		L1	L2	G1	G2			
3	80	40	25	40	12	40	I	149B2731	3,3
4	100	40	20	40	10	40	I	149B2732	5
6	150	25	13	25	0,5	23	I	149B2734	13
6	150	40	13	40	0,5	23	I	149B2735	13
8	200	16	10	16	0,5	16	I	149B2467	23,5
8	200	40	10	40	0,5	17	I	149B032459	24
10	250	25	10	25	0,5	14	I	149B2468	33
10	250	40	10	40	0,5	14	I	149B032460	33,5
12	300	25	10	25	0,5	11	I	149B2460	59
14	350	16	10	16	0,5	10	I	149B2461	103
14	350	25	10	25	0,5	10	I	149B032461	103
16	400	25	10	25	0,5	8	I	149B2462	124
20	500	25	10	25	0,5	7	I	149B2463	237

Important notice :

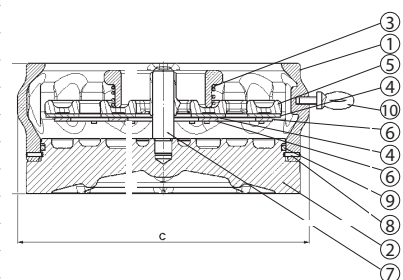
The indicated pressure for the different categories of fluids (L1/L2/G1/G2) is under no condition a guarantee of use. Therefore, it is essential to validate the use of products under given operating conditions. The operating instructions are available on our web site www.socla.com or by requesting from our sales department.

Technical features

Operating temperature	-10°C to 100°C (80°C for DN80/100/150)
Permissible operating pressure (PFA) in water	See table above
Maximum permissible pressure (PS) other mediums	See table above
Connection	Between flanges PN (see table)
Mediums	Clear liquids, gas

Nomenclature and materials

N°	Description	Materials	EURO	ANSI
1	Body	Ductile iron/Epoxy	EN-GJS-400.15	ASTM A 536 60-40-18
2	Seat	Ductile iron/Epoxy	EN-GJS-400.15	ASTM A 536 60-40-18
3	Spring	Stainless steel	X10CrNi18-8	AISI 302
4	Seal	(except DN 80-150 mm) EPDM		
5	Closing system	DN 80-150 mm	PU	
		Others DN	Stainless steel	GX5CrNi18-10 / AISI 304
6	Plates	(except DN 80-150 mm)	Stainless steel	X5CrNi18-10 / AISI 304
7	Stem	DN 80-150 mm	Brass	CuZn39Pb2
		Others DN	Bronze	CuSn5Zn5Pb5-C / ASTM B 505
8	Screw	Stainless steel	X5CrNi18-10	AISI 304
9	O-ring	EPDM		
10	Disc holding	Galvanised steel		



Approvals



International construction Standards :

CE conformity directive 2014/68/UE
Flange drilling according to EN 1092-2
Size according to EN558 series 51 (DN 250-500)

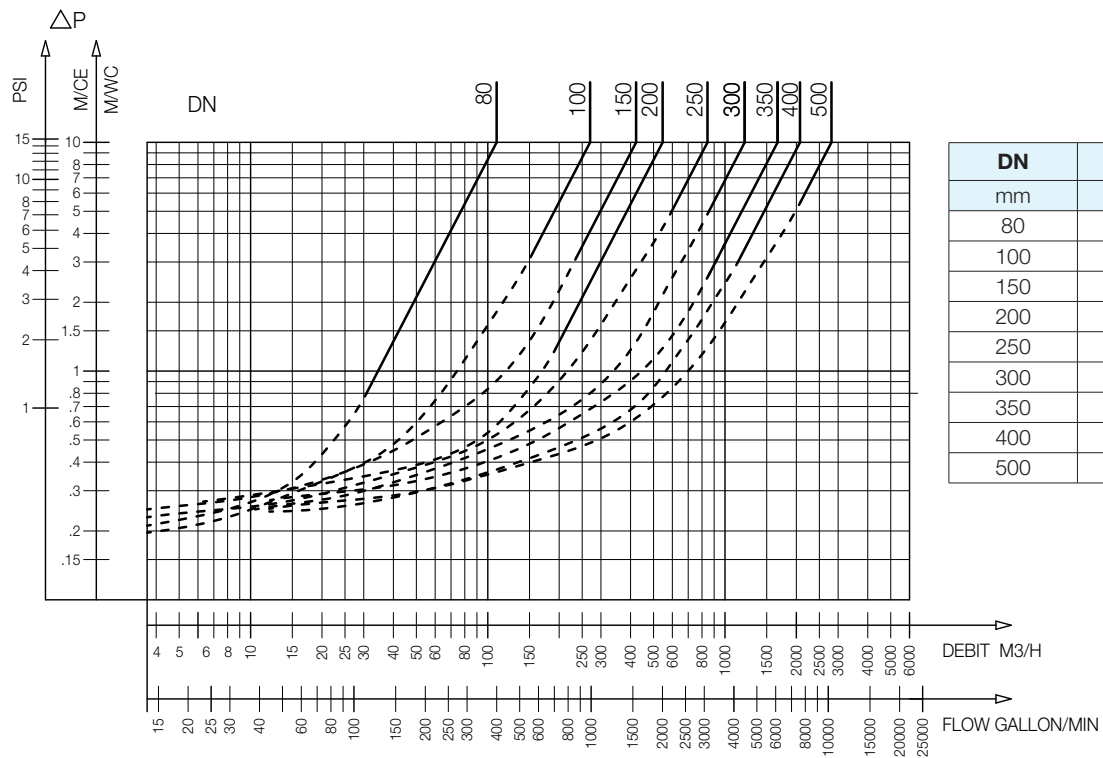
Application

Booster pumps, supply, industry.

Operation

Direction for use :

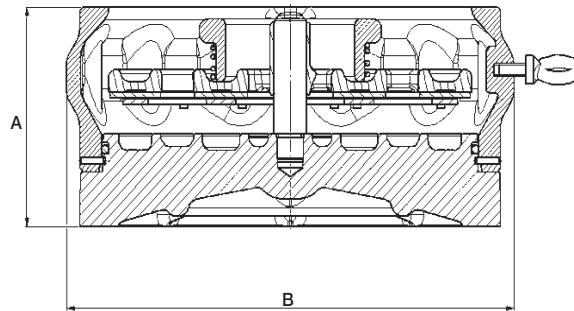
- Solid line : Valve completely open
- Dotted line : opening stage of valve



892 - Headloss chart

Sizing

DN	A	B				
		PN10	PN16	PN25	PN40	ASA150
80	80	142	142	142	142	142
100	100	162	162	170	170	170
150	150	218	218	225	225	218
200	129	273	273	-	-	273
200	129	-	-	285	285	-
250	140	328	328	339	-	328
250	140	-	-	-	355	-
300	181	381	381	405	-	405
350	222	440	440	-	-	440
350	222	-	-	460	-	-
400	232	493	493	513	-	513
500	292	596	623	623	-	596



892

The descriptions and photographs contained in this product specification sheet are supplied by way of information only and are not binding.

Socla reserves the right to carry out any technical and design improvements to its products without prior notice. Warranty : All sales and contracts for sale are expressly conditioned on the buyer's assent to Socla terms and conditions found on its website at www.socla.com. Socla hereby objects to any term, different from or additional to Socla terms, contained in any buyer communication in any form, unless agreed to in a writing signed by an officer of Socla.



A WATTS Brand

Socla sas

365 rue du Lieutenant Putier • 71530 Virey-Le-Grand • France

Tel. +33 03 85 97 42 00 • Fax +33 03 85 97 42 42

contact@wattswater.com • www.socla.com

ISO 9001 version 2015 / ISO 18001