

882

Non-return axial guided valve
02 System

Technical Data Sheet



Description

A non-return valve is compatible with many types of fluids and can be adapted to a wide range of installations. However, each of these installations comes with their own particular constraints : mechanical, hydraulic, physical or chemical. The O2 system offers the best compromise between hydraulic performance, ruggedness, sealing-tightness and cost effectiveness with any kind of liquids (subject to a validation of our recommendation service).

Our valves meet the requirements of the Pressure Equipment Directive 2014/68/UE. This range extends from 65 to 250 mm. By its technology, it operates in any position for a lot of applications. It's compact and it doesn't generate hammering.



Important notice :

The indicated pressure for the different categories of fluids (L1/L2/G1/G2) is under no condition a guarantee of use. Therefore, it is essential to validate the use of products under given operating conditions. The operating instructions are available on our web site www.socla.com or by requesting from our sales department.

882

Non-return axial guided valve - O2 System

DN		PFA in bar	PS in bar				Cat.	Ref.	Weight Kg
"	mm		L1	L2	G1	G2			
2 1/2	65	40	30	40	15	40	I	149B3040	2,7
2 1/2	65	40	40	40	40	40	II	149B3040C2	2,7
3	80	40	25	40	12	40	I	149B3041	4
3	80	40	40	40	40	40	II	149B3041C2	4
4	100	40	20	40	10	40	I	149B3042	6
4	100	40	40	40	40	40	II	149B3042C2	6
5	125	40	16	40	0,5	28	I	149B3043	7
5	125	40	40	40	28	40	II	149B3043C2	7
6	150	40	13	40	0,5	23	I	149B3044	11
6	150	40	440	40	23	33	II	149B3044C2	11
8	200	16	16	16	16	16	II	149B3045*	22
8	200	25	25	25	17	25	II	149B007936**	22
8	200	40	40	40	17	25	II	149B007937***	22
10	250	40	40	40	14	20	II	149B3046****	47
10	250	25	25	25	14	20	II	149B007938**	47

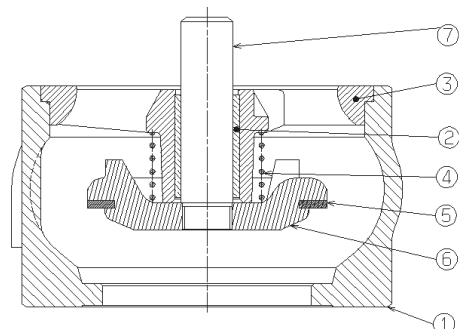
* PN 10-16 ASA 150
 ** PN 25
 *** PN 40
 **** PN 10-16-40 ASA 150

Technical features

Operating temperature	-10 °C to 100 °C
Permissible operating pressure (PFA) in water	See table above
Maximum permissible pressure (PS) other mediums	See table above
Connection	Between flanges PN (see table)
Mediums	Clear liquids, gas

Nomenclature and materials

N°	Description	Materials	EURO	ANSI	
1	Body	Ductile iron / Epoxy	EN-GJS-400-15	ASTM A 536 60-40-18	
2	Ring	Bronze	CuSn12		
3	Guide	Cast iron / Epoxy	EN-GJL-250	ASTM A 48 35 B	
4	Spring	Stainless steel	X10CrNi18-8	AISI 302	
5	Seal	EPDM			
6	Closing system	DN 65	Bronze	CuSn5Zn5Pb5-C	ASTM B 505
		Others DN	Cast iron / Epoxy	EN-GJL-250	ASTM A 48 35 B
7	Stem	Bronze	CuSn5Zn5Pb5-C	ASTM B 505	



Approvals



International construction Standards :
Directive 2014/68/UE
Flange drilling according to EN 1092-2

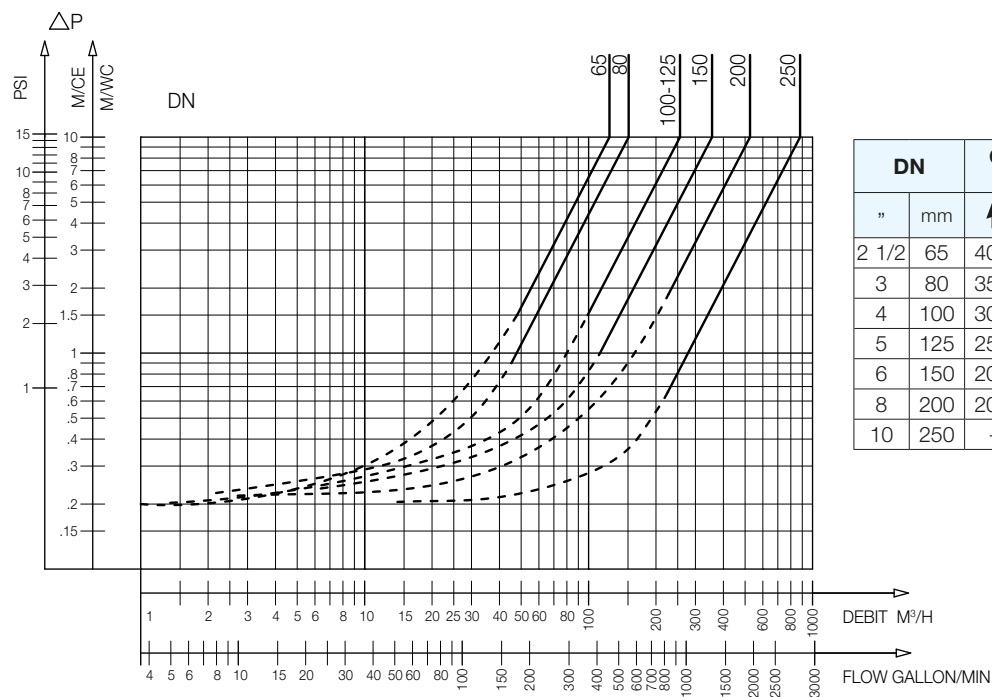
Application

Booster pumps, supply, industry.

Operation

Direction for use :

- Solid line : Valve completely open
- Dotted line : opening stage of valve

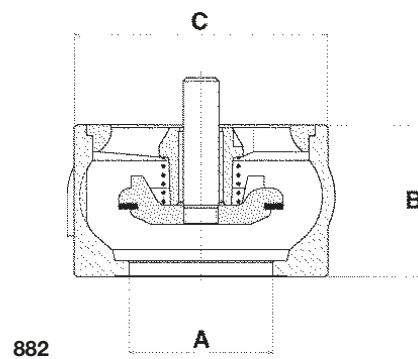


DN	Opening pressure in mm CE					Kv m³/H	ζ
	mm	↑	↓	↔	Without spring		
2 1/2	65	400	250	50	-	124,15	1,85
3	80	350	200	50	-	151,5	2,85
4	100	300	190	50	-	255,3	2,45
5	125	250	20	100	-	256,9	5,9
6	150	200	15	100	-	356,6	6,36
8	200	200	15	100	-	526,5	9,22
10	250	-	-	-	-	880,9	8

882 - Headloss chart

Sizing

A	B	C			
		PN 10/16	PN 25	PN 40	ASA 150
65	75	126	126	126	121
80	85	142	142	142	-
100	105	162	170	170	170
125	90	194	194	194	194
150	106	218	222	222	222
200	140	273	-	-	273
200	140	-	285	-	-
200	140	-	-	289	-
250	200	-	339	-	-
250	200	328	-	352	328



The descriptions and photographs contained in this product specification sheet are supplied by way of information only and are not binding.

Socla reserves the right to carry out any technical and design improvements to its products without prior notice. Warranty : All sales and contracts for sale are expressly conditioned on the buyer's assent to Socla terms and conditions found on its website at www.socla.com. Socla hereby objects to any term, different from or additional to Socla terms, contained in any buyer communication in any form, unless agreed to in a writing signed by an officer of Socla.



A WATTS Brand

Socla sas

365 rue du Lieutenant Putier • 71530 Virey-Le-Grand • France
 Tel. +33 03 85 97 42 00 • Fax +33 03 85 97 42 42
 contact@wattswater.com • www.socla.com
 ISO 9001 version 2015 / ISO 18001