

627E

Non-return valve with single plate
05 System

Technical Data Sheet



Description

Non-return valve with single stainless steel plate :

- Can be installed horizontally or vertically upwards
- Compact
- Robust and reliable
- Simple design, easy installation



627E

Non-return valve with single plate - 05 System

DN mm	PN	PFA in bar	PS in bar				Cat.	Ref.	Weight Kg
			L1	L2	G1	G2			
40	10/16	16	16	16	16	16	I	149G3560	0,78
50	10/16	16	16	16	16	16	I	149G3561	0,93
65	10/16	16	16	16	15	16	I	149G3562	1,39
80	10/16	16	16	16	12	16	I	149F021290	1,67
100	10/16	16	16	16	10	16	I	149F021292	2,03
125	10/16	16	16	16	0,5	16	I	149F021293	2,90
150	10/16	16	13	16	0,5	16	I	149F021294	4,39
200	10	10	10	10	0,5	10	I	149F021295	9,04
250	10	10	10	10	0,5	10	I	149F021296	15,45
300	10	10	10	10	0,5	10	I	149F021297	23,95

NB : PN16 version : Please consult us

Important notice :

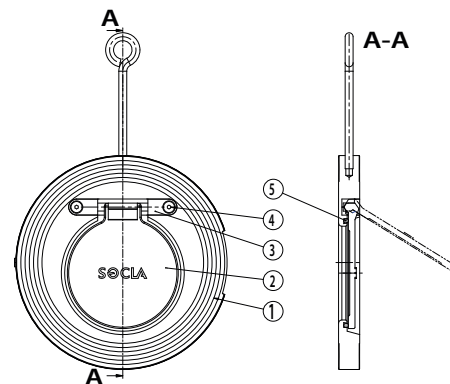
The indicated pressure for the different categories of fluids (L1/L2/G1/G2) is under no condition a guarantee of use. Therefore, it is essential to validate the use of products under given operating conditions. The operating instructions are available on our website www.socla.com or by requesting from our sales department.

Technical features

Operating temperature	-10 °C to 110 °C
Permissible operating pressure (PFA) in water	See table above
Maximum permissible pressure (PS) other mediums	See table above
Connection	Flanges drilled PN (see table)
Maximum service velocity	5m/s
Mediums	Clear liquids

Nomenclature and materials

N°	Description	Materials	EURO	ANSI
1	Body	Stainless steel	GX5CrNiMo19-11-2	AISI 316
2	Disc	Stainless steel	GX5CrNiMo19-11-2	AISI 316
3	Disc holding	Stainless steel	X5CrNi18-10	AISI 304
4	Screw	Stainless steel	X5CrNi18-10	AISI 304
5	Seal	EPDM		



Approvals



International construction Standards :

Directive 2014/68/UE

Flange drilling according to EN 1092-2

Application

Main circuits, pumping, industrial processes.

Installation

Installation :

Before putting valve into operation, check that:

- the working conditions are compatible with the details given on the identification plate, the instruction notice and the manufacturer's detail,
- the valve works effectively when tried (carry out a few opening and closing operations of the closing system),
- the valve is free-pollution inside.

On a new installation or after maintenance, the circuit must be rinsed with the valve completely open in order to remove solid matter which may damage the internal parts of the valve.

Commissioning :

The installation should be put under pressure progressively to avoid damage which might occur to internal components.

Make sure that when flow stops the valve maintains pressure well and that there is no water-hammer which might damage the valve or installation.

If there is water-hammer, an anti-water hammer system must be added to the installation.

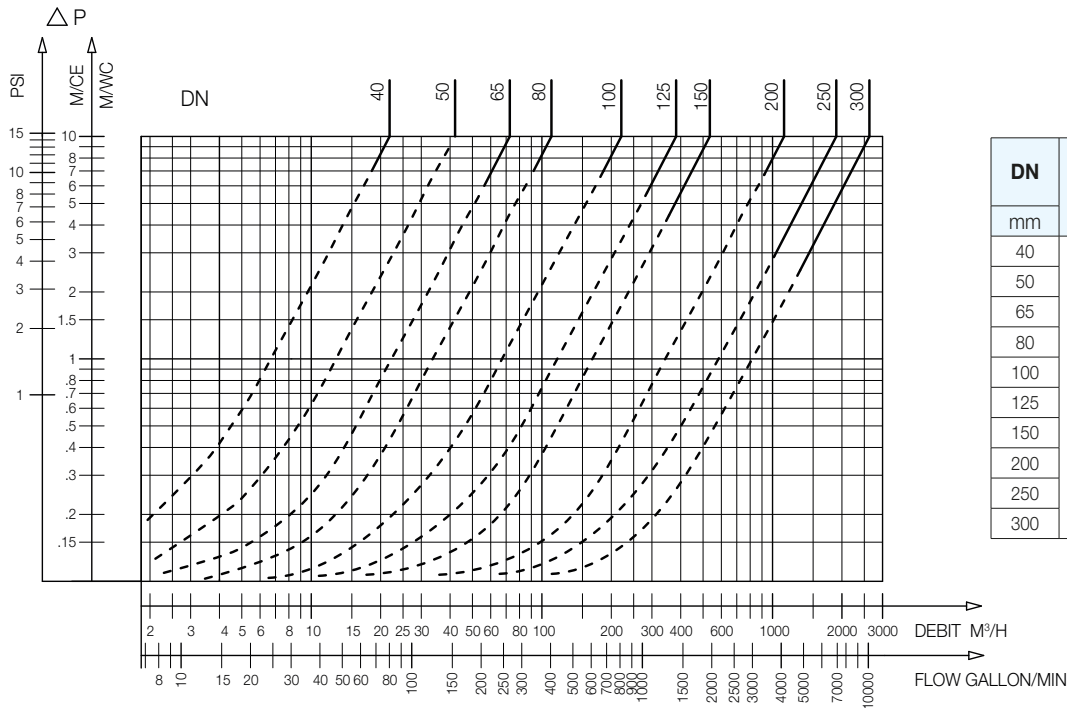
During a prolonged stoppage, a change in the state of the fluid may result in damage when the installation is brought back into service (solidification...).

Establish an adequate procedure program for cleaning the system.

Operation

Direction for use :

- Solid line: Valve completely open
- Dotted line: opening stage of valve

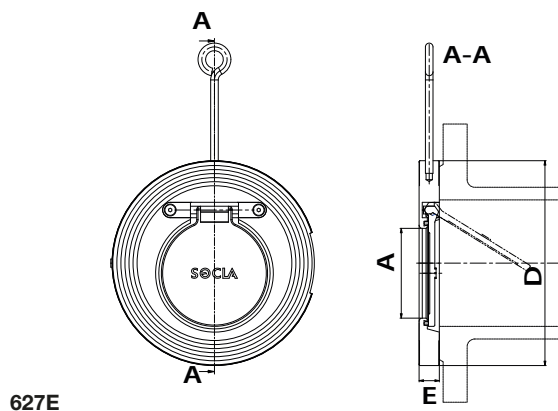


DN	Opening pressure in mm/CE	Kv	ζ
mm		m³/H	
40	Near to 0	21,9	8,55
50		42,0	
65		72,6	5,4
80		110,0	5,4
100		221,3	3,3
125		382,9	2,7
150		535,5	2,8
200		1122,0	2
250		1899,0	1,7
300		2637,4	3,4

627E - Headloss chart

Sizing

DN	A	D	E
mm	mm	mm	mm
40	22	94	16
50	32	106	16
65	42	129	16
80	53	144	16
100	71	162	16
125	94	194	16
150	114	220	19
200	164	275	28
250	199	331	32
300	240	380	38



627E

The descriptions and photographs contained in this product specification sheet are supplied by way of information only and are not binding.

Socla reserves the right to carry out any technical and design improvements to its products without prior notice. Warranty : All sales and contracts for sale are expressly conditioned on the buyer's assent to Socla terms and conditions found on its website at www.socla.com. Socla hereby objects to any term, different from or additional to Socla terms, contained in any buyer communication in any form, unless agreed to in a writing signed by an officer of Socla.



A WATTS Brand

Socla sas

365 rue du Lieutenant Putier • 71530 Virey-Le-Grand • France
 Tel. +33 03 85 97 42 00 • Fax +33 03 85 97 42 42
 contact@wattswater.com • www.socla.com
 ISO 9001 version 2015 / ISO 18001