

60S

Non-return foot valve

FL System

Technical Data Sheet



Description

This non-return foot valve is designed for clear water pumping systems with substantial flow, requiring large valves for supply systems. It guarantees excellent hydraulic performance.

- Operates in any position
- Reliable, robust, simple
- Minimum head loss
- Closing system : four legs reinforced guide, release spring anti-rotation
- Perfect sealing at high as at low pressure ensured by a flat seal
- Long axial guiding



60S

Non-return foot valve - FL System

DN		PFA in bar	PS in bar				Cat.	Ref.	Weight Kg
"	mm		L1	L2	G1	G2			
3/4	20	16	16	16	x	x	4.3	149B4101B	0,14
1	25	16	16	16	x	x	4.3	149B4102B	0,36
1 1/4	32	16	16	16	x	x	4.3	149B4103B	0,45
1 1/2	40	16	16	16	x	x	4.3	149B4104B	0,73
2	50	16	16	16	x	x	4.3	149B4105B	0,95
2 1/2	65	16	16	16	x	x	4.3	149B4106B	2,07
3	80	16	16	16	x	x	4.3	149B4107B	5,00
4	100	16	16	16	x	x	4.3	149B4108B	8,64

Important notice :

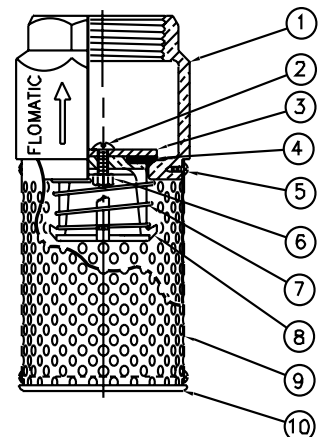
The indicated pressure for the different categories of fluids (L1/L2/G1/G2) is under no condition a guarantee of use. Therefore, it is essential to validate the use of products under given operating conditions. The operating instructions are available on our website www.socla.com or by simple request from our sales department.

Technical features

Operating temperature	-10 °C to 80 °C
Permissible operating pressure (PFA) in water	See table above
Maximum permissible pressure (PS) other mediums	See table above
Connection	Female, BSP
Mediums	Clear liquids, hydrocarbons

Nomenclature and materials

N°	Description	Materials	EURO	ANSI
1	Body	Unleaded bronze		C 89833
2	Screw	Stainless steel	X5CrNi18-10	AISI 304
3	Flat washer	DN 3/4"	Hostaform	
		DN 1"1/2 Others DN	Delrin Stainless steel	X5CrNi18-10 AISI 304
4	Seal	NBR		
5	Screw	Stainless steel	X5CrNi18-10	AISI 304
6	Nut	Stainless steel	X5CrNi18-10	AISI 304
7	Spring	Stainless steel	X10CrNi18-8	AISI 302
8	Guide	DN 2"1/2 and 3"	Unleaded bronze	
		DN 4"	Stainless steel	
		Others DN	Delrin	
9	Strainer	Stainless steel	X5CrNi18-10	AISI 304
10	Cap	DN 2"1/2, 3" and 4"	Unleaded bronze	
		DN 1"1/4 and 1"	Polycarbonate	
		Others DN	Delrin	





International construction Standards :

Directive 2014/68/UE

Thread connection NFE 03-005 ISO228

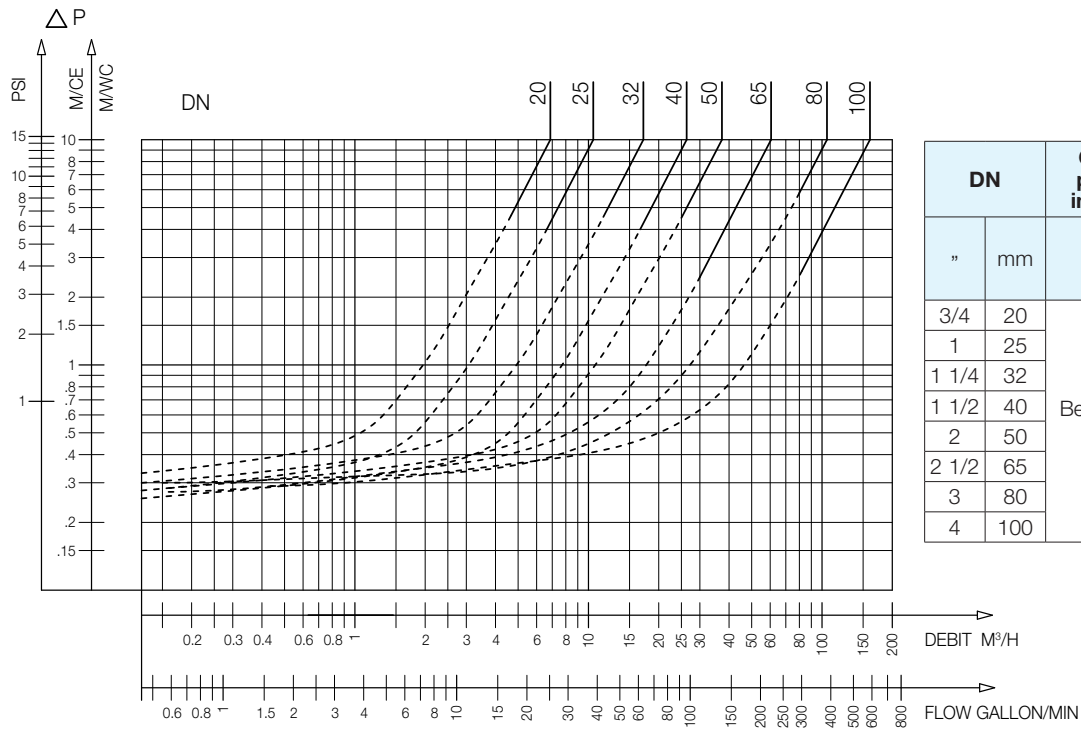
Application

Construction, domestic pumping.

Operation

Direction for use :

- Solid line : Valve completely open
- Dotted line : opening stage of valve

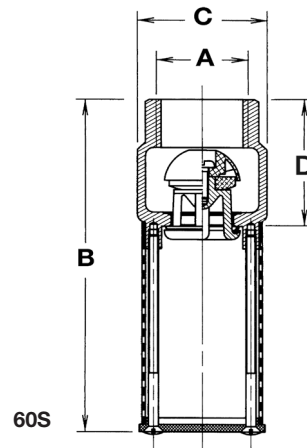


DN		Opening pressure in mm/CE 	Kv	ζ
"	mm		m³/H	
3/4	20	Between 100 and 250	6,87	5,41
1	25		10,73	5,42
1 1/4	32		17,19	5,67
1 1/2	40		26,33	5,9
2	50		37,30	7,18
2 1/2	65		60,55	7,78
3	80		105,00	5,94
4	100		160,50	6,2

60S - Headloss chart

Sizing

A		B	C	D
"	mm	mm	mm	mm
3/4	20/27	90	33	37
1	26/34	125	49	45
1 1/4	33/42	127	57	47
1 1/2	40/49	138	65	58
2	50/60	146	77	66
2 1/2	66/76	205	93	74
3	80/90	243	116	97
4	102/114	315	156	108



The descriptions and photographs contained in this product specification sheet are supplied by way of information only and are not binding.
 Socla reserves the right to carry out any technical and design improvements to its products without prior notice. Warranty : All sales and contracts for sale are expressly conditioned on the buyer's assent to Socla terms and conditions found on its website at www.socla.com. Socla hereby objects to any term, different from or additional to Socla terms, contained in any buyer communication in any form, unless agreed to in a writing signed by an officer of Socla.



A WATTS Brand

Socla sas

365 rue du Lieutenant Putier • 71530 Virey-Le-Grand • France

Tel. +33 03 85 97 42 00 • Fax +33 03 85 97 42 42

contact@wattswater.com • www.socla.com

ISO 9001 version 2015 / ISO 18001