

601

Non-return axial guided valve

01 System

Technical Data Sheet



Description

The non-return axial guided valve 601, has been developed to meet the requirements of NF anti-pollution standard.

- Operates in any position
- Minimum head loss
- Silent and robust
- Does not generate hammering
- Closing system : double axial guiding with return spring
- Compact 01 system in 3/4, 1" and 1" 1/4
- 01 system in the other sizes



601

Non-return axial guided valve - 01 System

DN	PFA in bar	PS in bar				Cat.	Ref.	Weight Kg
		L1	L2	G1	G2			
3/8	10	10	10	10	10	4.3	149B2503	0,067
1/2	10	10	10	10	10	4.3	149B2504	0,093
3/4	10	10	10	10	10	4.3	149B2505	0,100
1	10	10	10	10	10	4.3	149B2506	0,168
1 1/4	10	10	10	X	10	4.3	149B2507	0,290
1 1/2	10	10	10	X	10	4.3	149B2508	0,356
2	10	10	10	X	10	4.3	149B2509	0,601

Important notice :

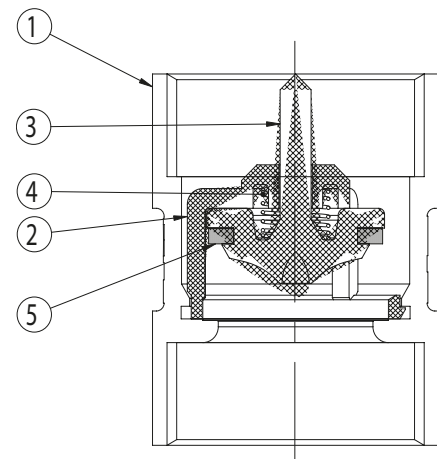
The indicated pressure for the different categories of fluids (L1/L2/G1/G2) is under no condition a guarantee of use. Therefore, it is essential to validate the use of products under given operating conditions. The operating instructions are available on our web site www.socla.com or by requesting from our sales department.

Technical features

Operating temperature	-10 °C to 80 °C
Permissible operating pressure (PFA) in water	See table above
Maximum permissible pressure (PS) other mediums	See table above
Connection	Female/female
Mediums	Clear liquids

Nomenclature and materials

N°	Description	Materials	EURO	ANSI
1	Body	Brass	CuZn39Pb2	
2	Guide	POM (polyacetal)		
3	Closing system	POM (polyacetal) or PPO (polyphenylene-oxide)		
4	Spring	Stainless steel	X10CrNi18-8	AISI 302
5	Lip-ring seal	EPDM NBR (Nitrile) DN 1"1/2 and 2"		



Approvals



International construction Standards :
NF Antipollution according to NF EN 13959

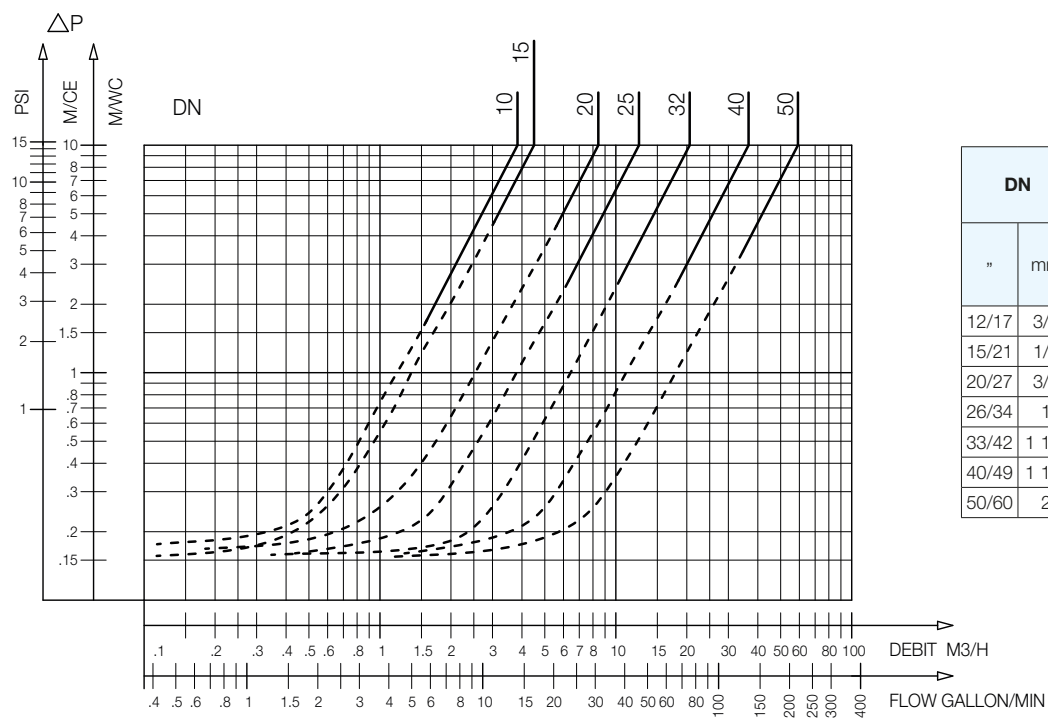
Application

Construction, water distribution, heating, industry.

Operation

Direction for use :

- Solid line : Valve completely open
- Dotted line : opening stage of valve

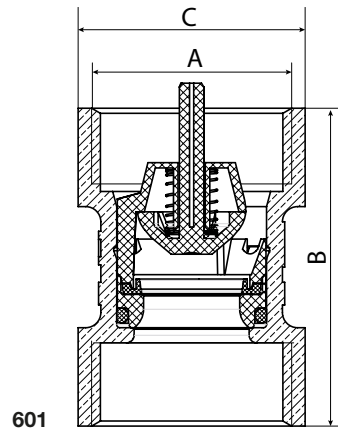


DN		Opening pressure in mm CE	Kv	ζ
"	mm		m ³ /H	
12/17	3/8	Between 50 and 200	3,85	1,1
15/21	1/2		4,5	4
20/27	3/4		8,5	3,6
26/34	1		12,55	4
33/42	1 1/4		20,6	4
40/49	1 1/2		35,6	3,06
50/60	2		59,2	2,85

601 - Headloss chart

Sizing

A		B	C
"	mm	mm	mm
3/8	12/17	38	22
1/2	15/21	41	26
3/4	20/27	42	30
1	26/34	47	37
1 1/4	33/42	55	47
1 1/2	40/49	78	54
2	50/60	89	66



The descriptions and photographs contained in this product specification sheet are supplied by way of information only and are not binding.
 Socla reserves the right to carry out any technical and design improvements to its products without prior notice. Warranty : All sales and contracts for sale are expressly conditioned on the buyer's assent to Socla terms and conditions found on its website at www.socla.com. Socla hereby objects to any term, different from or additional to Socla terms, contained in any buyer communication in any form, unless agreed to in a writing signed by an officer of Socla.



A WATTS Brand

Socla sas

365 rue du Lieutenant Putier • 71530 Virey-Le-Grand • France
 Tel. +33 03 85 97 42 00 • Fax +33 03 85 97 42 42
contact@wattswater.com • www.socla.com
 ISO 9001 version 2015 / ISO 18001