

**2 PIECES STAINLESS STEEL BALL VALVE PN16/40 FLANGED JC RANGE SHORT PATTERN  
(DIN 3202-1 F4/F5) PTFE SEAT**

2 pieces split body ball valve JC with full bore for Chemical industries, petrochemical industries, hydraulic installation, heating, water distribution, compressed air.

Ball valve with firesafe certificate ISO 10497 and API 607 to reduce risks in case of fire.

Fugitive emission according to EN 15848-1 :2006 B Class and TA LUFT for an excellent tightness on the stem and to prevent external leakage.

PTFE seat for a temperature up to +230°C.

Compatible with explosive atmosphere, ATEX Zone 1&21 and Zone 2&22 thanks to the double antistatic device.

Handling possible with locking device, gearbox, oval handwheel or stem extension.

Thanks to the ISO 5211 plate, an actuator can be installed on the valve.



**Certificate**  
**3.1**

**NACE**  
**MR01-75**



**JC**  
**VALVES**



PED/2014/68/UE  
BUREAU VERITAS  
Certification



**Size :** DN15 to DN300  
**Connection :** Flanged PN16/40 RF  
**Min Temperature :** -50°C  
**Max Temperature :** +230°C  
**Max Pressure :** 40 Bars up to DN50, 16 bars over  
**Specifications :** PTFE seat  
ISO 5211 mounting pad  
Anti blow-out stem, full bore  
Fire safe ISO 10497 : 2004, API 607 5th, BS  
6755 Part 2 and API 6FA

**Materials :** Stainless steel EN 1.4408

\*the installation defects and wear defects are not covered by the guarantee

**2 PIECES STAINLESS STEEL BALL VALVE PN16/40 FLANGED JC RANGE SHORT PATTERN  
(DIN 3202-1 F4/F5) PTFE SEAT**

**SPECIFICATIONS :**

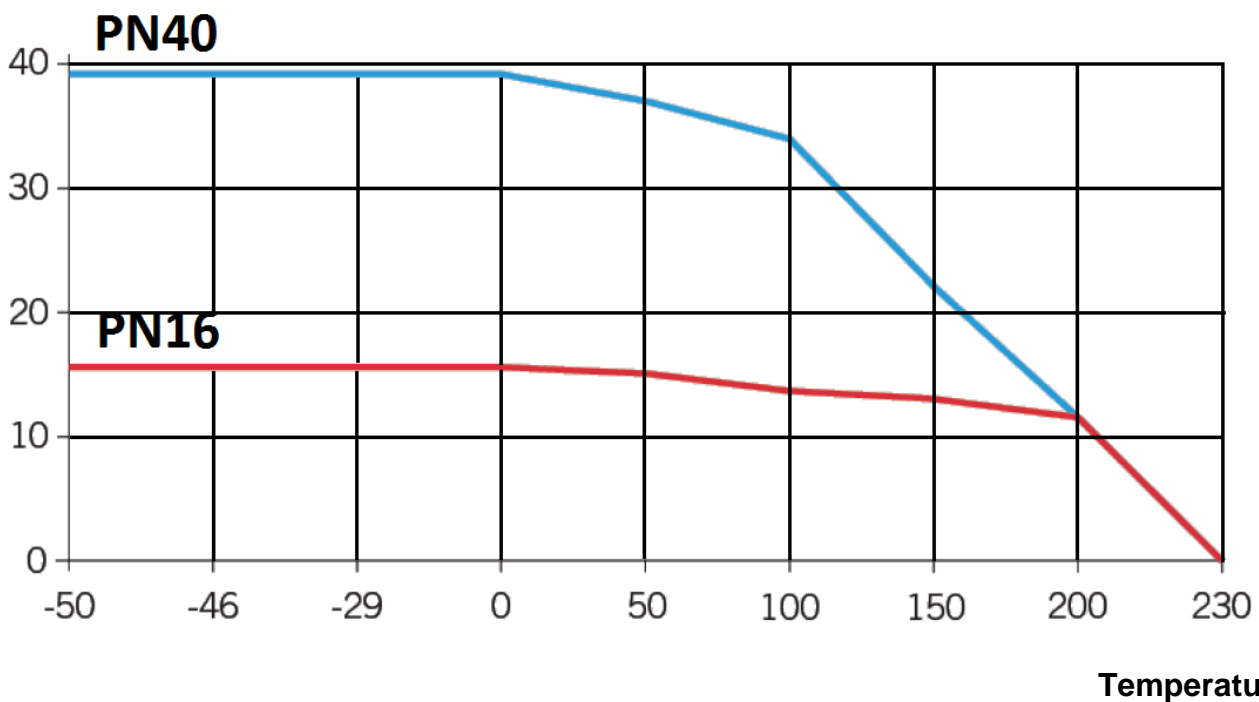
- Full bore
- Anti blow-out stem
- PTFE seat
- Locking device on request
- ISO 5211 mounting pad
- 2 pieces type ( Split body )
- PN40 Flanges R.F. up to DN50, PN16 over
- Antistatic device
- Fire safe ISO 10497 : 2004, API 607 5th, BS 6755 Part.2 and API 6FA
- Fugitive emissions EN 15848-1 : 2006 and TA LUFT VDI 2440
- Graphite packing + FKM O ring on stem
- With exhaust hole in the ball ( located in the top of the ball to avoid overpressure in it )
- Trunnion mounted hollow ball over DN200

**USE :**

- Chemical industries, petrochemical industries, hydraulic installation, heating, water distribution, compressed air
- Min and max Temperature Ts : -50°C to + 230°C
- Max Pressure Ps : 40 bars up to DN50, 16 bars over ( see graph )
- Vacuum 10<sup>-2</sup> torr
- Compressed air (ambient temperature) : 40 bars maximum up to DN50, 16 bars over
- Steam : 12 bars maximum

**PRESSURE / TEMPERATURE GRAPH ( STEAM EXCLUDED ) :**

**Pressure (Bar)**



**2 PIECES STAINLESS STEEL BALL VALVE PN16/40 FLANGED JC RANGE SHORT PATTERN  
(DIN 3202-1 F4/F5) PTFE SEAT**

**FLOW COEFFICIENT Kvs (in m<sup>3</sup>/h) :**

DN	15	20	25	32	40	50	65	80	100	125	150	200	250	300
Kvs ( m <sup>3</sup> / h )	20	40	75	130	170	270	550	1000	1650	3000	4200	9000	15000	20800

**TORQUE VALUE (in Nm without safety coefficient) :**

DN	BTO*	RTO	ETO	BTC	RTC	ETC*	MAST	Ps (bars)
15	11	6	7	8	6	9	26	40
20	14	7	8	11	7	11	26	40
25	20	10	12	15	10	16	26	40
32	25	13	15	19	13	20	69	40
40	33	17	20	25	17	26	85	40
50	46	23	28	35	23	37	85	40
65	61	31	37	46	31	49	176	16
80	97	49	58	73	49	78	246	16
100	133	67	80	100	67	106	305	16
125	226	113	136	170	113	181	607	16
150	320	160	192	240	160	256	974	16
200	694	347	416	521	347	555	1387	16
250	1120	560	672	840	560	896	1387	16
300	1500	750	900	1125	750	1200	2541	16

**RANGE :**

- Stainless steel body ball valve with handle flanged PN40 **Ref. 540IIT** from DN 15 to DN 50
- Stainless steel body ball valve with handle flanged PN16 **Ref. 516IIT** from DN 65 to DN 150
- Stainless steel body ball valve with free stem PN16 **Ref. 516IIT** DN200
- Stainless steel body ball valve with free stem PN16 **Ref. 1516IIT** from DN250 to 300

**CONNECTION :**

- PN40 Flanges R.F. up to DN50, PN16 over

**2 PIECES STAINLESS STEEL BALL VALVE PN16/40 FLANGED JC RANGE SHORT PATTERN  
(DIN 3202-1 F4/F5) PTFE SEAT**

**ACCESSORIES :**



- Reinforced locking device

DN	15	20	25	32	40	50	65	80	100	125	150	200
Ref.	9830120		9830121	9830122	9830123		9830124	9830125	9830126	9830127	9830128	9830129



- Stainless steel handle

DN	15	20	25	32	40	50	65	80	100	125	150
Ref.	9830513			9830514	9830515		9830516	9830517	9830518	9830519	9830520



- Stainless steel oval handwheel

DN	15	20	25	32	40	50
Ref.	9830575	9830578		9830576	9830577	



- Gearbox

DN	125	150	200
Ref.316	9830598	9830592	9830593
Ref.340			983595



- Single stainless steel stem extension 100 mm

DN	15	20	25	32	40	50	65	80	100	125	150
Ref. JC	9810615			9810616	9810617	9810618	9810619	9810620	9810621	9810622	

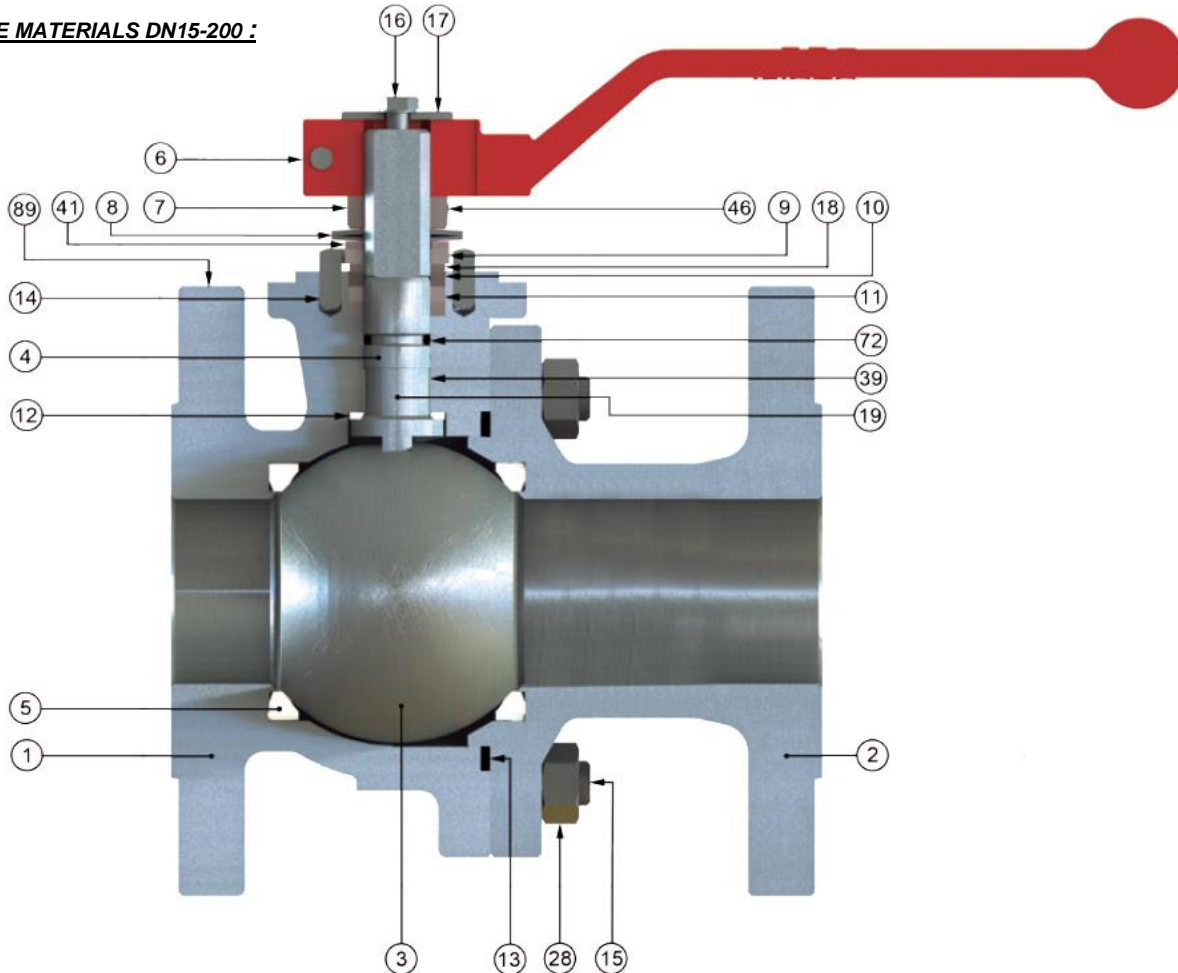


- Stainless steel stem extension 100 mm with ISO plate

DN	15	20	25	32	40	50	65	80	100	125	150	200
Ref. SF	JCRISO015020	JCRISO025	JCRISO032	JCRISO040050	JCRISO065	JCRISO080	JCRISO100	JCVSSBI125	JCVSSBI150	JCVSSBI200		

**2 PIECES STAINLESS STEEL BALL VALVE PN16/40 FLANGED JC RANGE SHORT PATTERN  
(DIN 3202-1 F4/F5) PTFE SEAT**

**VALVE MATERIALS DN15-200 :**



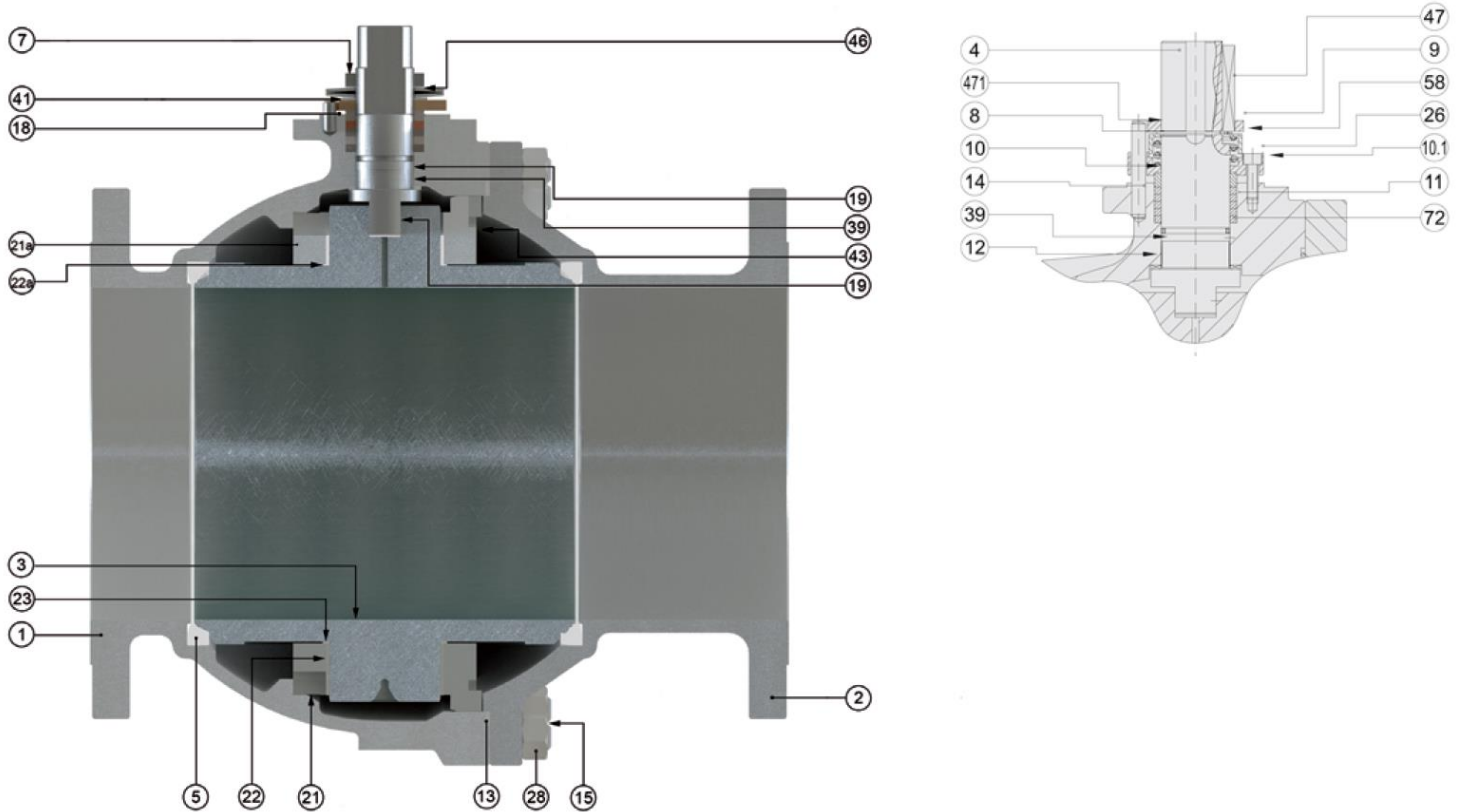
(\* : Included in gaskets kit )

Item	Designation	Materials
1	Body	EN 1.4408
2	Ends	
3	Ball DN15-25	ASTM A479 Tp.316
	Ball DN 32-200	Inox ASTM A 351 CF8M
4	Stem	ASTM A479 Tp.316
5*	Seat	PTFE
6	Handle	Carbon steel A216 WCB
7	Packing nut	AISI 303
8	Elastic ring	A666 TP.301
9	Stop washer	AISI 304
10	Packing gland	AISI 316
11*	Packing	Graphite
12*	Gasket	PTFE filled with 25% glass

Item	Designation	Materials
13*	Body spiral seat	AISI 316L + PTFE + Graphite
14	Pin	Stainless Steel
15	Screw (stud DN32-100)	DIN 933 A4-70
16	Handle screw	DIN 933 A4-70
17	Washer	AISI 304
18*	Thrust washer	PTFE filled with 25% glass
19	Antistatic device	Stainless steel
28	Nut (DN32-100)	DIN 934 A4-70
39	Stem bushing (DN25-200)	PTFE filled with 25% glass
41	Spacer (DN40-200)	AISI 304
46*	Washer	
72*	O ring	FKM
89	ID plate	Stainless steel

**2 PIECES STAINLESS STEEL BALL VALVE PN16/40 FLANGED JC RANGE SHORT PATTERN  
(DIN 3202-1 F4/F5) PTFE SEAT**

**VALVE MATERIALS DN 250-300 :**



(\* : Included in gaskets kit )

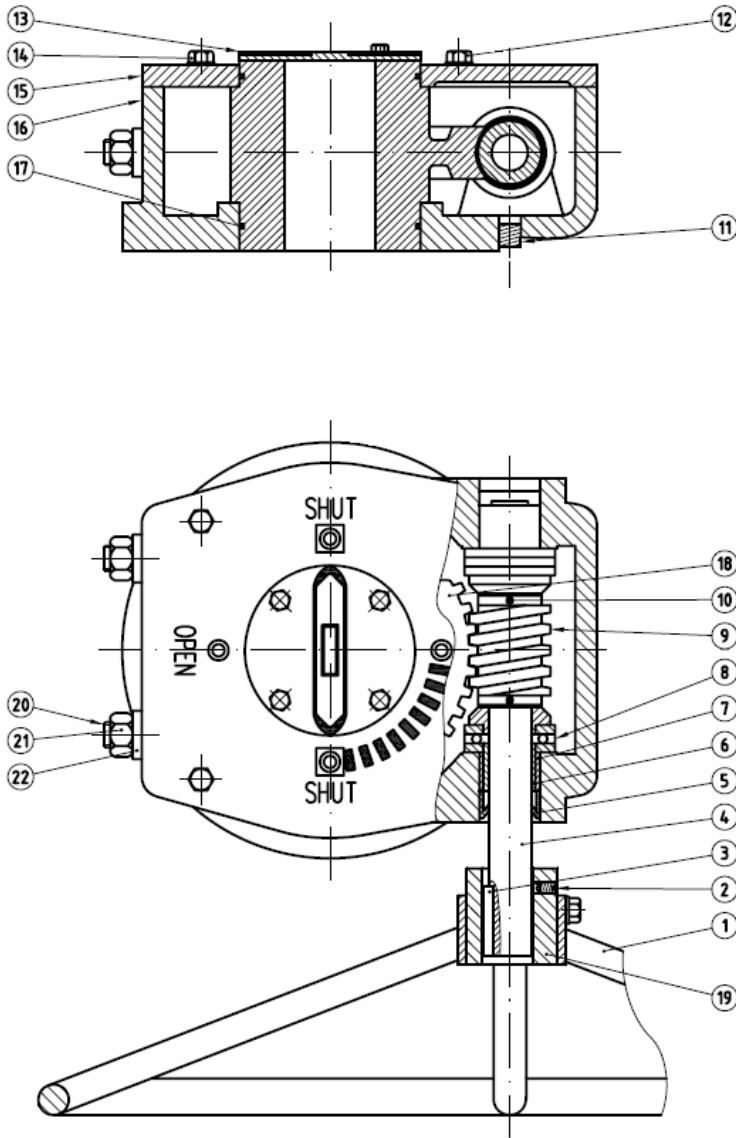
Item	Designation	Materials
1	Body	EN 1.4408
2	Ends	
3	Ball	ASTM A 351 CF8M
4	Stem	ASTM A479 Tp.316
5*	Seat	PTFE
7	Packing gland	Ductile iron
8	Elastic washer	AISI 303
9	Pin	A 666 TP.301
10	Gland	AISI 304
10.1	Ring	AISI 316
11*	Packing	Graphite
12*	Gasket	PTFE filled with 25% glass
13*	Body seat	AISI 316L + Graphite
14	Stop pin	Stainless steel
15	Stud	A193 Gr. B8M

Item	Designation	Materials
18*	Bushing	PTFE filled with 25% glass
19	Antistatic device	Stainless steel
21/21a	Ball trunnion	AISI 316
22/22a	Trunnion bearing	PTFE + 50% Stainless steel
23	Bearing	PTFE
26	Bolt	DIN 912 A2
28	Nut (only for DN250)	A 194 Gr.8M
39	Stem bushing (DN250)	PTFE + 50% Stainless steel
39	Stem bushing (DN300)	AISI 316 + PTFE
41	Spacer	Stainless steel
43-47	Key	AISI 316
46*	Locking washer	AISI 304
58	Spring protection	Stainless steel
72*	O ring	FKM
89	ID plate	Stainless steel
471	Retainer	DIN 933 A2-70



**2 PIECES STAINLESS STEEL BALL VALVE PN16/40 FLANGED JC RANGE SHORT PATTERN  
(DIN 3202-1 F4/F5) PTFE SEAT**

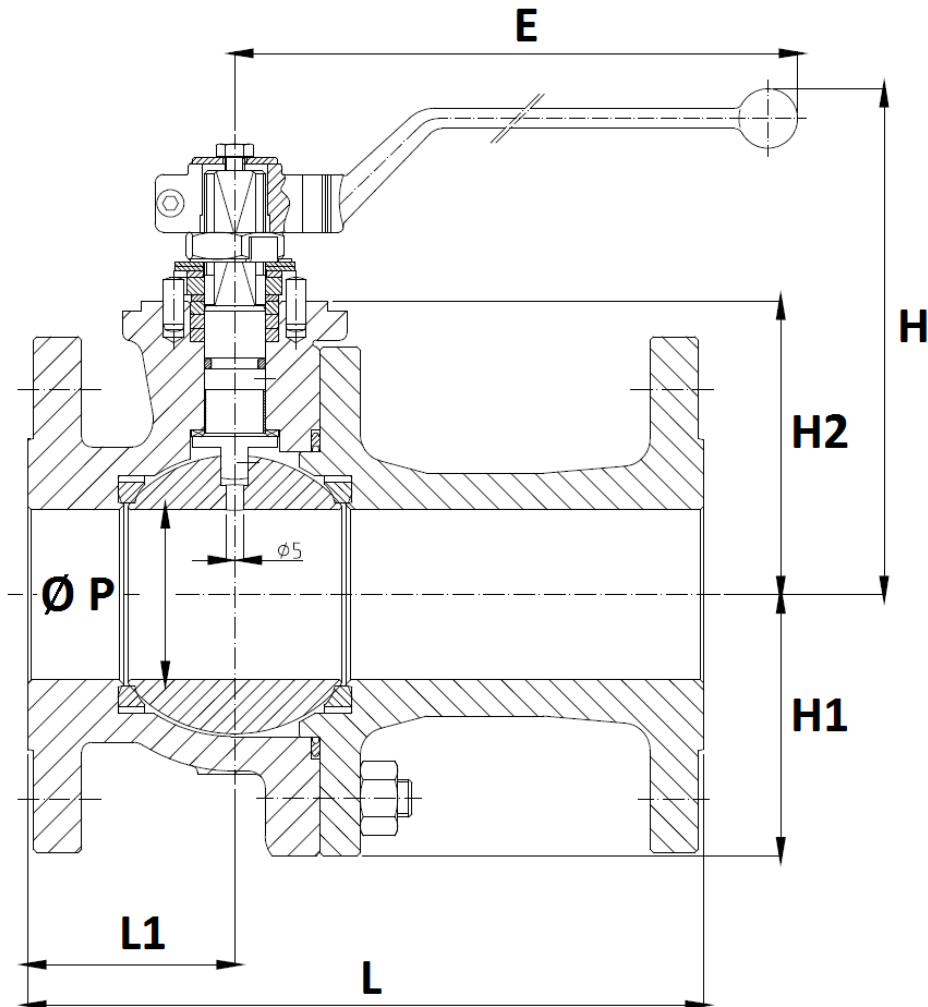
**GEARBOX MATERIALS :**



Item	Designation	Materials
1	Handwheel	Carbon steel
2	Screw	
3	Stem key	
4	Input shaft	AISI 1045
5	Oil seal	Rubber
6	Bearing	Cu Base Alloy
7	Oil bearing	
8	Thrust bearing	Carbon steel
9	Worm	AISI 1045
10	Pin	Carbon steel
11	Plug	
12	Screw	
13	Indicator plate	Cast iron
14	Screw	Carbon steel
15	Cover	Cast iron
16	Housing	
17	O ring	Rubber
18	Worm gear	Ductile iron
19	Nut	Carbon steel
20	Stop screw	
21	Nut	
22	Hex nut	
23-24	Spur gear cover+housing	Cast iron
25	Seal cover	Rubber
26-27-28	Screw+washer	Carbon steel
29	Gear	
30	Bearing	Cu Base Alloy
31	Bolt	Carbon steel
32	Slotted spring pin	
33	Spur gear	
34	Locator pins	

**2 PIECES STAINLESS STEEL BALL VALVE PN16/40 FLANGED JC RANGE SHORT PATTERN  
(DIN 3202-1 F4/F5) PTFE SEAT**

**VALVE SIZE DN15-200 ( in mm ) :**



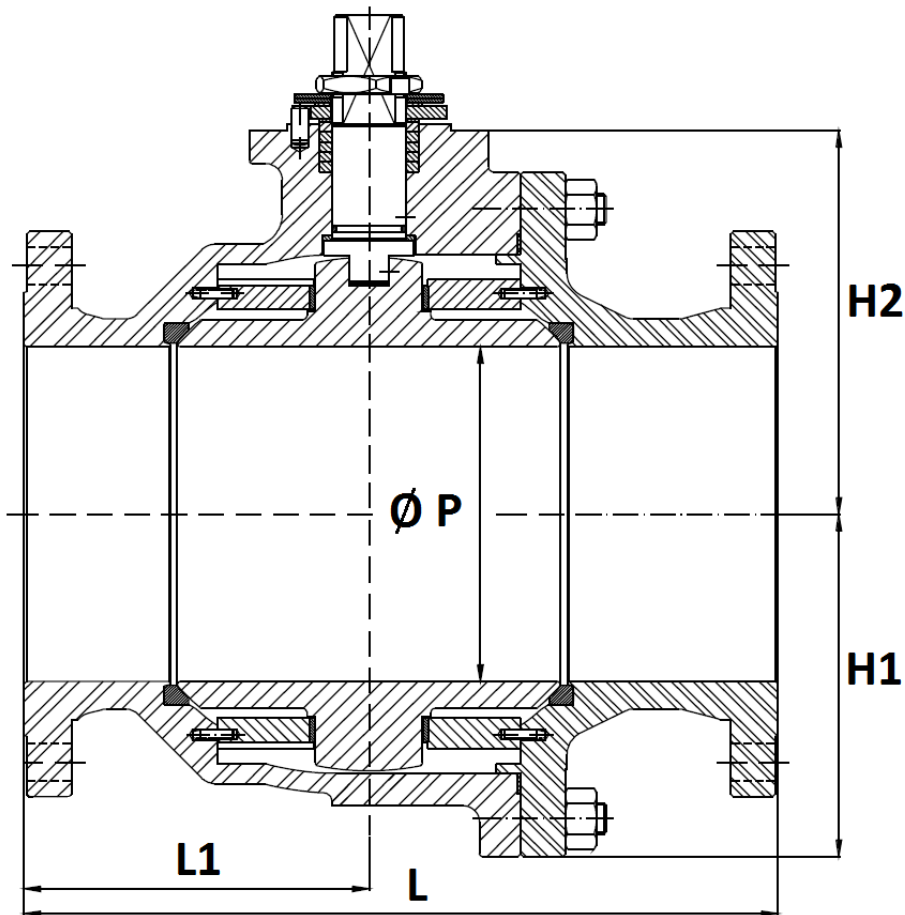
DN	15	20	25	32	40	50	65	80	100	125	150	200*
Ø P	15	20	25	32	40	50	65	80	100	125	151	203
L	115	120	125	130	140	150	170	180	190	325	350	400
L1	53	52	48.5	54	55	61	75.5	82	90.5	120	135	200
E	164	164	164	210	213	213	348	445	495	698	698	868
H	111	118	130	131	148	155	169	207	232	265	298	353
H1	-	-	-	-	-	-	-	-	118	138	160	208
H2	46	53	58	66.5	76	83.5	97	111	133	156	183	233
Weig. (Kg)	2.8	3.6	5	7	9	12	16	22	32	52.5	76	111
Ref.	540IIT 015	540IIT 020	540IIT 025	540IIT 032	540IIT 040	540IIT 050	516IIT 065	516IIT 080	516IIT 100	516IIT 125	516IIT 150	516IIT 200

Handle on request for DN200 (free stem in standard)



**2 PIECES STAINLESS STEEL BALL VALVE PN16/40 FLANGED JC RANGE SHORT PATTERN  
(DIN 3202-1 F4/F5) PTFE SEAT**

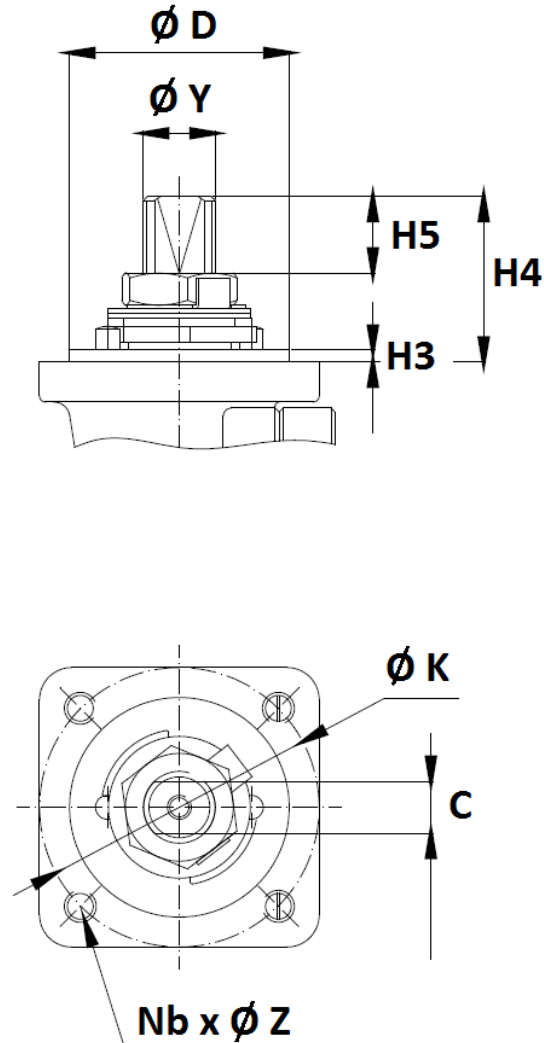
VALVE SIZE DN 250-300 ( in mm ) :



DN	250	300
Ø P	254	305
L	450	500
L1	225	245
H1	239	288
H2	256	297
Weight (in Kg)	223	323
Ref.	516IIT250	516IIT300

**2 PIECES STAINLESS STEEL BALL VALVE PN16/40 FLANGED JC RANGE SHORT PATTERN  
(DIN 3202-1 F4/F5) PTFE SEAT**

**ISO MOUNTING PAD AND STEM SIZE DN15-200 ( in mm ) :**

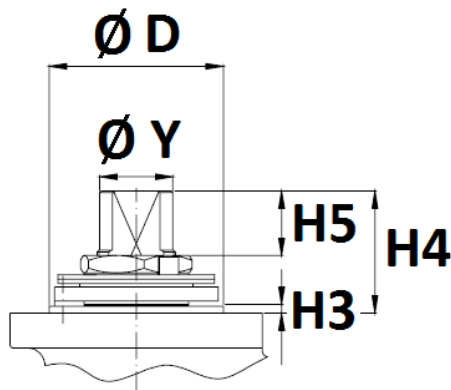


DN	15	20	25	32	40	50	65	80	100	125	150	200
H3	1.5				3							4
H4	11.2	14.7	22.7	32	41.5	41.5	44	44.5	56.5	56	68	72
H5	5	8.5	9.5	13	18.3	18.3	18.6	18.6	27.8	24.7	37.1	36.5
C	9	9	9	12	13	13	16	18	20	25	29	32
Ø Y	M12x1.5			M16x1.5	M18x1.5		M22x1.5	M25x1.5	M28x1.5	M35x2	M40x2	M45x2
Ø D	35				55			70		85		100
Ø K	50	50	50	50	70	70	70	102	102	125	125	140
ISO	F05	F05	F05	F05	F07	F07	F07	F10	F10	F12	F12	F14
N x Ø Z	4 x M6	4 x M6	4 x M6	4 x M6	4 x M8	4 x M8	4 x M8	4 x M10	4 x M10	4 x M12	4 x M12	4 x M16

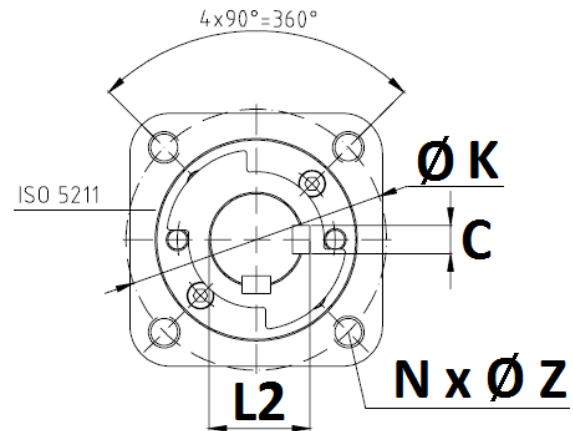
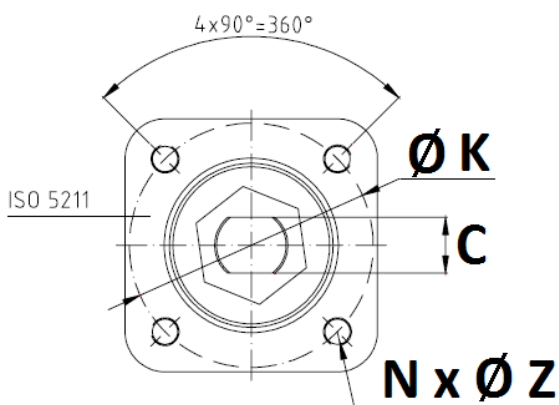
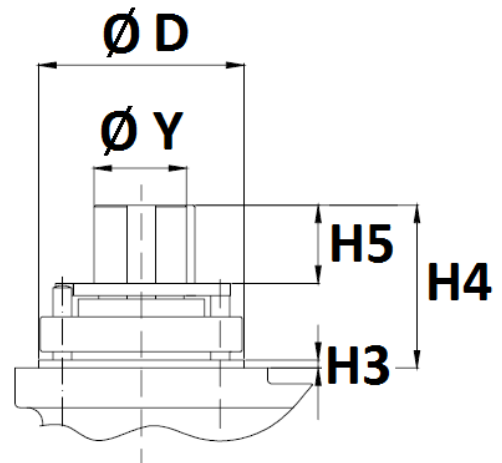
**2 PIECES STAINLESS STEEL BALL VALVE PN16/40 FLANGED JC RANGE SHORT PATTERN  
(DIN 3202-1 F4/F5) PTFE SEAT**

**ISO MOUNTING PAD AND STEM SIZE DN250-300 ( in mm ) :**

**DN 250**



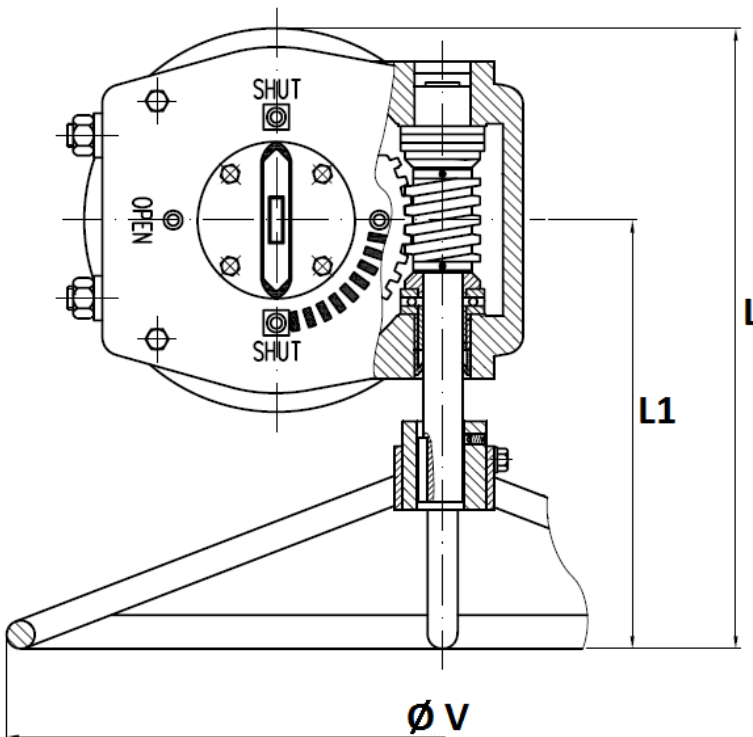
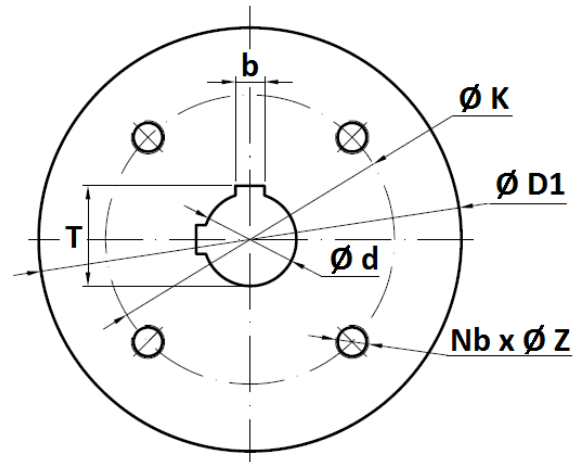
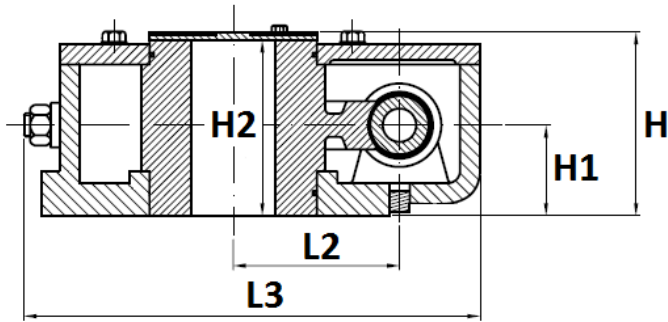
**DN300**



DN	250	300
H3	4	4
H4	72	106
H5	36.5	58
L2	-	53.5
C	32	14
Ø Y	M45x2	Ø50
Ø D	100	100
Ø K	140	140
ISO	F14	F14
N x Ø Z	4 x M16	4 x M16

**2 PIECES STAINLESS STEEL BALL VALVE PN16/40 FLANGED JC RANGE SHORT PATTERN  
(DIN 3202-1 F4/F5) PTFE SEAT**

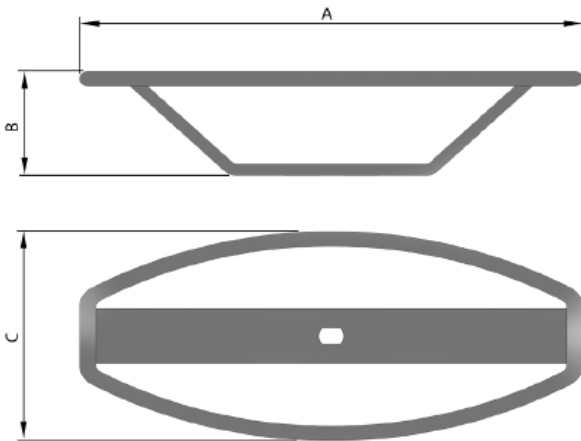
**GEARBOX SIZE DN125-300 ( in mm ) :**



DN	125-150-200	250	300
Ø V	465	600	600
L	331.5	487	544
L1	229	370	402
L2	77.5	90	126
L3	245	282	312
H	107	107	113.5
H1	55	55	65
H2	85	85	90
Ø d	45	65	80
Ø D1	205	254	290
Ø K	140	140	165
ISO	F14	F14	F16
Nb - Ø Z	4-M16x20	4-M16x20	4-M20x25
b	14	18	22
T	48.6	69.3	85.6
Weight (Kg)	17.8	22.5	36
Torque (Nm)	1200	2000	3300

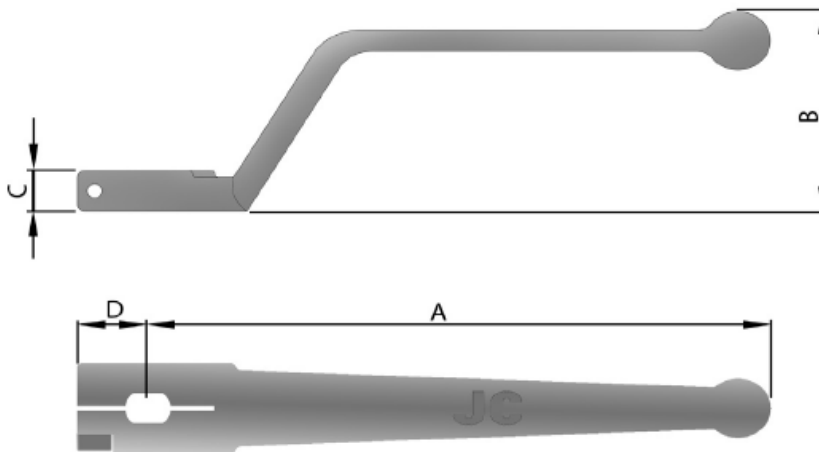
**2 PIECES STAINLESS STEEL BALL VALVE PN16/40 FLANGED JC RANGE SHORT PATTERN  
(DIN 3202-1 F4/F5) PTFE SEAT**

**OVAL HANDWHEEL SIZE DN15-50 ( in mm ) :**



DN	15	20	25	32	40	50
A	160	160	160	200	216	216
B	54	54	54	56	57	57
C	75	75	75	90	100	100
Weight (Kg)	0.25	0.25	0.25	0.5	0.55	0.55
Ref.	9830575	9830578		9830576	9830577	

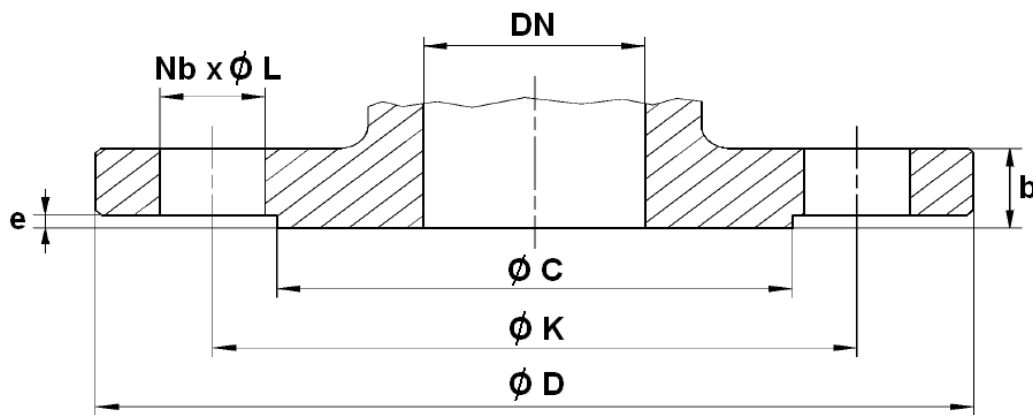
**STAINLESS STEEL HANDLE SIZE DN15-200 ( in mm ) :**



DN	15	20	25	32	40	50	65	80	100	125	150	200
A	163.5		300		212.5		347.5	445	495	697.5		867.5
B	58.5		45		48.5		46.5	70	70	77.5	84.5	84.5
C	12		16		21		20		29	30	40	
D	18.5		22		25.5			33		47		55
Weight (Kg)	0.2		0.3		0.53		0.63	1.52	1.85	2.95	3.4	4.6
Ref.	9830513		9830514		9830515		9830516	9830517	9830518	9830519	9830520	

**2 PIECES STAINLESS STEEL BALL VALVE PN16/40 FLANGED JC RANGE SHORT PATTERN  
(DIN 3202-1 F4/F5) PTFE SEAT**

**FLANGES SIZE ( in mm ) :**



DN	15	20	25	32	40	50	65	80	100	125	150	200	250	300
Ø C	45	58	68	78	88	102	122	138	158	188	212	268	323.8	381
Ø D	95	105	115	140	150	165	185	200	220	250	285	340	405	460
Ø K	65	75	85	100	110	125	145	160	180	210	240	295	320	378
Nb x Ø L	4 x 14	4 x 14	4 x 14	4 x 18	4 x 18	4 x 18	4 x 18	8 x 18	8 x 18	8 x 18	8 x 22	12 x 22	12 X 26	12 X 26
b	16	18	18	18	18	20	18	20	20	22	22	24	26	28
e	2	2	2	2	3	3	3	3	3	3	3	3	3	4

**2 PIECES STAINLESS STEEL BALL VALVE PN16/40 FLANGED JC RANGE SHORT PATTERN  
(DIN 3202-1 F4/F5) PTFE SEAT**

**STANDARDS :**

- Manufacturer certified ISO 9001:2015 and ISO 14001 : 2015
- DIRECTIVE 2014/68/EU : CE N° 0056  
Risk Category IV module H1
- Certificate 3.1 on request
- Valve designing according to EN 1983 – ISO 17292 and EN 12516
- Materials according to NACE MR 01-75
- Pressure Tests according to EN 12266-1, Rate A
- Marking according to EN 19
- Fire safe according to ISO 10497 : 2004, API 607 5th, BS6755 Part 2, and API 6FA 1994
- Fugitive Emissions according to EN 15848-1 : 2006 B Class and TA LUFT VDI 2440
- SIL2 according to IEC/EN 61508, SIL 3 possible according to the type of installation
- Flanges R.F. type B1 according to EN 1092-1 PN16/40
- Shell finishing quality MSS SP 55
- ISO 5211 mounting pad
- Length according to EN 558 series 27 ( DIN 3357-2 ff, DINI 3202-1 F4 up to DN100, F5 over)
- ATEX Group II Category 2 G/2Dc Zone 1 & 21 Zone 2 & 22 ( optional marking ) up to DN200 according to directive 2014/34/EU
- Russian certificate TRCU 10, TRCU 12 and TRCU 32 (EAC marking and declaration **on request**)

**ADVICE :** Our opinion and our advice are not guaranteed and SFERACO shall not be liable for the consequences of damages.  
The customer must check the right choice of the products with the real service conditions.