

**2 PIECES STAINLESS STEEL BALL VALVE PN16/40 FLANGED JC RANGE SHORT PATTERN  
(DIN 3202-1 F4/F5) PTFE FILLED STAINLESS STEEL STANSIT SEAT**

2 pieces split body ball valve JC with full bore for Chemical industries, petrochemical industries, hydraulic installation, heating, water distribution, compressed air.

Ball valve with firesafe certificate ISO 10497 and API 607 to reduce risks in case of fire.

Fugitive emission according to EN 15848-1 :2006 B Class and TA LUFT for an excellent tightness on the stem and to prevent external leakage.

PTFE filled with 50% stainless steel Stansit seat for a temperature up to +260°C.

Compatible with explosive atmosphere, ATEX Zone 1&21 and Zone 2&22 thanks to the double antistatic device.

Handling possible with locking device, gearbox, oval handwheel or stem extension.

Thanks to the ISO 5211 plate, an actuator can be installed on the valve.



**Certificate**  
**3.1**

**NACE**  
**MR01-75**



**JC**  
**VALVES**



PED/2014/68/UE  
BUREAU VERITAS  
Certification



- Size :** DN15 to DN300
- Connection :** Flanged PN16/40 RF
- Min Temperature :** -50°C
- Max Temperature :** +260°C
- Max Pressure :** 40 Bars up to DN50, 16 bars over
- Specifications :** PTFE filled with 50% stainless steel Stansit seat  
ISO 5211 mounting pad  
Anti blow-out stem, full bore  
Fire safe ISO 10497 : 2004, API 607 5th, BS  
6755 Part 2 and API 6FA

**Materials :** Stainless steel EN 1.4408

\*the installation defects and wear defects are not covered by the guarantee

**2 PIECES STAINLESS STEEL BALL VALVE PN16/40 FLANGED JC RANGE SHORT PATTERN  
(DIN 3202-1 F4/F5) PTFE FILLED STAINLESS STEEL STANSIT SEAT**

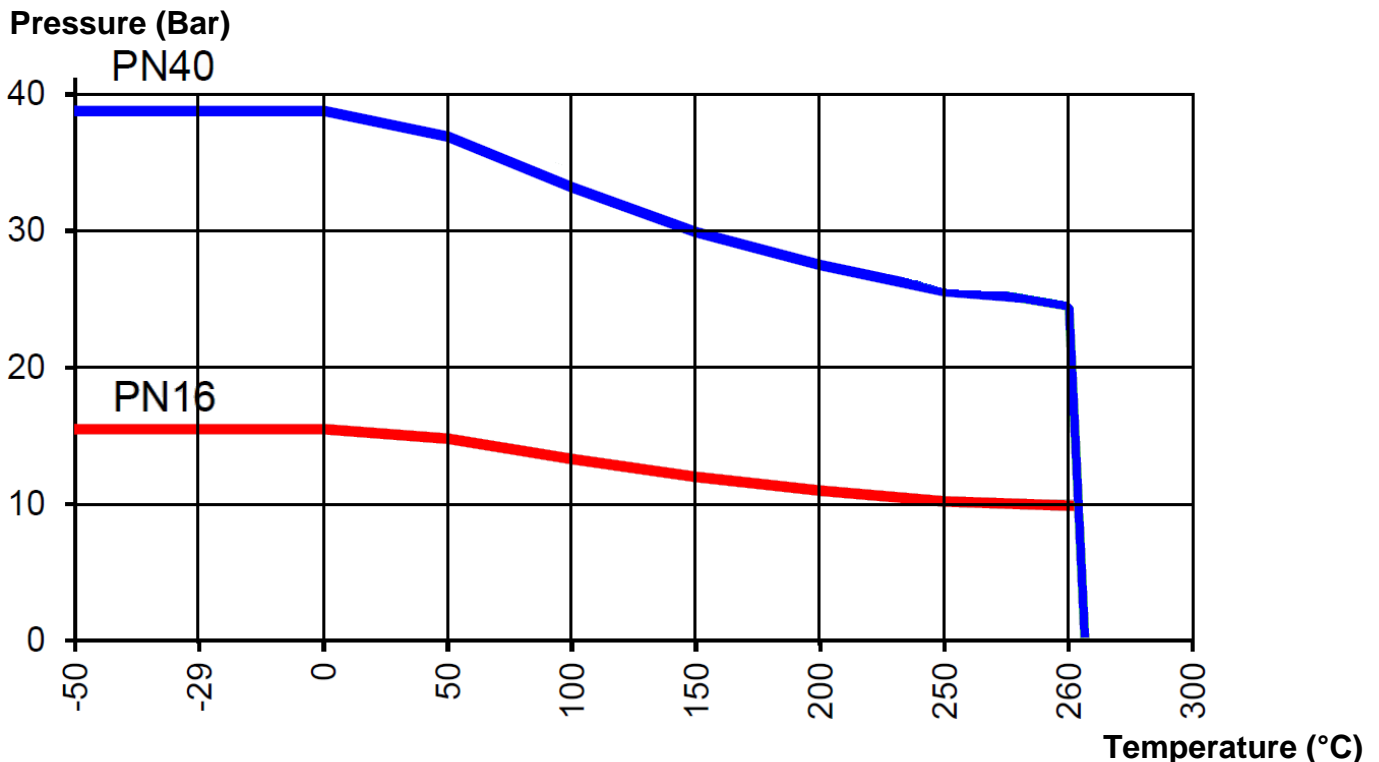
**SPECIFICATIONS :**

- Full bore
- Anti blow-out stem
- PTFE filled with 50% stainless steel Stansit seat
- Locking device on request
- ISO 5211 mounting pad
- 2 pieces type ( Split body )
- PN40 Flanges R.F. up to DN50, PN16 over
- Antistatic device
- Fire safe ISO 10497 : 2004, API 607 5th, BS 6755 Part.2 and API 6FA
- Fugitive emissions EN 15848-1 : 2006 and TA LUFT VDI 2440
- Graphite packing + FKM O ring on stem
- With exhaust hole in the ball ( located in the top of the ball to avoid overpressure in it )
- Trunnion mounted hollow ball over DN200

**USE :**

- Chemical industries, petrochemical industries, hydraulic installation, heating, water distribution, compressed air
- Min and max Temperature Ts : -50°C to + 260°C
- Max Pressure Ps : 40 bars up to DN50, 16 bars over ( see graph )
- Vacuum 10<sup>-2</sup> torr
- Compressed air (ambient temperature) : 40 bars maximum up to DN50, 16 bars over
- Steam : 14 bars maximum for types PN16 and 27 bars maximum for PN40 types

**PRESSURE / TEMPERATURE GRAPH ( STEAM EXCLUDED ) :**



**2 PIECES STAINLESS STEEL BALL VALVE PN16/40 FLANGED JC RANGE SHORT PATTERN  
(DIN 3202-1 F4/F5) PTFE FILLED STAINLESS STEEL STANSIT SEAT**

**FLOW COEFFICIENT Kvs (in m<sup>3</sup>/h) :**

| DN                         | 15 | 20 | 25 | 32  | 40  | 50  | 65  | 80   | 100  | 125  | 150  | 200  | 250   | 300   |
|----------------------------|----|----|----|-----|-----|-----|-----|------|------|------|------|------|-------|-------|
| Kvs ( m <sup>3</sup> / h ) | 20 | 40 | 75 | 130 | 170 | 270 | 550 | 1000 | 1650 | 3000 | 4200 | 9000 | 15000 | 20800 |

**TORQUE VALUE ( in Nm without safety coefficient ) :**

| DN  | BTO* | RTO | ETO   | BTC  | RTC | ETC*   | MAST | Ps (bars) |
|-----|------|-----|-------|------|-----|--------|------|-----------|
| 15  | 13   | 7   | 8     | 10   | 7   | 10     | 26   | 40        |
| 20  | 17   | 9   | 10    | 13   | 9   | 14     | 26   | 40        |
| 25  | 20   | 10  | 12    | 15   | 10  | 16     | 26   | 40        |
| 32  | 28   | 14  | 17    | 21   | 14  | 22     | 69   | 40        |
| 40  | 42   | 21  | 25    | 32   | 21  | 34     | 85   | 40        |
| 50  | 67   | 24  | 40    | 50   | 34  | 54     | 85   | 40        |
| 65  | 95   | 48  | 57    | 71   | 48  | 76     | 176  | 16        |
| 80  | 153  | 77  | 92    | 115  | 77  | 122    | 246  | 16        |
| 100 | 185  | 93  | 111   | 139  | 93  | 148    | 305  | 16        |
| 125 | 340  | 170 | 204   | 255  | 170 | 272    | 607  | 16        |
| 150 | 427  | 214 | 256   | 320  | 214 | 342    | 974  | 16        |
| 200 | 979  | 490 | 587   | 734  | 490 | 783    | 1387 | 16        |
| 250 | 1344 | 672 | 806.4 | 1008 | 672 | 1075.2 | 1387 | 16        |
| 300 | 1800 | 900 | 1080  | 1350 | 900 | 1440   | 2541 | 16        |

**RANGE :**

- Stainless steel body ball valve with handle flanged PN40 **Ref. 540IIS** from DN 15 to DN 50
- Stainless steel body ball valve with handle flanged PN16 **Ref. 516IIS** from DN 65 to DN 150
- Stainless steel body ball valve with free stem PN16 **Ref. 516IIS** DN200
- Stainless steel body ball valve with free stem PN16 **Ref. 1516IIS** from DN250 to 300

**CONNECTION :**

- PN40 Flanges R.F. up to DN50, PN16 over

**2 PIECES STAINLESS STEEL BALL VALVE PN16/40 FLANGED JC RANGE SHORT PATTERN  
(DIN 3202-1 F4/F5) PTFE FILLED STAINLESS STEEL STANSIT SEAT**


**ACCESSORIES :**



- Reinforced locking device


| DN   | 15      | 20 | 25      | 32      | 40      | 50 | 65      | 80      | 100     | 125     | 150     | 200     |
|------|---------|----|---------|---------|---------|----|---------|---------|---------|---------|---------|---------|
| Ref. | 9830120 |    | 9830121 | 9830122 | 9830123 |    | 9830124 | 9830125 | 9830126 | 9830127 | 9830128 | 9830129 |

- Stainless steel handle




| DN   | 15      | 20 | 25 | 32      | 40      | 50 | 65      | 80      | 100     | 125     | 150     |
|------|---------|----|----|---------|---------|----|---------|---------|---------|---------|---------|
| Ref. | 9830513 |    |    | 9830514 | 9830515 |    | 9830516 | 9830517 | 9830518 | 9830519 | 9830520 |

- Stainless steel oval handwheel




| DN   | 15      | 20      | 25 | 32      | 40      | 50 |
|------|---------|---------|----|---------|---------|----|
| Ref. | 9830575 | 9830578 |    | 9830576 | 9830577 |    |

- Gearbox



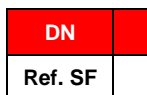
| DN      | 125     | 150     | 200     |
|---------|---------|---------|---------|
| Ref.316 | 9830598 | 9830592 | 9830593 |
| Ref.340 |         |         | 983595  |

- Single stainless steel stem extension 100 mm



| DN      | 15      | 20 | 25 | 32      | 40      | 50      | 65      | 80      | 100     | 125     | 150 |
|---------|---------|----|----|---------|---------|---------|---------|---------|---------|---------|-----|
| Ref. JC | 9810615 |    |    | 9810616 | 9810617 | 9810618 | 9810619 | 9810620 | 9810621 | 9810622 |     |

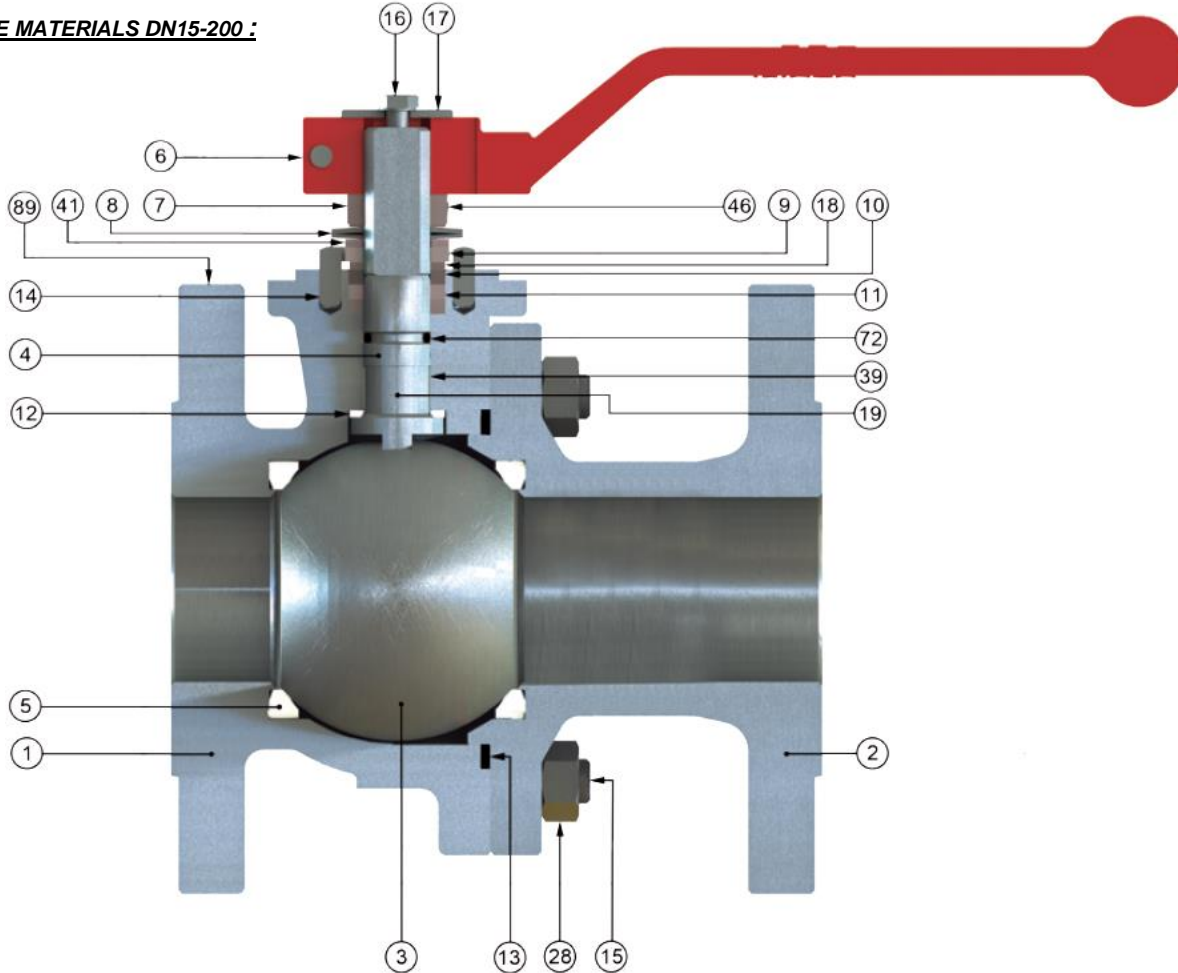
- Stainless steel stem extension 100 mm with ISO plate



| DN      | 15           | 20        | 25        | 32           | 40        | 50        | 65        | 80         | 100        | 125        | 150 | 200 |
|---------|--------------|-----------|-----------|--------------|-----------|-----------|-----------|------------|------------|------------|-----|-----|
| Ref. SF | JCRISO015020 | JCRISO025 | JCRISO032 | JCRISO040050 | JCRISO065 | JCRISO080 | JCRISO100 | JCVSSBI125 | JCVSSBI150 | JCVSSBI200 |     |     |

**2 PIECES STAINLESS STEEL BALL VALVE PN16/40 FLANGED JC RANGE SHORT PATTERN  
(DIN 3202-1 F4/F5) PTFE FILLED STAINLESS STEEL STANSIT SEAT**

**VALVE MATERIALS DN15-200 :**



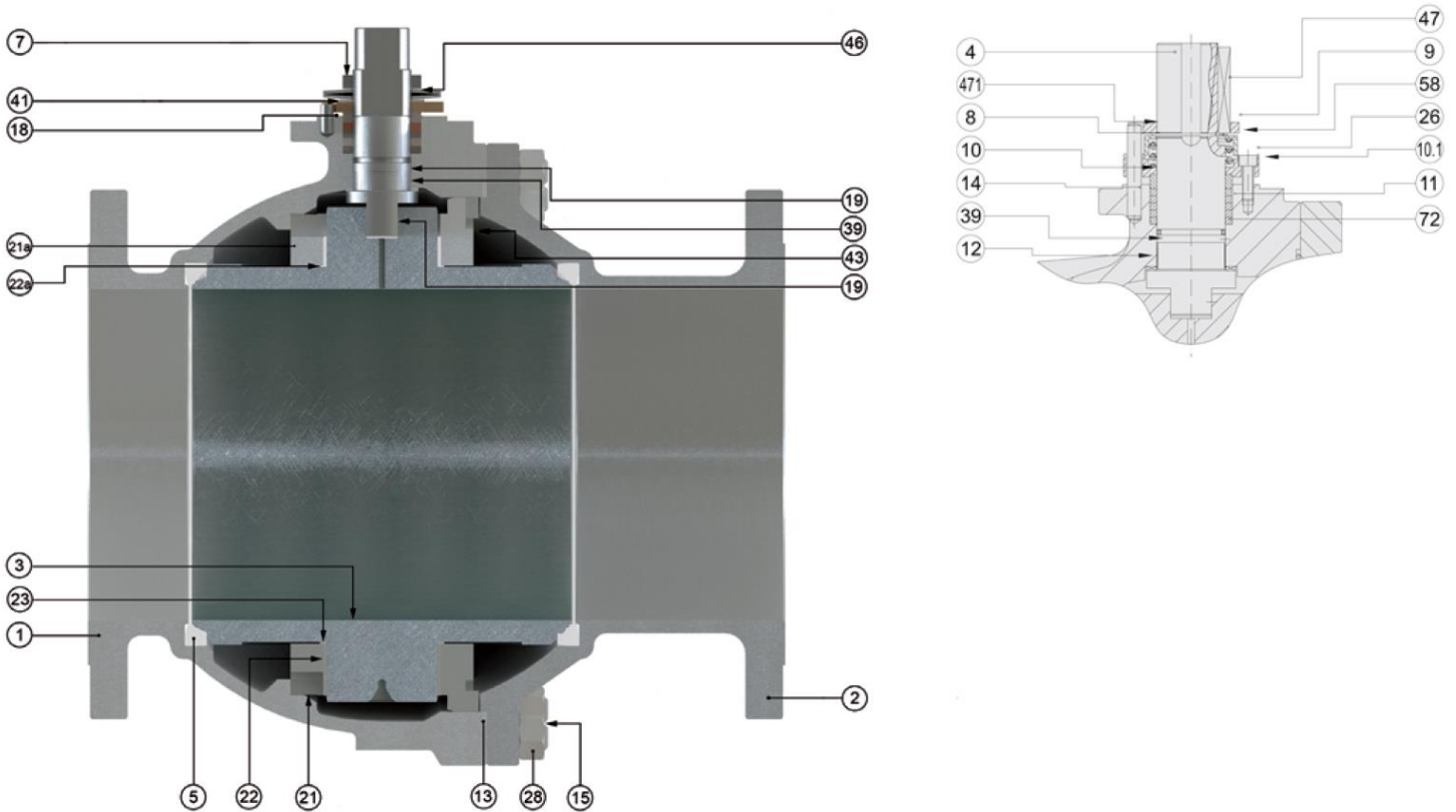
(\* : Included in gaskets kit )

| Item | Designation    | Materials                  |
|------|----------------|----------------------------|
| 1    | Body           | EN 1.4408                  |
| 2    | Ends           |                            |
| 3    | Ball DN15-25   | ASTM A479 Tp.316           |
|      | Ball DN 32-200 | Inox ASTM A 351 CF8M       |
| 4    | Stem           | ASTM A479 Tp.316           |
| 5*   | Seat           | PTFE filled 50% SS Stansit |
| 6    | Handle         | Carbon steel A216 WCB      |
| 7    | Packing nut    | AISI 303                   |
| 8    | Elastic ring   | A666 TP.301                |
| 9    | Stop washer    | AISI 304                   |
| 10   | Packing gland  | AISI 316                   |
| 11*  | Packing        | Graphite                   |
| 12*  | Gasket         | PTFE filled with 25% glass |

| Item | Designation             | Materials                   |
|------|-------------------------|-----------------------------|
| 13*  | Body spiral seat        | AISI 316L + PTFE + Graphite |
| 14   | Pin                     | Stainless Steel             |
| 15   | Screw (stud DN32-100)   | DIN 933 A4-70               |
| 16   | Handle screw            | DIN 933 A4-70               |
| 17   | Washer                  | AISI 304                    |
| 18*  | Thrust washer           | PTFE filled with 25% glass  |
| 19   | Antistatic device       | Stainless steel             |
| 28   | Nut (DN32-100)          | DIN 934 A4-70               |
| 39   | Stem bushing (DN25-200) | PTFE filled with 25% glass  |
| 41   | Spacer (DN40-200)       | AISI 304                    |
| 46*  | Washer                  |                             |
| 72*  | O ring                  | FKM                         |
| 89   | ID plate                | Stainless steel             |

**2 PIECES STAINLESS STEEL BALL VALVE PN16/40 FLANGED JC RANGE SHORT PATTERN  
(DIN 3202-1 F4/F5) PTFE FILLED STAINLESS STEEL STANSIT SEAT**

**VALVE MATERIALS DN 250-300 :**



(\* : Included in gaskets kit )

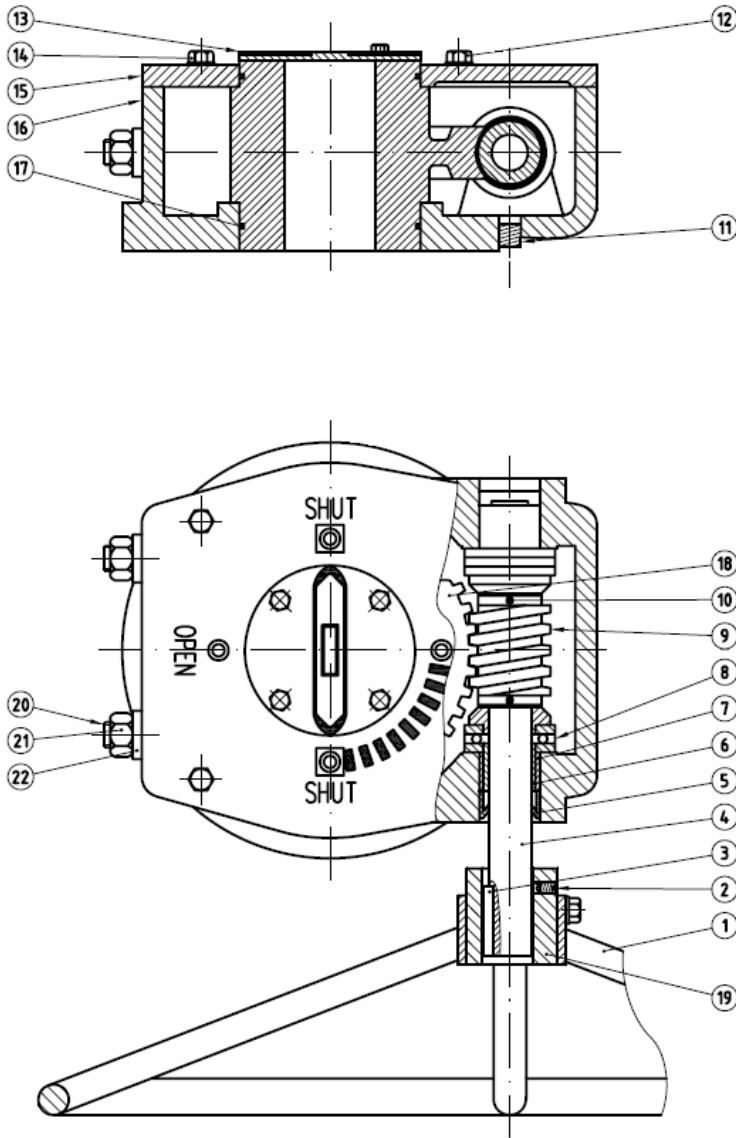
| Item | Designation    | Materials                  |
|------|----------------|----------------------------|
| 1    | Body           | EN 1.4408                  |
| 2    | Ends           |                            |
| 3    | Ball           | ASTM A 351 CF8M            |
| 4    | Stem           | ASTM A479 Tp.316           |
| 5*   | Seat           | PTFE filled 50% SS Stansit |
| 7    | Packing gland  | Ductile iron               |
| 8    | Elastic washer | AISI 303                   |
| 9    | Pin            | A 666 TP.301               |
| 10   | Gland          | AISI 304                   |
| 10.1 | Ring           | AISI 316                   |
| 11*  | Packing        | Graphite                   |
| 12*  | Gasket         | PTFE filled with 25% glass |
| 13*  | Body seat      | AISI 316L + Graphite       |
| 14   | Stop pin       | Stainless steel            |
| 15   | Stud           | A193 Gr. B8M               |

| Item   | Designation          | Materials                  |
|--------|----------------------|----------------------------|
| 18*    | Bushing              | PTFE filled with 25% glass |
| 19     | Antistatic device    | Stainless steel            |
| 21/21a | Ball trunnion        | AISI 316                   |
| 22/22a | Trunnion bearing     | PTFE + 50% Stainless steel |
| 23     | Bearing              | PTFE                       |
| 26     | Bolt                 | DIN 912 A2                 |
| 28     | Nut (only for DN250) | A 194 Gr.8M                |
| 39     | Stem bushing (DN250) | PTFE + 50% Stainless steel |
| 39     | Stem bushing (DN300) | AISI 316 + PTFE            |
| 41     | Spacer               | Stainless steel            |
| 43-47  | Key                  | AISI 316                   |
| 46*    | Locking washer       | AISI 304                   |
| 58     | Spring protection    | Stainless steel            |
| 72*    | O ring               | FKM                        |
| 89     | ID plate             | Stainless steel            |
| 471    | Retainer             | DIN 933 A2-70              |



**2 PIECES STAINLESS STEEL BALL VALVE PN16/40 FLANGED JC RANGE SHORT PATTERN  
(DIN 3202-1 F4/F5) PTFE FILLED STAINLESS STEEL STANSIT SEAT**

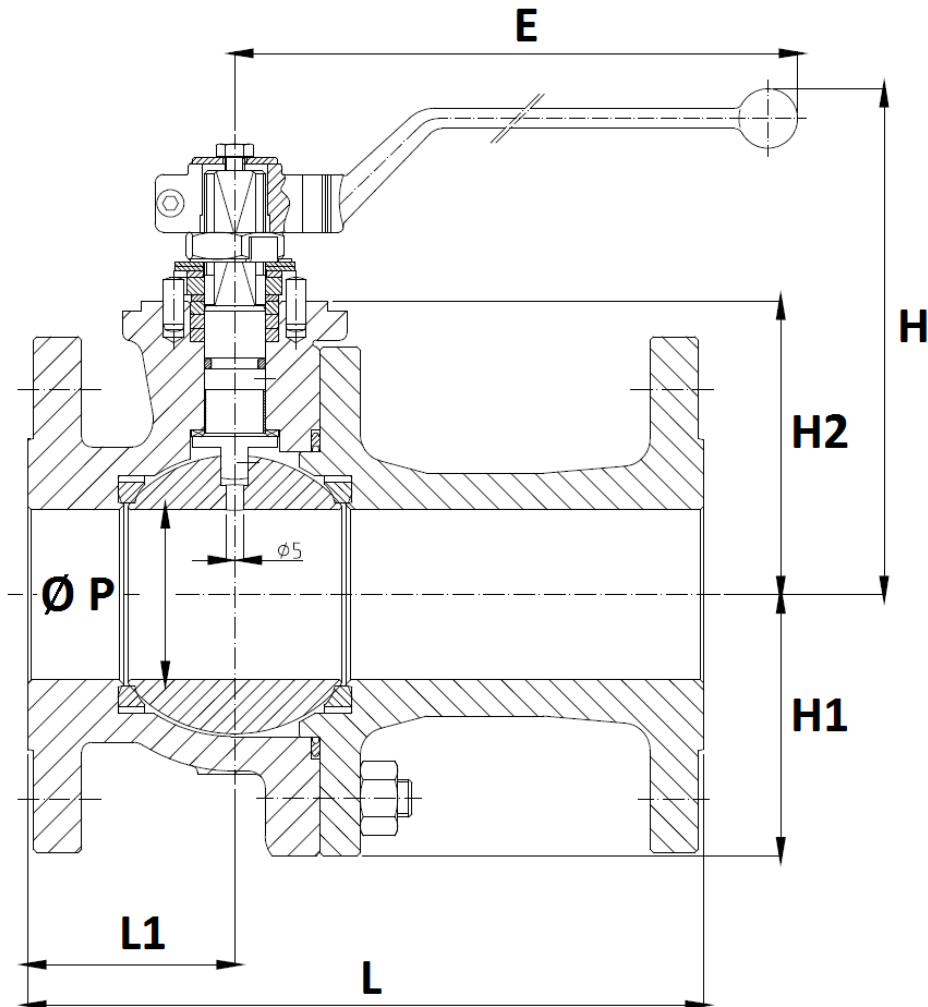
**GEARBOX MATERIALS :**



| Item     | Designation             | Materials     |
|----------|-------------------------|---------------|
| 1        | Handwheel               | Carbon steel  |
| 2        | Screw                   |               |
| 3        | Stem key                |               |
| 4        | Input shaft             | AISI 1045     |
| 5        | Oil seal                | Rubber        |
| 6        | Bearing                 | Cu Base Alloy |
| 7        | Oil bearing             |               |
| 8        | Thrust bearing          | Carbon steel  |
| 9        | Worm                    | AISI 1045     |
| 10       | Pin                     | Carbon steel  |
| 11       | Plug                    |               |
| 12       | Screw                   |               |
| 13       | Indicator plate         | Cast iron     |
| 14       | Screw                   | Carbon steel  |
| 15       | Cover                   | Cast iron     |
| 16       | Housing                 |               |
| 17       | O ring                  | Rubber        |
| 18       | Worm gear               | Ductile iron  |
| 19       | Nut                     | Carbon steel  |
| 20       | Stop screw              |               |
| 21       | Nut                     |               |
| 22       | Hex nut                 |               |
| 23-24    | Spur gear cover+housing | Cast iron     |
| 25       | Seal cover              | Rubber        |
| 26-27-28 | Screw+washer            | Carbon steel  |
| 29       | Gear                    |               |
| 30       | Bearing                 | Cu Base Alloy |
| 31       | Bolt                    | Carbon steel  |
| 32       | Slotted spring pin      |               |
| 33       | Spur gear               |               |
| 34       | Locator pins            |               |

**2 PIECES STAINLESS STEEL BALL VALVE PN16/40 FLANGED JC RANGE SHORT PATTERN  
(DIN 3202-1 F4/F5) PTFE FILLED STAINLESS STEEL STANSIT SEAT**

**VALVE SIZE DN15-200 ( in mm ) :**



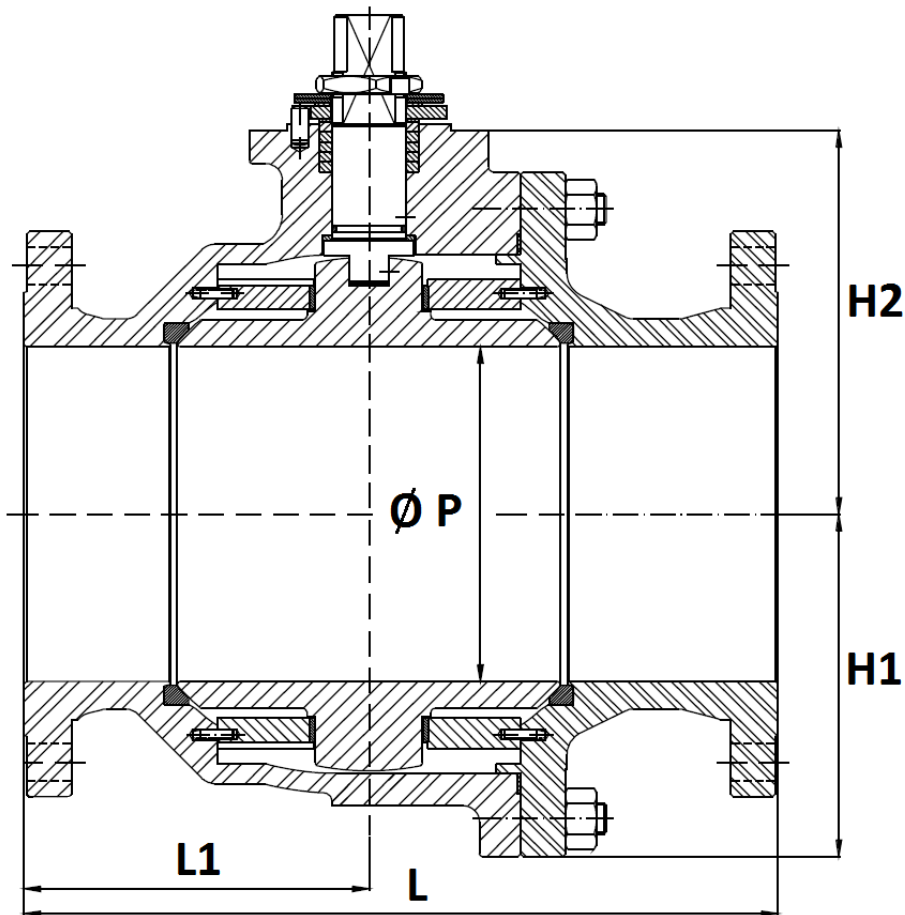
| DN         | 15            | 20            | 25            | 32            | 40            | 50            | 65            | 80            | 100           | 125           | 150           | 200*          |
|------------|---------------|---------------|---------------|---------------|---------------|---------------|---------------|---------------|---------------|---------------|---------------|---------------|
| Ø P        | 15            | 20            | 25            | 32            | 40            | 50            | 65            | 80            | 100           | 125           | 151           | 203           |
| L          | 115           | 120           | 125           | 130           | 140           | 150           | 170           | 180           | 190           | 325           | 350           | 400           |
| L1         | 53            | 52            | 48.5          | 54            | 55            | 61            | 75.5          | 82            | 90.5          | 120           | 135           | 200           |
| E          | 164           | 164           | 164           | 210           | 213           | 213           | 348           | 445           | 495           | 698           | 698           | 868           |
| H          | 111           | 118           | 130           | 131           | 148           | 155           | 169           | 207           | 232           | 265           | 298           | 353           |
| H1         | -             | -             | -             | -             | -             | -             | -             | -             | 118           | 138           | 160           | 208           |
| H2         | 46            | 53            | 58            | 66.5          | 76            | 83.5          | 97            | 111           | 133           | 156           | 183           | 233           |
| Weig. (Kg) | 2.8           | 3.6           | 5             | 7             | 9             | 12            | 16            | 22            | 32            | 52.5          | 76            | 111           |
| Ref.       | 540IIS<br>015 | 540IIS<br>020 | 540IIS<br>025 | 540IIS<br>032 | 540IIS<br>040 | 540IIS<br>050 | 516IIS<br>065 | 516IIS<br>080 | 516IIS<br>100 | 516IIS<br>125 | 516IIS<br>150 | 516IIS<br>200 |

Handle on request for DN200 (free stem in standard)



**2 PIECES STAINLESS STEEL BALL VALVE PN16/40 FLANGED JC RANGE SHORT PATTERN  
(DIN 3202-1 F4/F5) PTFE FILLED STAINLESS STEEL STANSIT SEAT**

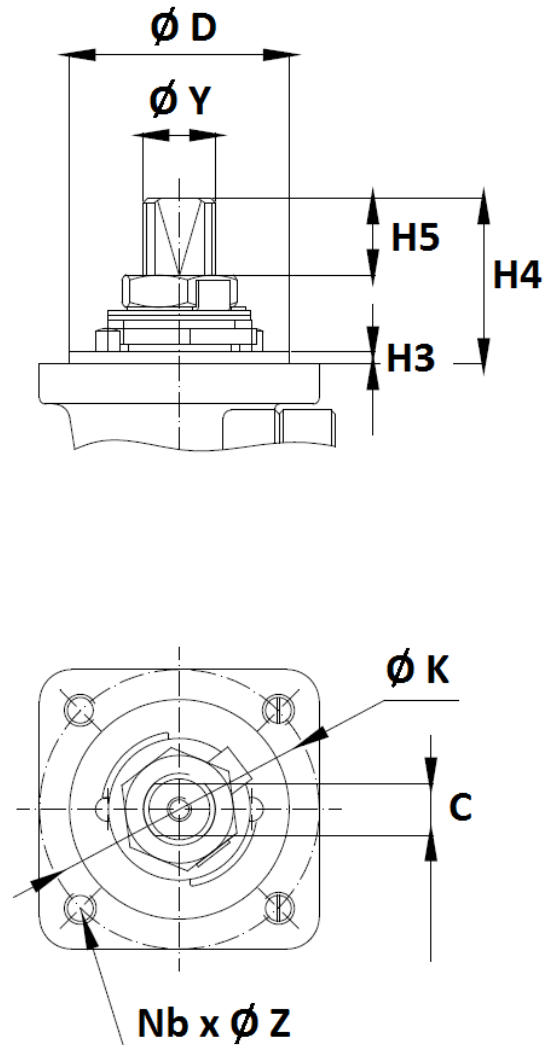
VALVE SIZE DN 250-300 ( in mm ) :



| DN             | 250       | 300       |
|----------------|-----------|-----------|
| Ø P            | 254       | 305       |
| L              | 450       | 500       |
| L1             | 225       | 245       |
| H1             | 239       | 288       |
| H2             | 256       | 297       |
| Weight (in Kg) | 223       | 323       |
| Ref.           | 516IIS250 | 516IIS300 |

**2 PIECES STAINLESS STEEL BALL VALVE PN16/40 FLANGED JC RANGE SHORT PATTERN  
(DIN 3202-1 F4/F5) PTFE FILLED STAINLESS STEEL STANSIT SEAT**

**ISO MOUNTING PAD AND STEM SIZE DN15-200 ( in mm ) :**

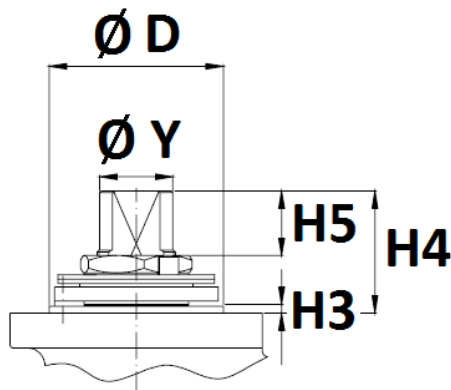


| DN      | 15      | 20     | 25     | 32      | 40      | 50     | 65      | 80      | 100     | 125     | 150     | 200     |
|---------|---------|--------|--------|---------|---------|--------|---------|---------|---------|---------|---------|---------|
| H3      | 1.5     |        |        |         | 3       |        |         |         |         |         |         | 4       |
| H4      | 11.2    | 14.7   | 22.7   | 32      | 41.5    | 41.5   | 44      | 44.5    | 56.5    | 56      | 68      | 72      |
| H5      | 5       | 8.5    | 9.5    | 13      | 18.3    | 18.3   | 18.6    | 18.6    | 27.8    | 24.7    | 37.1    | 36.5    |
| C       | 9       | 9      | 9      | 12      | 13      | 13     | 16      | 18      | 20      | 25      | 29      | 32      |
| Ø Y     | M12x1.5 |        |        | M16x1.5 | M18x1.5 |        | M22x1.5 | M25x1.5 | M28x1.5 | M35x2   | M40x2   | M45x2   |
| Ø D     | 35      |        |        |         | 55      |        |         | 70      |         | 85      |         | 100     |
| Ø K     | 50      | 50     | 50     | 50      | 70      | 70     | 70      | 102     | 102     | 125     | 125     | 140     |
| ISO     | F05     | F05    | F05    | F05     | F07     | F07    | F07     | F10     | F10     | F12     | F12     | F14     |
| N x Ø Z | 4 x M6  | 4 x M6 | 4 x M6 | 4 x M6  | 4 x M8  | 4 x M8 | 4 x M8  | 4 x M10 | 4 x M10 | 4 x M12 | 4 x M12 | 4 x M16 |

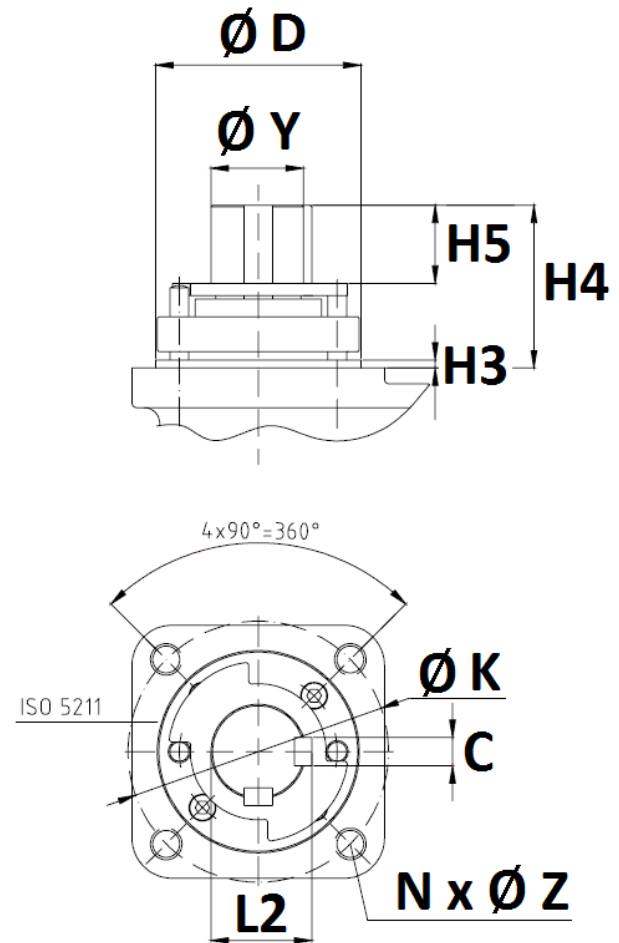
**2 PIECES STAINLESS STEEL BALL VALVE PN16/40 FLANGED JC RANGE SHORT PATTERN  
(DIN 3202-1 F4/F5) PTFE FILLED STAINLESS STEEL STANSIT SEAT**

**ISO MOUNTING PAD AND STEM SIZE DN250-300 ( in mm ) :**

**DN 250**



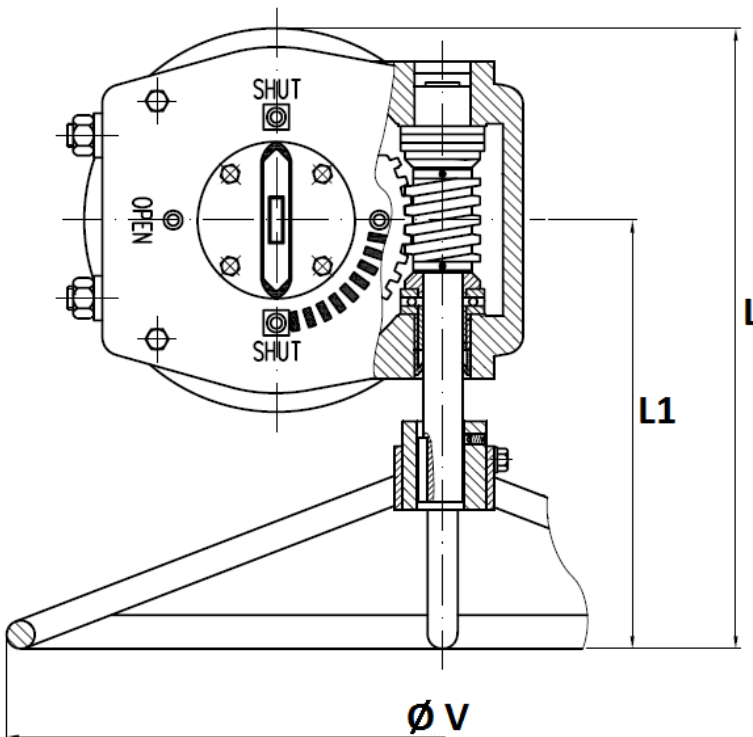
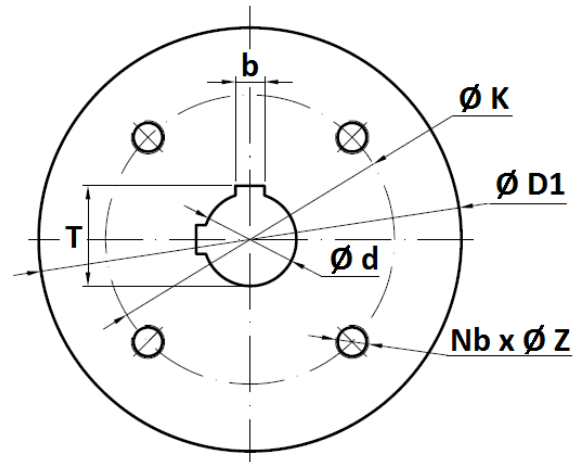
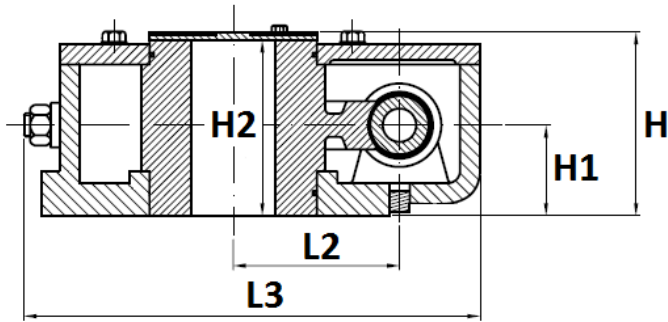
**DN300**



| DN      | 250     | 300     |
|---------|---------|---------|
| H3      | 4       | 4       |
| H4      | 72      | 106     |
| H5      | 36.5    | 58      |
| L2      | -       | 53.5    |
| C       | 32      | 14      |
| Ø Y     | M45x2   | Ø50     |
| Ø D     | 100     | 100     |
| Ø K     | 140     | 140     |
| ISO     | F14     | F14     |
| N x Ø Z | 4 x M16 | 4 x M16 |

**2 PIECES STAINLESS STEEL BALL VALVE PN16/40 FLANGED JC RANGE SHORT PATTERN  
(DIN 3202-1 F4/F5) PTFE FILLED STAINLESS STEEL STANSIT SEAT**

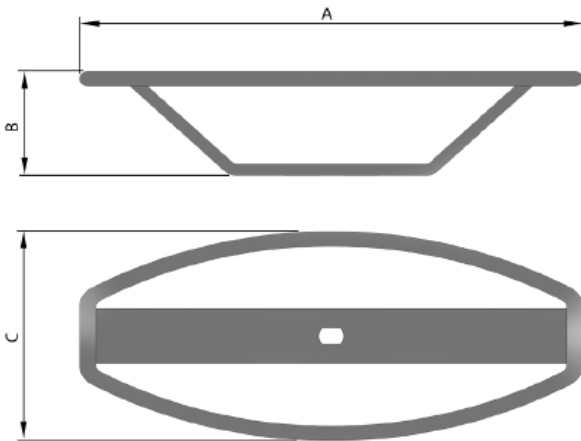
**GEARBOX SIZE DN125-300 ( in mm ) :**



| DN          | 125-150-200 | 250      | 300      |
|-------------|-------------|----------|----------|
| Ø V         | 465         | 600      | 600      |
| L           | 331.5       | 487      | 544      |
| L1          | 229         | 370      | 402      |
| L2          | 77.5        | 90       | 126      |
| L3          | 245         | 282      | 312      |
| H           | 107         | 107      | 113.5    |
| H1          | 55          | 55       | 65       |
| H2          | 85          | 85       | 90       |
| Ø d         | 45          | 65       | 80       |
| Ø D1        | 205         | 254      | 290      |
| Ø K         | 140         | 140      | 165      |
| ISO         | F14         | F14      | F16      |
| Nb - Ø Z    | 4-M16x20    | 4-M16x20 | 4-M20x25 |
| b           | 14          | 18       | 22       |
| T           | 48.6        | 69.3     | 85.6     |
| Weight (Kg) | 17.8        | 22.5     | 36       |
| Torque (Nm) | 1200        | 2000     | 3300     |

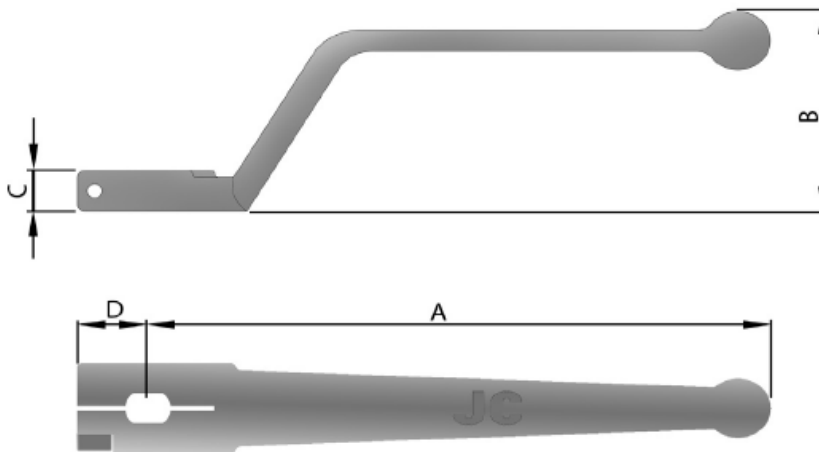
**2 PIECES STAINLESS STEEL BALL VALVE PN16/40 FLANGED JC RANGE SHORT PATTERN  
(DIN 3202-1 F4/F5) PTFE FILLED STAINLESS STEEL STANSIT SEAT**

**OVAL HANDWHEEL SIZE DN15-50 ( in mm ) :**



| DN          | 15      | 20      | 25   | 32      | 40      | 50   |
|-------------|---------|---------|------|---------|---------|------|
| A           | 160     | 160     | 160  | 200     | 216     | 216  |
| B           | 54      | 54      | 54   | 56      | 57      | 57   |
| C           | 75      | 75      | 75   | 90      | 100     | 100  |
| Weight (Kg) | 0.25    | 0.25    | 0.25 | 0.5     | 0.55    | 0.55 |
| Ref.        | 9830575 | 9830578 |      | 9830576 | 9830577 |      |

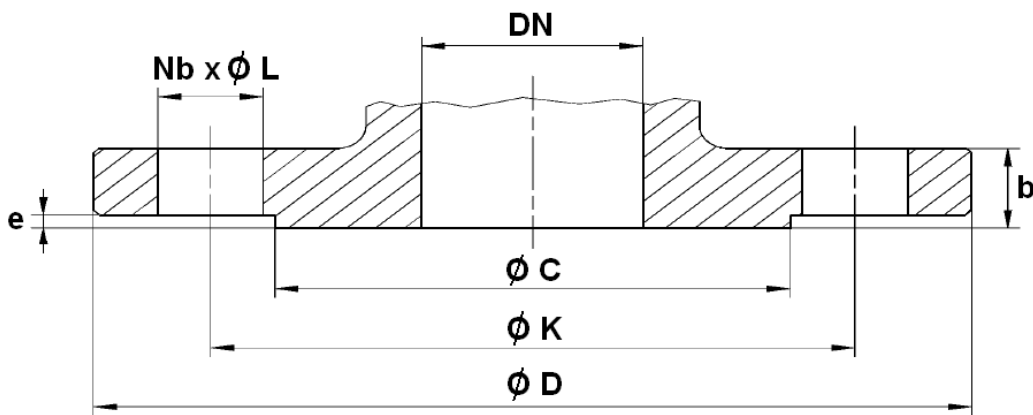
**STAINLESS STEEL HANDLE SIZE DN15-200 ( in mm ) :**



| DN          | 15      | 20 | 25      | 32 | 40      | 50 | 65      | 80      | 100     | 125     | 150     | 200   |
|-------------|---------|----|---------|----|---------|----|---------|---------|---------|---------|---------|-------|
| A           | 163.5   |    | 300     |    | 212.5   |    | 347.5   | 445     | 495     | 697.5   |         | 867.5 |
| B           | 58.5    |    | 45      |    | 48.5    |    | 46.5    | 70      | 70      | 77.5    | 84.5    | 84.5  |
| C           | 12      |    | 16      |    | 21      |    | 20      |         | 29      | 30      | 40      |       |
| D           | 18.5    |    | 22      |    | 25.5    |    |         | 33      |         | 47      |         | 55    |
| Weight (Kg) | 0.2     |    | 0.3     |    | 0.53    |    | 0.63    | 1.52    | 1.85    | 2.95    | 3.4     | 4.6   |
| Ref.        | 9830513 |    | 9830514 |    | 9830515 |    | 9830516 | 9830517 | 9830518 | 9830519 | 9830520 |       |

**2 PIECES STAINLESS STEEL BALL VALVE PN16/40 FLANGED JC RANGE SHORT PATTERN  
(DIN 3202-1 F4/F5) PTFE FILLED STAINLESS STEEL STANSIT SEAT**

**FLANGES SIZE ( in mm ) :**



| DN       | 15     | 20     | 25     | 32     | 40     | 50     | 65     | 80     | 100    | 125    | 150    | 200     | 250     | 300     |
|----------|--------|--------|--------|--------|--------|--------|--------|--------|--------|--------|--------|---------|---------|---------|
| Ø C      | 45     | 58     | 68     | 78     | 88     | 102    | 122    | 138    | 158    | 188    | 212    | 268     | 323.8   | 381     |
| Ø D      | 95     | 105    | 115    | 140    | 150    | 165    | 185    | 200    | 220    | 250    | 285    | 340     | 405     | 460     |
| Ø K      | 65     | 75     | 85     | 100    | 110    | 125    | 145    | 160    | 180    | 210    | 240    | 295     | 320     | 378     |
| Nb x Ø L | 4 x 14 | 4 x 14 | 4 x 14 | 4 x 18 | 4 x 18 | 4 x 18 | 4 x 18 | 8 x 18 | 8 x 18 | 8 x 18 | 8 x 22 | 12 x 22 | 12 X 26 | 12 X 26 |
| b        | 16     | 18     | 18     | 18     | 18     | 20     | 18     | 20     | 20     | 22     | 22     | 24      | 26      | 28      |
| e        | 2      | 2      | 2      | 2      | 3      | 3      | 3      | 3      | 3      | 3      | 3      | 3       | 3       | 4       |



**2 PIECES STAINLESS STEEL BALL VALVE PN16/40 FLANGED JC RANGE SHORT PATTERN  
(DIN 3202-1 F4/F5) PTFE FILLED STAINLESS STEEL STANSIT SEAT**

**STANDARDS :**

- Manufacturer certified ISO 9001:2015 and ISO 14001 : 2015
- DIRECTIVE 2014/68/EU : CE N° 0056  
Risk Category IV module H1
- Certificate 3.1 on request
- Valve designing according to EN 1983 – ISO 17292 and EN 12516
- Materials according to NACE MR 01-75
- Pressure Tests according to EN 12266-1, Rate A
- Marking according to EN 19
- Fire safe according to ISO 10497 : 2004, API 607 5th, BS6755 Part 2, and API 6FA 1994
- Fugitive Emissions according to EN 15848-1 : 2006 B Class and TA LUFT VDI 2440
- SIL2 according to IEC/EN 61508, SIL 3 possible according to the type of installation
- Flanges R.F. type B1 according to EN 1092-1 PN16/40
- Shell finishing quality MSS SP 55
- ISO 5211 mounting pad
- Length according to EN 558 series 27 ( DIN 3357-2 ff, DINI 3202-1 F4 up to DN100, F5 over)
- ATEX Group II Category 2 G/2Dc Zone 1 & 21 Zone 2 & 22 ( optional marking ) up to DN200 according to directive 2014/34/EU
- Russian certificate TRCU 10, TRCU 12 and TRCU 32 (EAC marking and declaration **on request**)

**ADVICE :** Our opinion and our advice are not guaranteed and SFERACO shall not be liable for the consequences of damages.  
The customer must check the right choice of the products with the real service conditions.