

46G

Strainer without valves

Accessories

Technical Data Sheet



- Perforated surface of the strainer equal to 3 times the nominal passage
- Epoxy coated flange



46G

Strainer without valves - Accessories

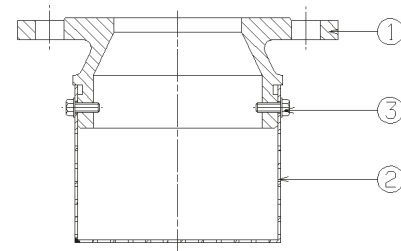
DN		PN	Ref.	Weight Kg
"	mm			
2	50	10/16	149B2139	2,15
2 1/2	65	10/16	149B2140	2,93
3	80	10/16	149B2141	3,99
4	100	10/16	149B2142	5,81
5	125	10/16	149B2821	7,00
6	150	10/16	149B2822	9,50
7	175	10/16	149B2823	14,00
8	200	10	149B2824	20,00
10	250	10	149B2825	25,00
12	300	10	149B2826	36,50
14	350	10	149B2827	55,00
16	400	0	149B2828	75,50

Technical features

Operating temperature	0 °C to 80 °C
Connection	Flange drilled PN : see table
Mediums	Hydrocarbons, non corrosive liquids

Nomenclature and materials

N°	Description	Materials	EURO	ANSI
1	Flange	Cast iron / Epoxy	EN GJL 250	ASTM A 48 35 B
2	Strainer	Galvanised steel		
3	Screw	DN 50 to 175	Galvanised steel	
		DN 200 to 400	Brass	



Approvals



International construction Standards :
Flange drilling according to EN 1092-2

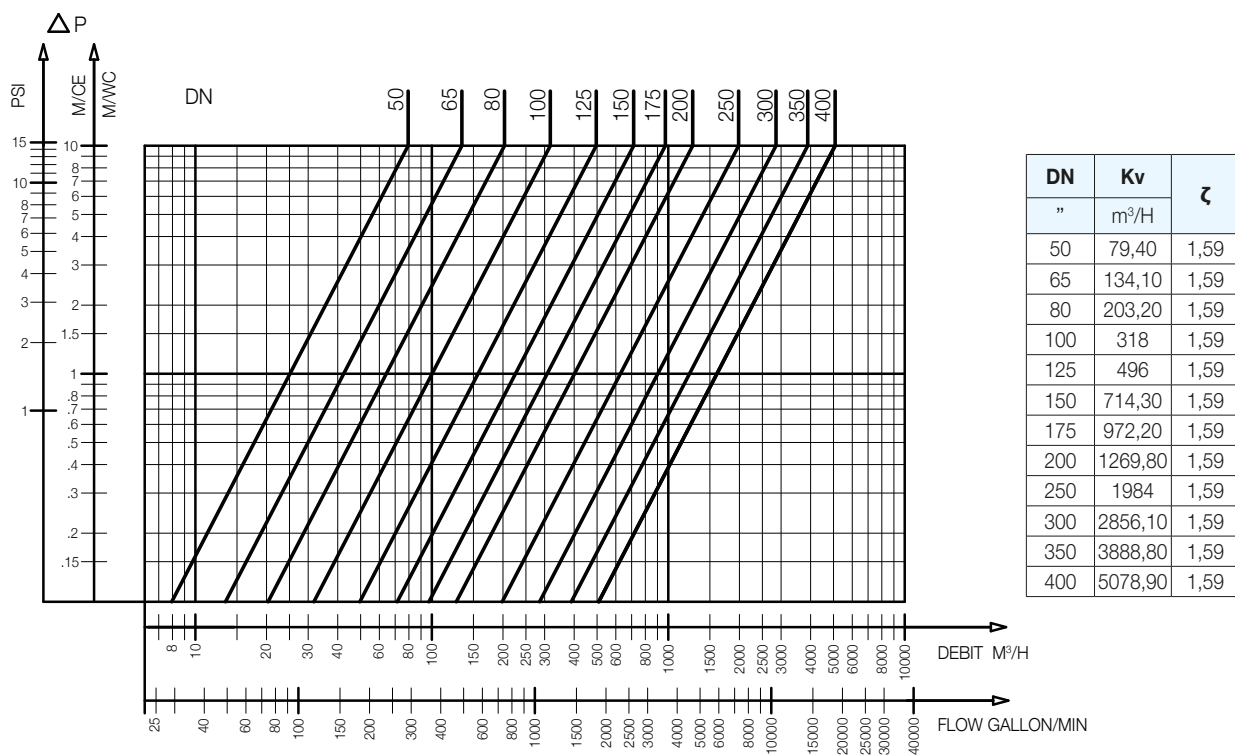
Application

Pumping, irrigation.

Operation

Direction for use :

- Solid line: Valve completely open

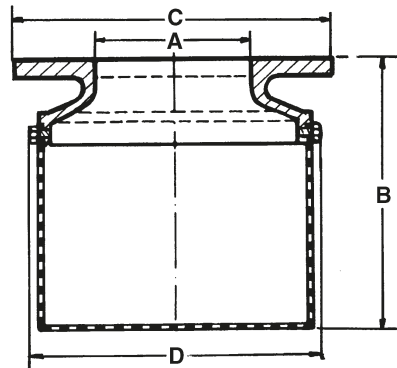


46G - Headloss chart

Sizing

A		B	C	D	Mesh
"	mm	mm	mm	mm	mm
2	50	100	165	97	Ø 6 x 8,5
2 1/2	65	120	185	117	Ø 6 x 8,5
3	80	140	200	139	Ø 8 x 13
4	100	167	220	169	Ø 8 x 13
5	125	217	250	225	Ø 8 x 12
6	150	250	285	265	Ø 8 x 12
7	175	281	315	315	Ø 10 x 14
8	200	326	340	366	Ø 10 x 14
10	250	366	395	436	Ø 10 x 14
12	300	414	445	506	Ø 10 x 14
14	350	444	505	636	Ø 12 x 18
16	400	464	565	696	Ø 12 x 18

46G



The descriptions and photographs contained in this product specification sheet are supplied by way of information only and are not binding. Socla reserves the right to carry out any technical and design improvements to its products without prior notice. Warranty : All sales and contracts for sale are expressly conditioned on the buyer's assent to Socla terms and conditions found on its website at www.socla.com. Socla hereby objects to any term, different from or additional to Socla terms, contained in any buyer communication in any form, unless agreed to in a writing signed by an officer of Socla.



A WATTS Brand

Socla sas

365 rue du Lieutenant Putier • 71530 Virey-Le-Grand • France
 Tel. +33 03 85 97 42 00 • Fax +33 03 85 97 42 42
 contact@wattswater.com • www.socla.com
 ISO 9001 version 2015 / ISO 18001