

322

Non-return foot valve
02 System

Technical Data Sheet



Description

Valve with very wide range of applications. It prevents water hammering, it's noiseless and the quality-price ratio is optimal.

- Operates in any position from horizontal to vertical ascending
- Minimum head loss
- Compactness
- Closing system : long back axial guiding and reduced displacement
- Sealing guaranteed by an EPDM seal
- Return spring
- Bronze seat
- Exceptional robustness



322

Non-return foot valve - 02 System

DN	PN	PFA in bar	PS in bar				Cat.	Ref.	Weight Kg
			L1	L2	G1	G2			
2	50	10/16	16	16	x	x	4.3	149B2616	4,3
2 1/2	65	10/16	16	16	x	x	4.3	149B2617	6,4
3	80	10/16	16	16	x	x	4.3	149B2618	9,3
4	100	10/16	16	16	x	x	4.3	149B2619	13,6
5	125	10/16	16	16	x	x	4.3	149B2620	19
6	150	10/16	16	13	x	x	4.3	149B2621	28
8	200	10	10	10	x	x	4.3	149B2622	48
10	250	10	10	10	x	x	I	149B2623	90
12	300	10	10	10	x	x	I	149B2624	133
14	350	10	10	10	x	x	I	149B2625	226
16	400	10	10	10	x	x	I	149B2626	343

Important notice :

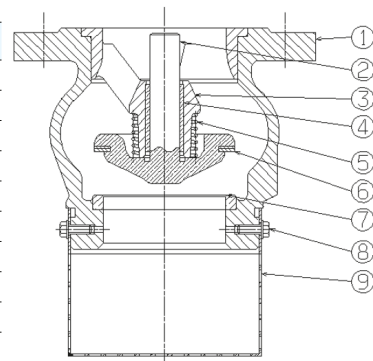
The indicated pressure for the different categories of fluids (L1/L2/G1/G2) is under no condition a guarantee of use. Therefore, it is essential to validate the use of products under given operating conditions. The operating instructions are available on our web site www.socla.com or by requesting from our sales department.

Technical features

Operating temperature	-10 °C to 100 °C
Permissible operating pressure (PFA) in water	See table above
Maximum permissible pressure (PS) other mediums	See table above
Connection	Flange drilled PN (see table)
Mediums	Clear liquids, aggressive liquids

Nomenclature and materials

N°	Description	Materials	EURO	ANSI
1	Body	Cast iron / Epoxy	EN 1561 EN-GJL-250	ASTM A 48 35 B
2	Closing system	Bronze	EN 1982 CuSn5Zn5Pb2-C GS	
3	Guide	DN 50	Bronze	EN 1982 CuSn5Zn5Pb2-C GS
		Others DN	Cast iron / Epoxy	EN 1561 EN-GJL-250
4	Ring	Bronze	EN 1982 CuSn5Zn5Pb2-C GS	
5	Spring	Stainless steel	EN 10270-3 X10CrNi18-8	AISI 302
6	Seal	EPDM		
7	Seat	Bronze	EN 1982 CuSn5Zn5Pb2-C GS	
8	Screw	Galvanised steel		
9	Strainer	Galvanised steel		



Approvals



International construction Standards :
 Directive 2014/68/UE
 Flange drilling according to EN 1092-2

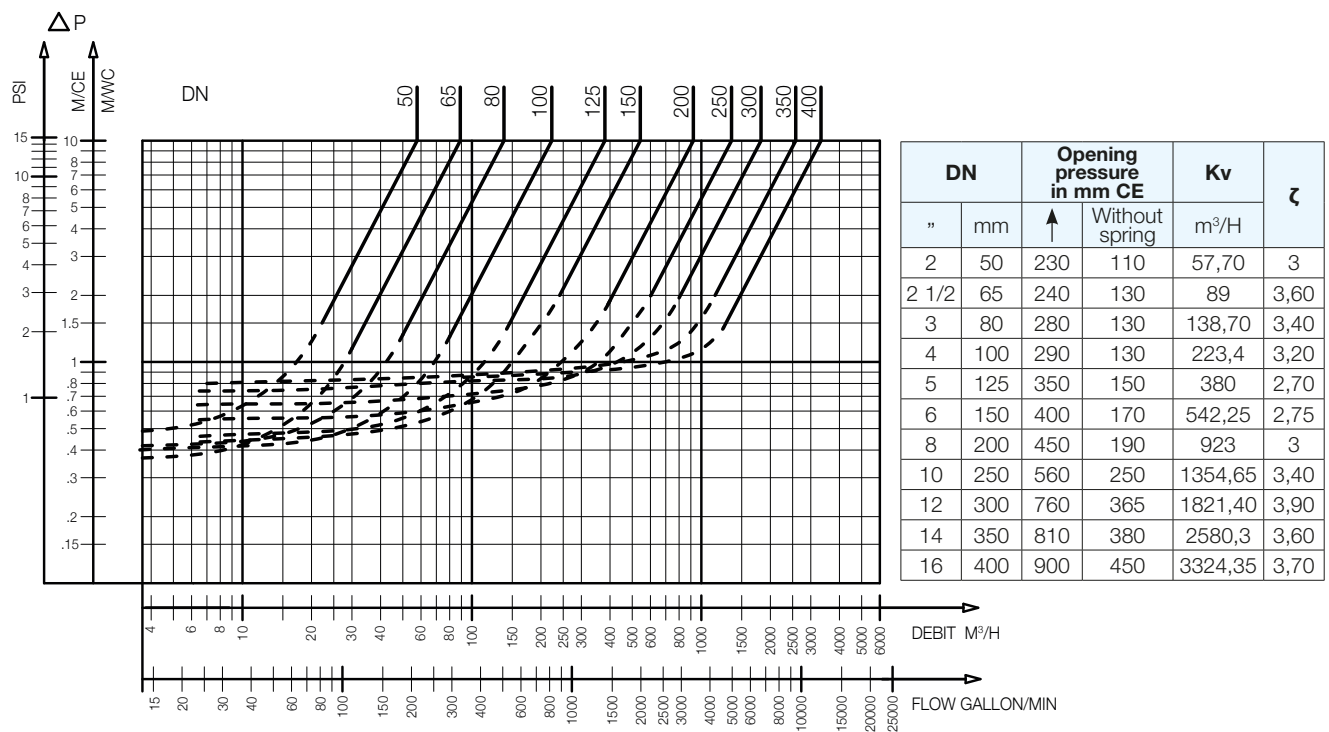
Application

Clear water and aggressive liquids, Pumping.

Operation

Direction for use :

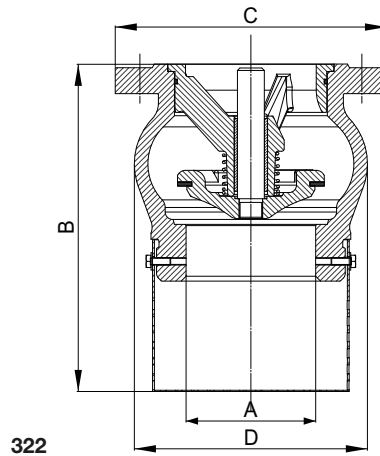
- Solid line : Valve completely open
- Dotted line : opening stage of valve



322 - Headloss chart

Sizing

	A	B	C	D
"	mm	mm	mm	mm
2	50	143	165	97
2 1/2	65	185	185	125
3	80	218	200	150
4	100	265	220	181
5	125	333	254	217
6	150	373	285	256
8	200	483	343	336
10	250	572	406	416
12	300	652	482	486
14	350	771	533	580
16	400	876	597	676



The descriptions and photographs contained in this product specification sheet are supplied by way of information only and are not binding.

Socla reserves the right to carry out any technical and design improvements to its products without prior notice. Warranty : All sales and contracts for sale are expressly conditioned on the buyer's assent to Socla terms and conditions found on its website at www.socla.com. Socla hereby objects to any term, different from or additional to Socla terms, contained in any buyer communication in any form, unless agreed to in a writing signed by an officer of Socla.



A WATTS Brand

Socla sas

365 rue du Lieutenant Putier • 71530 Virey-Le-Grand • France
 Tel. +33 03 85 97 42 00 • Fax +33 03 85 97 42 42
contact@wattswater.com • www.socla.com
 ISO 9001 version 2015 / ISO 18001