

312

Non-return foot valve
02 System

Technical Data Sheet



Description

Valve with very wide range of applications. It prevents water hammering, it's noiseless and the quality-price ratio is optimal.

- Operates in any position from horizontal to vertical ascending
- Minimum head loss
- Compactness
- Exceptional robustness
- Closing system : long back axial guiding and reduced displacement
- Sealing guaranteed by an EPDM seal
- Return spring



312

Non-return foot valve - 02 System

"	DN mm	PN	PFA in bar	PS in bar				Cat.	Ref.	Weight Kg
				L1	L2	G1	G2			
5	125	10/16	16	16	16	x	x	4.3	149B2720	19
6	150	10/16	16	13	16	x	x	4.3	149B2721	28
8	200	16	16	10	16	x	x	4.3	149B2722	48
10	250	16	16	10	16	x	x	I	149B2723	90
12	300	16	16	10	16	x	x	I	149B2724	133
14	350	16	16	10	16	x	x	I	149B2725	226
16	400	16	16	10	10	x	x	I	149B2726	343

Important notice :

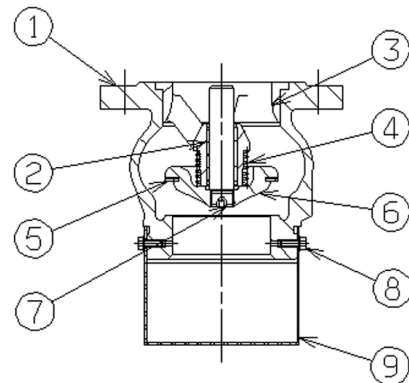
The indicated pressure for the different categories of fluids (L1/L2/G1/G2) is under no condition a guarantee of use. Therefore, it is essential to validate the use of products under given operating conditions. The operating instructions are available on our web site www.socla.com or by requesting from our sales department.

Technical features

Operating temperature	-10 °C to 100 °C
Permissible operating pressure (PFA) in water	See table above
Maximum permissible pressure (PS) other mediums	See table above
Connection	Flange drilled PN (see table)
Mediums	Clear liquids

Nomenclature and materials

N°	Description	Materials	EURO	ANSI
1	Body	Cast iron / Epoxy	EN 1561 EN-GJL-250	ASTM A 48 35 B
2	Ring	Bronze	EN 1982 CuSn5Zn5Pb2-C GS	
3	Guide	DN 50	Bronze	EN 1982 CuSn5Zn5Pb2-C GS
	Others DN	Cast iron / Epoxy	EN 1561 EN-GJL-250	ASTM A 48 35 B
4	Spring	Stainless steel	EN 10270-3 X10CrNi18-8	AISI 302
5	Seal	EPDM		
6	Closing system	DN 50-65 : one-piece	Cast iron / Epoxy	EN 1561 EN-GJL-250
			Bronze	EN 1982 CuSn5Zn5Pb2-C GS
7	Stem	Bronze	EN 1982 CuSn5Zn5Pb2-C GS	
8	Screw	DN 50 à 150	Galvanised steel	
		DN 200 à 400	Brass	
9	Strainer	Galvanised steel		



Approvals



International construction Standards :
Directive 2014/68/UE
Flange drilling according to EN 1092-2

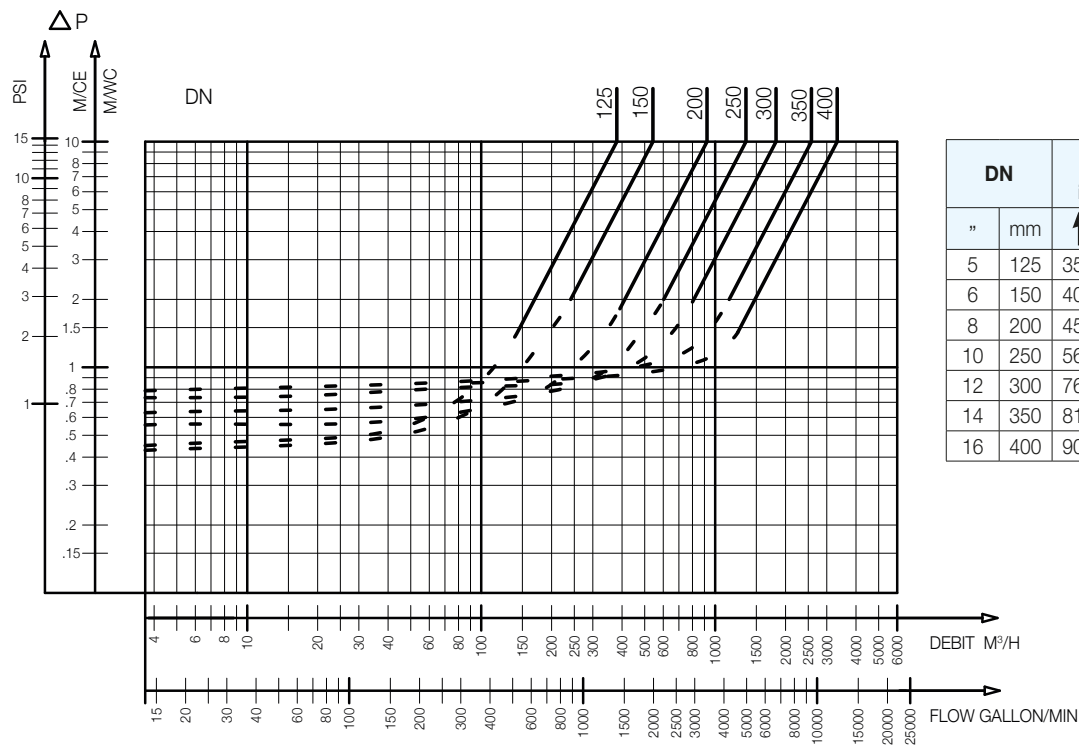
Application

Clear water pumping.

Operation

Direction for use :

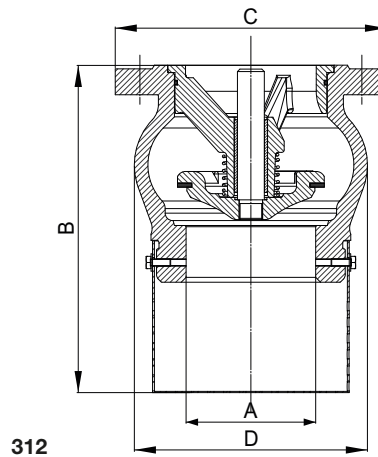
- Solid line : Valve completely open
- Dotted line : opening stage of valve



312 - Headloss chart

Sizing

A		B	C	D
"	mm	mm	mm	mm
5	125	333	254	217
6	150	373	285	256
8	200	483	343	336
10	250	572	406	416
12	300	652	482	486
14	350	771	533	580
16	400	876	597	676



The descriptions and photographs contained in this product specification sheet are supplied by way of information only and are not binding.

Socla reserves the right to carry out any technical and design improvements to its products without prior notice. Warranty : All sales and contracts for sale are expressly conditioned on the buyer's assent to Socla terms and conditions found on its website at www.socla.com. Socla hereby objects to any term, different from or additional to Socla terms, contained in any buyer communication in any form, unless agreed to in a writing signed by an officer of Socla.



A WATTS Brand

Socla sas

365 rue du Lieutenant Putier • 71530 Virey-Le-Grand • France
 Tel. +33 03 85 97 42 00 • Fax +33 03 85 97 42 42
contact@wattswater.com • www.socla.com
 ISO 9001 version 2015 / ISO 18001