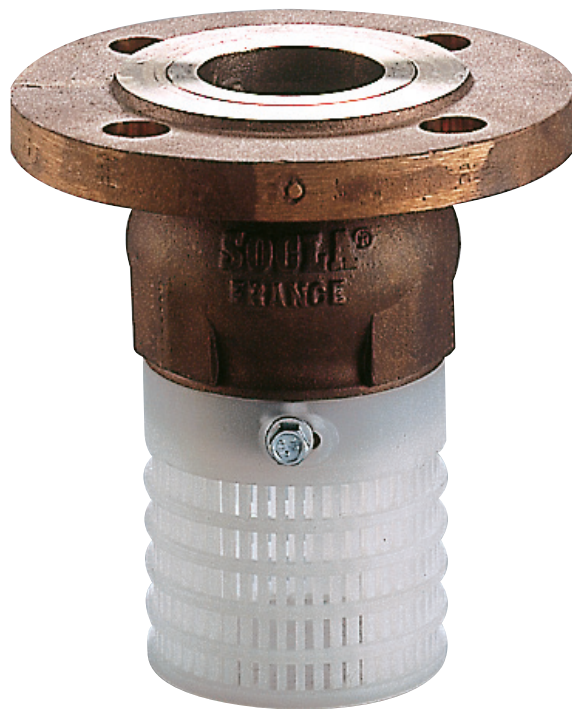


302Z

Non-return foot valve

02 System

Technical Data Sheet



Description

Valve with very wide range of applications. It prevents water hammering, it's noiseless and the quality-price ratio is optimal.

- Operates in any position from horizontal to vertical ascending
- Minimum head loss
- Compactness
- Exceptional robustness
- Closing system : long back axial guiding and reduced displacement
- Sealing guaranteed by an EPDM seal
- Return spring



302Z

Non-return foot valve - 02 System

DN	PN	PFA in bar	PS in bar				Cat.	Ref.	Weight Kg
			L1	L2	G1	G2			
2 50	10/25	25	25	25	x	x	4.3	149B2776	4,3
2 1/2 65	10/16	16	16	16	x	x	4.3	149B2777	6,4
3 80	10/16	16	16	16	x	x	4.3	149B2778	9,3
4 100	10/16	16	16	16	x	x	4.3	149B2779	13,6
5 125	10/16	16	16	16	x	x	4.3	149B14925	19
6 150	10/16	16	13	16	x	x	4.3	149B15032	28
8 200	10	10	10	10	x	x	4.3	149B15917	48
10 250	10	10	10	10	x	x	4.3	149B24322	90
12 300	10	10	10	10	x	x	4.3	149B99360	133
14 350	10	10	10	10	x	x	4.3	149B24545	226
16 400	10	10	10	10	x	x	4.3	149B24521	343

(DN 50 to 100 strainer plastic, others DN stainless steel or other)

*Other bronze, consult us

*Others flange drilling PN, consult us

Important notice:

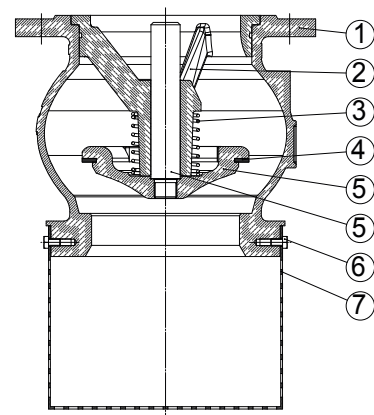
The indicated pressure for the different categories of fluids (L1/L2/G1/G2) is under no condition a guarantee of use. Therefore, it is essential to validate the use of products under given operating conditions. The operating instructions are available on our web site www.socla.com or by requesting from our sales department.

Technical features

Operating temperature	-10 °C to 80 °C
Permissible operating pressure (PFA) in water	See table above
Maximum permissible pressure (PS) other mediums	See table above
Connection	Flange drilled PN (see table)
Mediums	Clear liquids, sea water

Nomenclature and materials

N°	Description	Materials	EURO	ANSI	
1	Body	Bronze	EN 1982 CuSn5Zn5Pb2-C GS		
2	Guide	Bronze	EN 1982 CuSn5Zn5Pb2-C GS		
3	Spring	DN 50-125	Stainless steel	EN 10270-3 X10CrNi18-8	AISI 302
		DN 150-400	Stainless steel	EN 10088-3 X2CrNiMo17.12.2	AISI 316
4	Seal	EPDM			
5	Closing system	Bronze	EN 1982 CuSn5Zn5Pb2-C GS		
6	Screw	DN 50-125	Stainless steel	EN 10088-3 X5CrNi18-10	AISI 304
		DN 150-400	Stainless steel	EN 10088-3 X5CrNiMo17.12.2	AISI 316L
7	Strainer	DN 50-100	PP (Polypropylen)		
		DN 125-400	Stainless steel	EN 10088-3 X5CrNiMo17.12.2	AISI 316L



Approvals



International construction Standards :
 Directive 2014/68/UE
 Flange drilling according to EN 1092

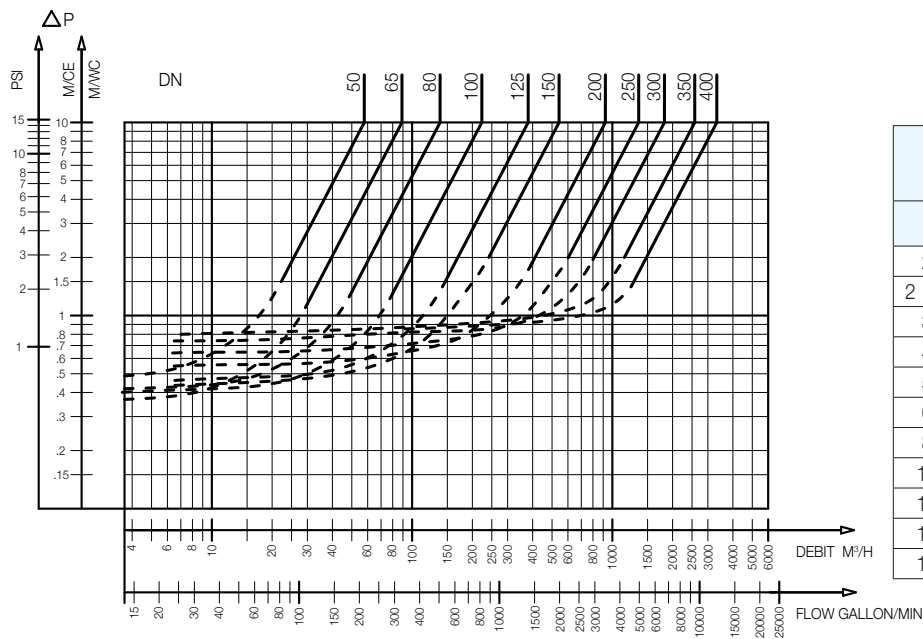
Application

Pumping of aggressive fluids, saline solutions, sea water.

Operation

Direction for use :

- Solid line : Valve completely open
- Dotted line : opening stage of valve

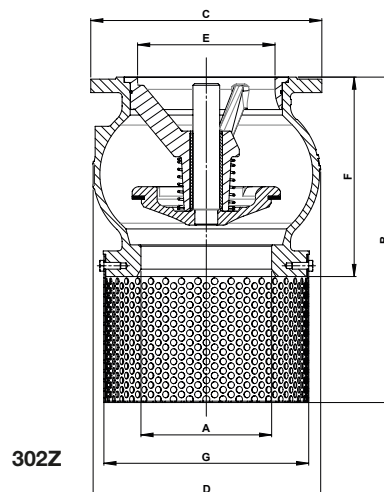


DN		Opening pressure in mm CE		Kv	ζ
"	mm	↑	Without spring	m³/H	
2	50	230	110	57,70	3
2 1/2	65	240	130	89	3,60
3	80	280	130	138,70	3,40
4	100	290	130	223,40	3,20
5	125	350	150	380	2,70
6	150	400	170	542,25	2,75
8	200	450	190	923	3
10	250	560	250	1354,65	3,40
12	300	760	365	1821,40	3,90
14	350	810	380	2580,30	3,60
16	400	900	450	3324,35	3,70

302Z - Headloss chart

Sizing

DN	A	B	C	D	E	F	G	
"	mm							
2	50	52	144	165	99	54	100	86
2 1/2	65	66	186	185	127	68	125	107
3	80	82	219	200	153	82	147	130
4	100	105	266	220	184	106	176	160
5	125	125	334	254	220	127	204	199
6	150	150	374	285	259	152	233	214
8	200	194	483	343	338	204	296	304
10	250	237	572	406	420	254	367	355
12	300	278	656	482	490	291	407	425
14	350	325	773	533	584	334	491	495
16	400	370	877	597	678	384	561	628



The descriptions and photographs contained in this product specification sheet are supplied by way of information only and are not binding.

Socla reserves the right to carry out any technical and design improvements to its products without prior notice. Warranty : All sales and contracts for sale are expressly conditioned on the buyer's assent to Socla terms and conditions found on its website at www.socla.com. Socla hereby objects to any term, different from or additional to Socla terms, contained in any buyer communication in any form, unless agreed to in a writing signed by an officer of Socla.



A WATTS Brand

Socla sas

365 rue du Lieutenant Putier • 71530 Virey-Le-Grand • France
 Tel. +33 03 85 97 42 00 • Fax +33 03 85 97 42 42
 contact@wattswater.com • www.socla.com
 ISO 9001 version 2015 / ISO 18001