

144

Non-return foot valve
02 System

Technical Data Sheet



Valve with very wide range of applications. It prevents water hammering, it's noiseless and the quality-price ratio is optimal.

- System adapted to large sizes
- Simple, robust
- Operation in vertical position
- Minimum head loss
- Cast iron closing system with profiled entry face and tripod axial guiding
- Water-tightness ensured by flat seal supported by the valve head on the valve seat with anti-sand system



144

Non-return foot valve - 02 System

DN mm	PN	PFA in bar	PS in bar				Cat.	Ref.	Weight Kg
			L1	L2	G1	G2			
200	10	10	10	10	x	x	4.3	149B3414	50
250	10	6	6	6	x	x	4.3	149B3415	86
300	10	6	6	6	x	x	4.3	149B3416	125
350	10	6	6	6	x	x	I	149B3417	195
400	10	6	6	6	x	x	I	149B3418	293
450	10	4	4	4	x	x	4.3	149B3419	415
500	10	4	4	4	x	x	4.3	149B3420	545
600	10	4	4	4	x	x	I	149B3422	790

Important notice :

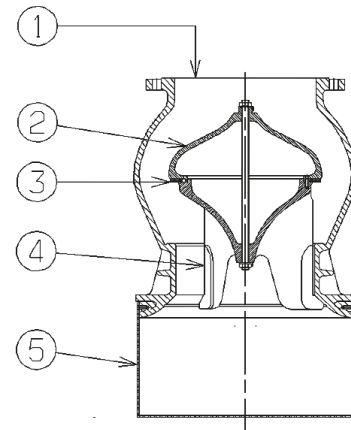
The indicated pressure for the different categories of fluids (L1/L2/G1/G2) is under no condition a guarantee of use. Therefore, it is essential to validate the use of products under given operating conditions. The operating instructions are available on our web site www.socla.com or by requesting from our sales department.

Technical features

Operating temperature	-10 °C to 60 °C
Permissible operating pressure (PFA) in water	See table above
Maximum permissible pressure (PS) other mediums	See table above
Connection	Flanges drilled PN (see table)
Mediums	Clear liquids

Nomenclature and materials

N°	Description	Materials	EURO	ANSI
1	Body	Cast iron / Epoxy ext.	EN-GJL-250	ASTM A 48 35 B
2	Closing system	Cast iron	EN-GJL-250	ASTM A 48 35 B
3	Seal	EPDM		
4	Guide	Cast iron	EN-GJL-250	ASTM A 48 35 B
5	Strainer	Galvanised steel		



Approvals



International construction Standards :
Directive 2014/68/UE
Flange drilling according to EN1092-2

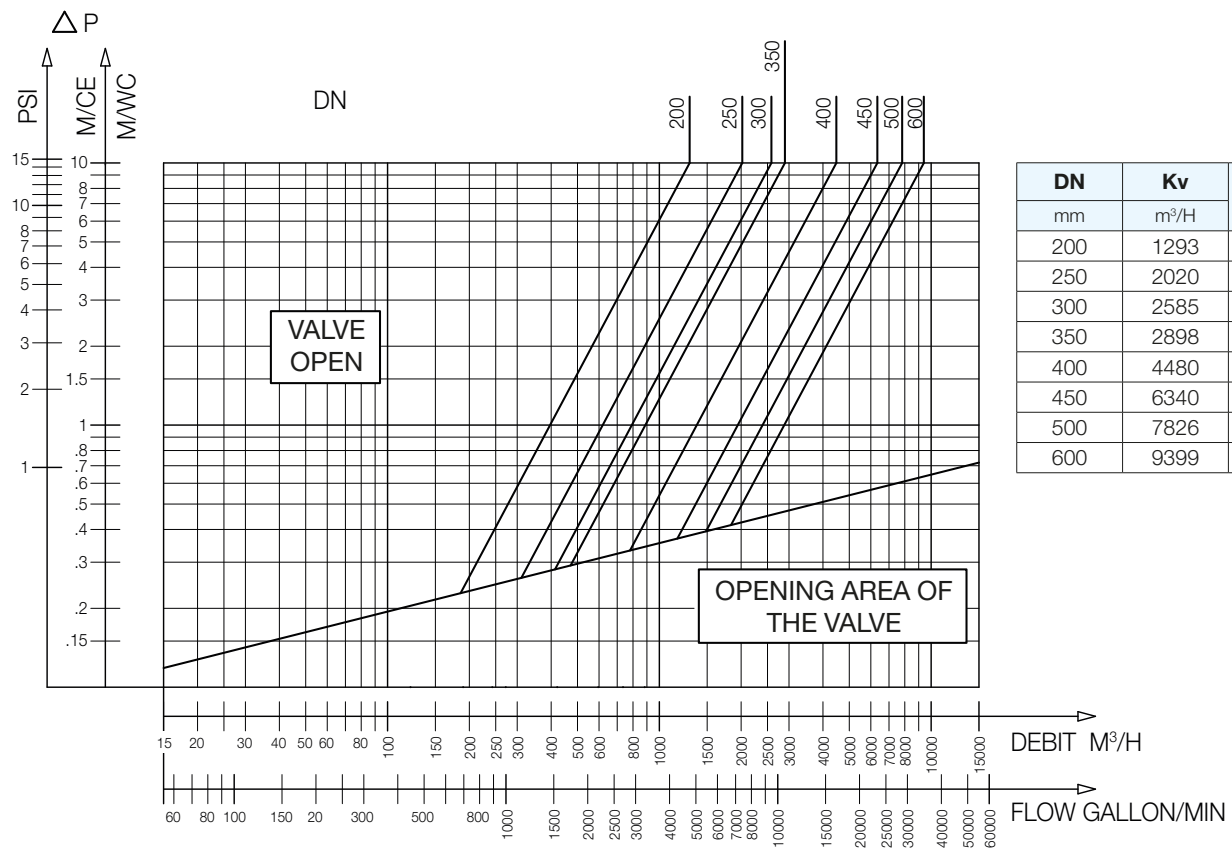
Application

Pumping, water distribution.

Operation

Direction for use :

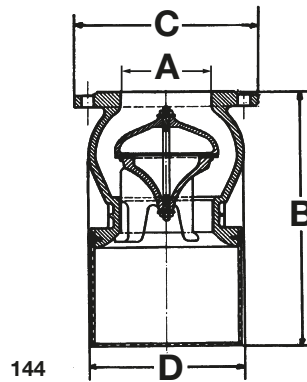
- Solid line : Valve completely open
- Dotted line : opening stage of valve



144 - Headloss chart

Sizing

A	B	C	D
mm	mm	mm	mm
200	525	340	320
250	635	395	402
300	735	445	480
350	852	540	560
400	978	597	635
450	1095	635	715
500	1170	699	790
600	1265	780	965



The descriptions and photographs contained in this product specification sheet are supplied by way of information only and are not binding.

Socla reserves the right to carry out any technical and design improvements to its products without prior notice. Warranty : All sales and contracts for sale are expressly conditioned on the buyer's assent to Socla terms and conditions found on its website at www.socla.com. Socla hereby objects to any term, different from or additional to Socla terms, contained in any buyer communication in any form, unless agreed to in a writing signed by an officer of Socla.



A WATTS Brand

Socla sas

365 rue du Lieutenant Putier • 71530 Virey-Le-Grand • France
 Tel. +33 03 85 97 42 00 • Fax +33 03 85 97 42 42
contact@wattswater.com • www.socla.com
 ISO 9001 version 2015 / ISO 18001