

502 VALVE WITH SA03 ELECTRIC ACTUATOR

CHARACTERISTICS

The 502+SA03 is a 2-way brass ball valve dedicated to the automatic shut-off of non-corrosive common fluids: water, air, hydrocarbons, etc. It is a full bore ball valve. With EC and the French ACS certification, it is suitable for drinking water applications. The ISO 5211 pad allows a direct mounting of the SA actuator. It is perfectly suitable for an indoor or outdoor industrial use.

AVAILABLE ITEMS

CW 617N brass body

Size 1/2" to 1"

BSP threaded connections

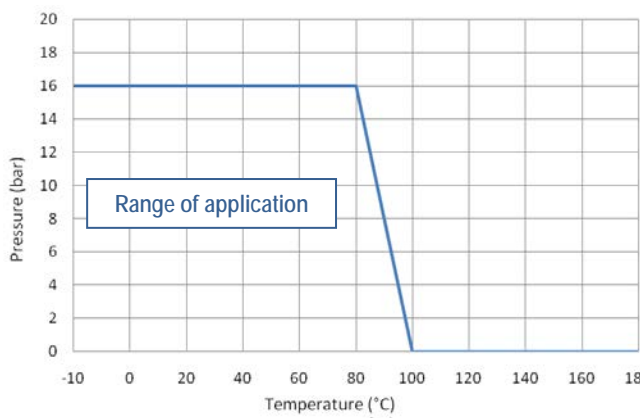
Voltage: 24 V DC, 24 V AC and 230 V AC



1/2" to 1"

LIMITS OF USE

Max. allowable pressure (PS)	16 bar
Min./max. allowable temperature (TS)	-10 °C / +100 °C
Room temperature	-20 °C / +70 °C
Service	S2 – 50%



DIRECTIVES AND DEVELOPMENT STANDARDS APPLICABLE

	Standard		Standard
97/23/EC Pressure Equipment Directive	1/4" to 1" : excluded	French Sanitary Compliance Certificate (ACS)	1/4"-3/8" : excluded
			1/2" to 1" : 08 ACC LY 073
Shell design	EN 12516-4	Actuator attachments	ISO 5211
Alloy grade	EN 12240	Valve testing	EN 12266

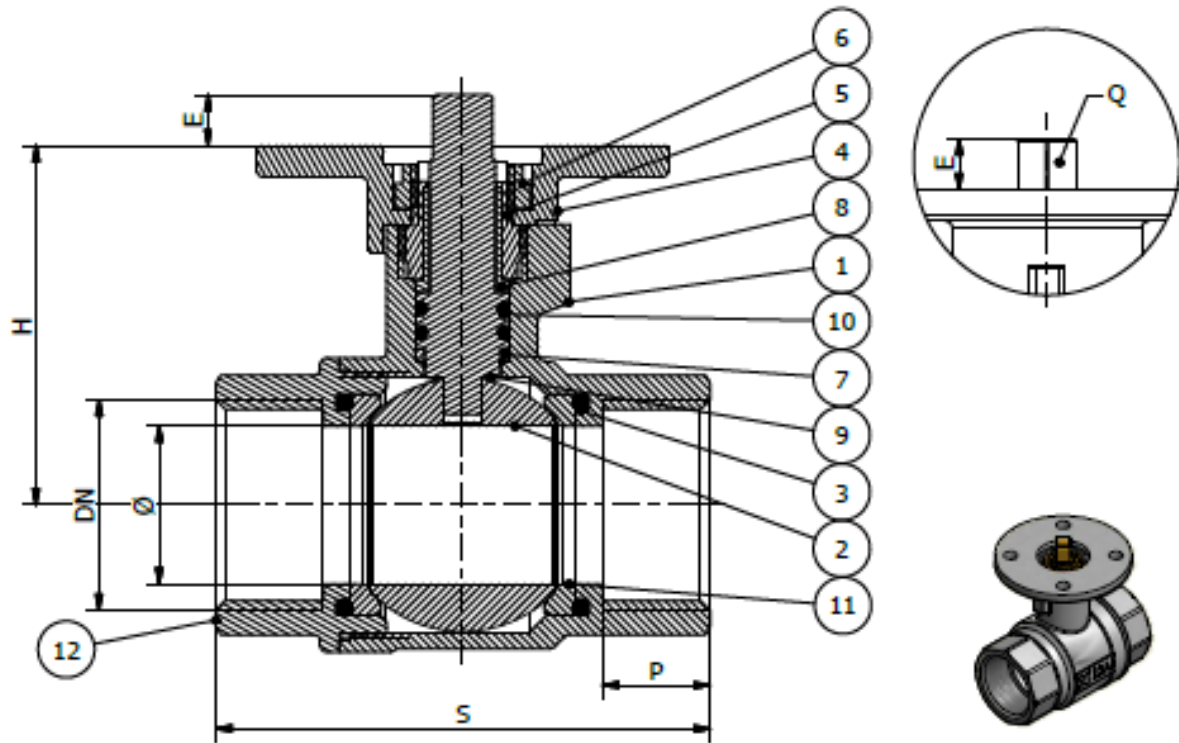
The following data is for information purpose only and may be subject to alteration without prior notice

	SECTORIEL S.A. 45, rue du Ruisseau 38290 Saint Quentin-Fallavier – FRANCE Tel.: +33 474 94 90 70 – Fax: +33 474 94 13 95 www.sectoriel.fr / email:sectoriel@sectoriel.fr	Pages	1/3
		Ref.	502+SA03 GB
		Rev.	0
		Date	01/2012

502 VALVE WITH SA03 ELECTRIC ACTUATOR

CONSTRUCTION


#	Item	Material	#	Item	Material
1	Body	Nickel-plated CW 617N brass	7	Anti-friction ring	PTFE
2	Ball	Chromium-plated CW 617 brass	8	Anti-friction sleeve	PTFE
3	O-ring (DN 2" ½ to 4")	NBR	9	Stem	CW 614N brass
4	Actuator pad	Nickel-plated CW 617N brass	10	O-ring	NBR / FKM
5	Nut	CW 614N brass	11	Seat	PTFE
6	Nut	CW 614N brass	12	End	Nickel-plated CW 617N brass



DIMENSIONS (mm)

DN	¼"	3/8"	½"	¾"	1"	1" ¼	1" ½	2"	2" ½	3"	4"
∅	10	10	15	20	25	32	40	49	64	78	100
S	50	60	63,5	72	86	96	107	124	141	159	195
P	10	11	14	16	17	18	19	21	25	25	30
H	33	34	45	48.5	52.5	56.5	68	73.5	92	102	129
E	9	9	13	13	13	13	13	13	12	12	18
Q	9	9	11	11	11	11	11	11	14	14	17
ISO	F03	F03	F04-F05	F04-F05	F04-F05	F05	F05	F05	F05	F05	F07

The following data is for information purpose only and may be subject to alteration without prior notice

	SECTORIEL S.A. 45, rue du Ruisseau 38290 Saint Quentin-Fallavier – FRANCE Tel.: +33 474 94 90 70 – Fax: +33 474 94 13 95 www.sectoriel.fr / email:sectoriel@sectoriel.fr	Pages	2/3
		Ref.	502+SA03 GB
		Rev.	0
		Date	01/2012

502 VALVE WITH SA03 ELECTRIC ACTUATOR

ELECTRIC ACTUATION WITH SA03

Suggested standard SA actuation under the following conditions:

- Electric actuator with an IP 67 epoxy coated aluminium enclosure and steel gears
- A minimum 1.3 safety factor compared with the valve nominal torque rating
- A maximum pressure differential up/downstream of 10 bar (=ΔP)

Direct mounting of the electric actuator

DN	Actuator	Power	Intensity 230 V AC	Intensity 24 V AC/DC	Operating Time*	Standard equipment of the actuator	
¼"	SA03	3 W	0.8 A	0.8 A	8 s	2 adjustable limit switches 2 dry auxiliary switches 2 W anti-condensation heater Actuator thermal cut-out Declutching by lever Manual override by key Backlit position indicator Electrical connection: 1 gland pack. M20x1.5	
3/8"	SA03	3 W	0.8 A	0.8 A	8 s		
½ "	SA03	3 W	0.8 A	0.8 A	8 s		
¾ "	SA03	3 W	0.8 A	0.8 A	8 s		
1"	SA03	3 W	0.8 A	0.8 A	8 s		
1" ¼	Refer to 502 + SA05 version						
1" ½							
2"							

*Unloaded operating time given for information purpose only. May vary depending on the medium

For any other working conditions, please contact us.

ACTUATION OPTIONS

1	100 mm stem extension for pipe insulation (see 500HC model)
---	---

The following data is for information purpose only and may be subject to alteration without prior notice

	SECTORIEL S.A. 45, rue du Ruisseau 38290 Saint Quentin-Fallavier – FRANCE Tel.: +33 474 94 90 70 – Fax: +33 474 94 13 95 www.sectoriel.fr / email:sectoriel@sectoriel.fr	Pages	3/3
		Ref.	502+SA03 GB
		Rev.	0
		Date	01/2012