

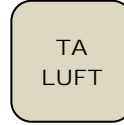
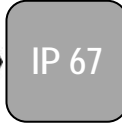
736-746XS VALVE WITH NA / NA-X ELECTRIC ACTUATOR

CHARACTERISTICS

The 736XS (steel) and 746XS (stainless steel) + NA 2-way ball valves are dedicated to the automatic shut-off of industrial fluids. With their 3-piece and external bolts construction, they are easy to dismantle for maintenance. This full bore ball valve has an antistatic device, a gland pack double tightness and is certified according to the ATEX and the EC standards (with NA-X). The ISO 5211 pad enables the direct mounting of the NA electric actuator. It is perfectly adapted for an indoor or outdoor industrial use.



With NA-X



AVAILABLE ITEMS

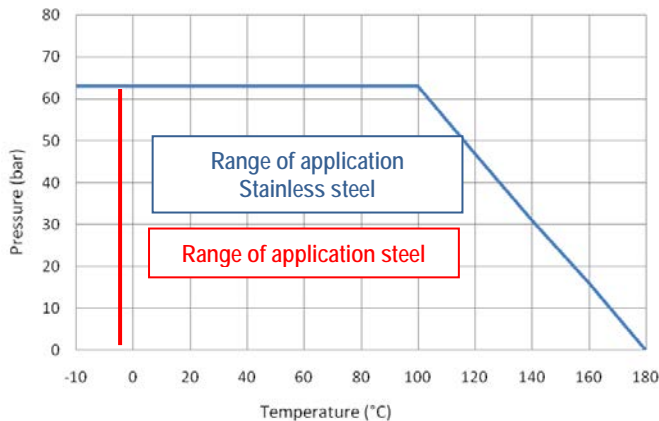
Size 2" ½ to 4"

Voltages: 24 V DC, 24 V AC, 230 V AC and 3~400V AC

Attachment	BSP	SW	BW
Steel	736XS	735XS	734XS
Stainless steel	746XS	743XS	745XS

LIMITS OF USE

Material	Steel	Stainless steel
Max. allowable pressure (PS)	63 bar (20 °C)	
Min./max. allowable temperature (TS)	-25 °C / +180 °C	-40 °C / +180 °C
Room temperature	-20 °C / +70 °C	
Service	S2 – 50%	



DIRECTIVES AND DEVELOPMENT STANDARDS APPLICABLE

	Standard	Notified bodies		Standard
97/23/EC Pressure Equipment Directive	2" ½ to 4" : category III	TÜV #0035	Material certificate	EN 10204
Size	EN 12516-1		Actuator attachment	ISO 5211
Alloy grade	EN 1503-1		Valve testing	EN 12266
ATEX Directive	Valve	SIRA #0518	II 2G/D Tx for zones 1,2,21 and 22	
	Actuator (SA-X option)	KEMA #0344	II 2G EEx d II C T4 for zones 1 and 2	

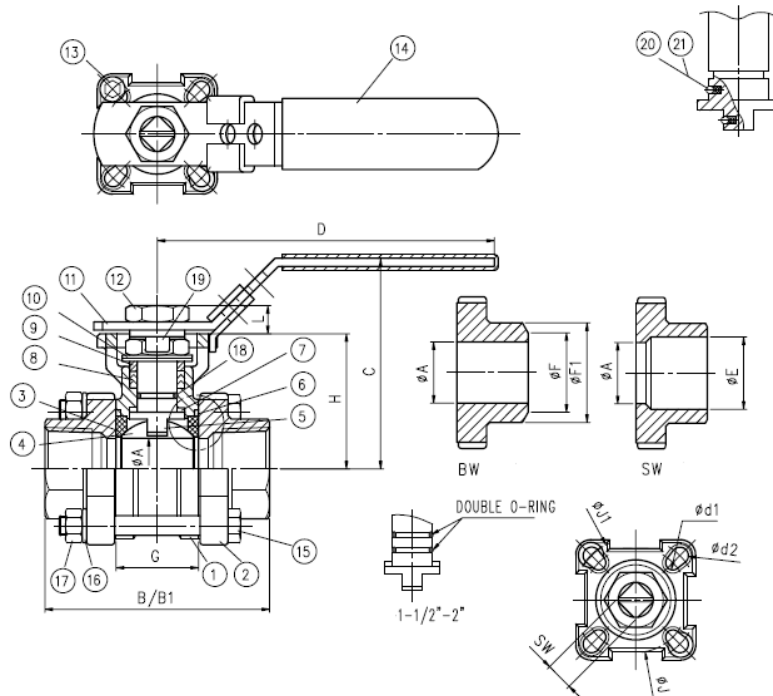
The following data is for information purpose only and may be subject to alteration without prior notice

	SECTORIEL S.A. 45, rue du Ruisseau 38290 Saint Quentin-Fallavier – FRANCE Tel.: +33 474 94 90 70 – Fax: +33 474 94 13 95 www.sectoriel.fr / email: sectoriel@sectoriel.fr	Nbr. pages	1/3
		Ref.	746XS+NA GB
		Rev.	1
		Date	05/2012

736-746XS VALVE WITH NA / NA-X ELECTRIC ACTUATOR

CONSTRUCTION


#	Item	Carbon steel	Stainless steel	#	Item	Carbon steel	Stainless steel
1	Body	Carbon steel A216 WCB/1.0619	Stainless steel A351 CF8M /1.4408	12	Nut	SS 304	SS 304
2	Ends	Carbon steel A216 WCB/1.0619	Stainless steel A351 CF8M /1.4408	13	End stop	SS 304	SS 304
3*	Seats	PTFE+15% Graphite	PTFE+15%Graphite	14	Sleeve	PVC	PVC
4	Ball	CF8M / 316	CF8M / 316	15	Bolts	SS 304	SS 304
5	Stem	SS 316	SS 316	16	Washer	SS 304	SS 304
6*	Body gasket	PTFE	PTFE	17	Nuts	SS 304	SS 304
7*	Washer	PTFE+15% Graphite	PTFE+15% Graphite	18*	O-ring	FKM	FKM
8*	Packing	PTFE	PTFE	19	Retaining ring	SS 304	SS 304
9	Spacer	SS 304	SS 304	20	Antistatic	SS 316	SS 316
10	B washer	SS 301	SS 301	21	Spring	SS 304	SS 304
11	Lever	SS 304	SS 304	*Items provided in the maintenance kit			



DIMENSIONS (mm)

DN	A	B (BSP)	B (SW)	B1 (BW)	C	D	E	F	F1	G	H	J1	SW
¼"	10	65	65	70	46.5	110	14	13	17.0	26.0	41.0	42	9
3/8"	12.5	65	65	70	46.5	110	14	13	17.0	24.5	42.3	42	9
½"	16	75	75	75	70.9	110	21.9	17	22.4	25.2	42.3	42	9
¾"	20	80	80	90	73.4	110	27.2	22	28.2	27.7	44.8	42	9
1"	24.5	90	90	100	84.1	135	34.0	28	33.7	33.0	54.0	50	11
1" ¼	32	110	110	110	89.3	135	42.7	37	44.0	41.2	59.2	50	11
1" ½	38	120	120	125	109.5	165	48.8	43	50.8	49.3	73.5	70	14
2"	50	140	140	150	118.9	165	61.3	54	62.6	63.6	82.9	70	14
2" ½	65	185	185	190	155.0	300	77.0	74	76.1	82.1	107.0	102	17
3"	80	205	205	220	165.0	335	90.0	83	88.9	95.8	117.3	102	17
4"	100	240	240	270	180.0	335	115.5	110	114.3	117.8	132.3	102	17

The following data is for information purpose only and may be subject to alteration without prior notice

	SECTORIEL S.A. 45, rue du Ruisseau 38290 Saint Quentin-Fallavier – FRANCE Tel.: +33 474 94 90 70 – Fax: +33 474 94 13 95 www.sectoriel.fr / email: sectoriel@sectoriel.fr	Nbr. pages	2/3
		Ref.	746XS+NA GB
		Rev.	1
		Date	05/2012

736-746XS VALVE WITH NA / NA-X ELECTRIC ACTUATOR

ACTUATION WITH NA

Suggested standard NA actuation under the following conditions:

- Electric actuator with an IP 67 epoxy coated aluminium enclosure and steel gears
- A minimum 1.3 safety factor compared with the valve nominal torque rating,
- A maximum pressure differential up/downstream of 10 bar ($=\Delta P$)






Direct mounting of the electric actuator

DN	Actuator	Power	Operating Time*	
15	Refer to 736-746 XS + SA actuator			
20				
25				
32				
40				
50				
65	NA09	25 W	17 s	2 adjustable limit switches + 2 dry auxiliary switches 20 W anti-condensation heater Visual position indicator Actuator thermal cut-out (NA09) Torque limiter (NA15) Electrical connection: 2 gland packs M20 x 1.5 Manual override by declutchable handwheel
80	NA15	40 W	20 s	
100	NA 15	40 W	20 s	

*Unloaded operating time given for information purpose only. May vary depending on the medium
For any other working conditions, please contact us.

ACTUATION OPTIONS

There are many different options, please contact our commercial department.


1	2	3	4	5
NALCU: Actuator with a local control	NAPCU: Regulation actuator 4-20 mA or 0-10 V	NARBP: Safety actuator with an integrated battery emergency shutdown	NA-X: Actuation for use in ATEX zones 1 and 2	SR: Spring return safety actuator
				
6	Thermal dispersion bracket for high temperature fluids			
7	100 mm high stem extension for pipe insulation			
8	Electric actuator sized for a maximum pressure differential up/downstream over 10 bar ($=\Delta P$)			
9	NA electric actuator with a declutchable manual override by handwheel			

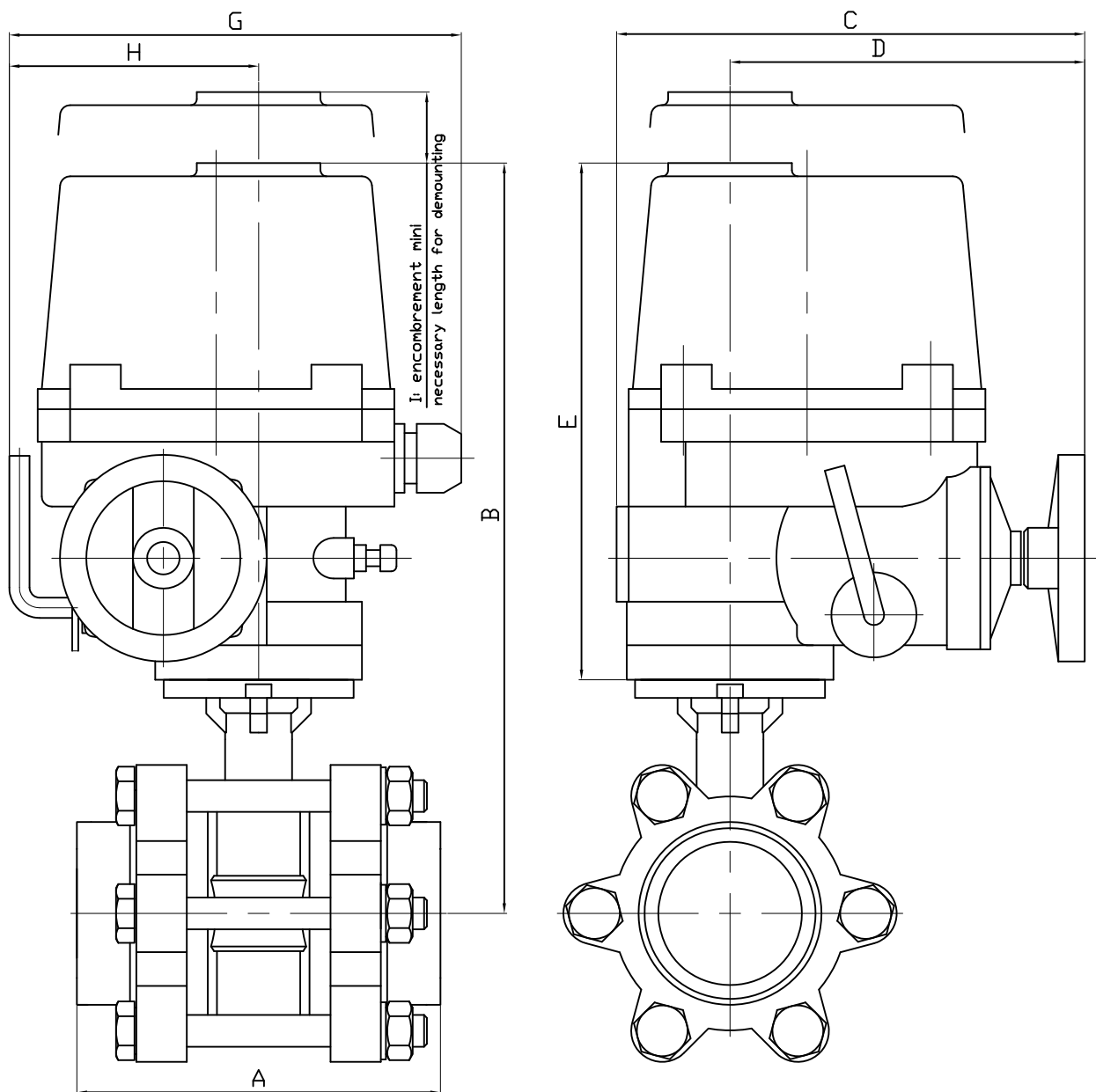
ATEX ZONES INSTALLATION

It is compulsory to specify if the installation of the automatic valve 736-746XS+NA-X will take place in ATEX zones 1 or 2 while making the order. Our services will proceed to the mounting check, to a grounding strip installation and will edit a mounting certificate. Those operations are performed by our proper engineers. Please contact us for further details. It is also compulsory to follow the ATEX zone mounting and maintenance special instructions for motorized valves. The ATEX gland packs and sealing plugs are not provided. Please use the following codes:

ATEX aluminium gland pack M20x1.5	Code 980179	ATEX aluminium sealing plugs M20x1.5	Code 980180
-----------------------------------	-------------	--------------------------------------	-------------


The following data is for information purpose only and may be subject to alteration without prior notice

	SECTORIEL S.A. 45, rue du Ruisseau 38290 Saint Quentin-Fallavier – FRANCE Tel.: +33 474 94 90 70 – Fax: +33 474 94 13 95 www.sectoriel.fr / email: sectoriel@sectoriel.fr	Nbr. pages	3/3
		Ref.	746XS+NA GB
		Rev.	1
		Date	05/2012



NA/NAX	09	09	15
DN	2"1/2	3"	4"
A	185	205	240
B	362	372.5	387.3
C	231	231	261
D	175	175	184
E	255	255	255
G	223	223	266
H	113	113	139
I	108	108	108
KG	21	26.2	35.9

Informations données à titre indicatif et sous réserve de modifications éventuelles
data subject to alteration

				Ajout Poids-Seulement 2"1/2 à 4"	23/02/2012	A
Ech: /	Date :29/09/2006	Dessiné par : LL	Tolérances générales : +/- 0.2	Modifications	Date	REV.
ROBINET A TOURNANT SPHERIQUE 736XS-746XS/BALL VALVE 736XS-746XS + SERVOMOTEUR NA-NAX/ELECTRIC ACTUATOR NA-NAX				Matière :		
				Poids <Kg> :		
 45, Rue du Ruisseau 38297 SAINT QUENTIN FALLAVIER				Traitement : SANS		
				Plan n° Ens 978A		

ELECTRIC ACTUATOR TYPE NA / NA-X

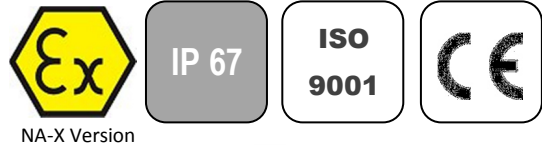
GENERAL CHARACTERISTICS

The NA electric actuator is dedicated to the actuation of industrial ¼ turn valve. The maximum torque value is 2500 Nm. With a compact design, an IP 67 cast aluminium enclosure and an epoxy protection, the NA electric actuator is especially adapted to the actuation of ball valves and butterfly valves in dusty outdoor or indoor areas. It is equipped with a declutchable manual override and a torque limiter (except on NA06 and NA09). Many options are available. The NA-X version can be used in explosive areas 1 and 2 and complies with the EN 15714-2 standard.

AVAILABLE MODELS

NA06: 60 Nm to NA250: 2500 Nm

Voltage: 230 V AC, 400 V AC, 24 V AC, 24 V DC



LIMITS OF USE

Version	NA	NA-X
Protection rating	IP 67	
Temperature range	-20 °C / +70 °C	-20 °C / +55 °C
Service	S2-70%	
Explosive areas	Forbidden	Zone 1 and 2



MECHANICAL CHARACTERISTICS

Gears	Treated steel pinions
Rotation angle	90° +/- 5°
Declutching	Lever
Manual override	Handwheel
Torque limiter	Except for NA06 and NA09

Electric actuator	NA06	NA09	NA15	NA28	NA38	NA60	NA100	NA150	NA200	NA250
Torque	60 Nm	90 Nm	150 Nm	280 Nm	380 Nm	600 Nm	1000 Nm	1500 Nm	2000 Nm	2500 Nm
Operating time	17 s	17 s	20 s	24 s	24 s	29 s	29 s	87 s	87 s	87 s
ISO 5211 pad	F07	F07	F07/F10	F10/F12	F10/F12	F12/F14	F12/F14	F14/F16	F14/F16	F14/F16
Star drive nut	17	17	17	22	27	27	27	36	36	46

DIRECTIVES AND DEVELOPMENT STANDARDS APPLICABLE

Machine 2006/42/EC	Actuator attachments : ISO 5211
Low Voltage Directive 2006/95/EC	Electromagnetic compatibility 2004/108/EC
ATEX 1994/9/EC: ATEX II 2 G EEx d II B T4 – NEMKO 03ATEX1342X (NA-X electric actuator only)	

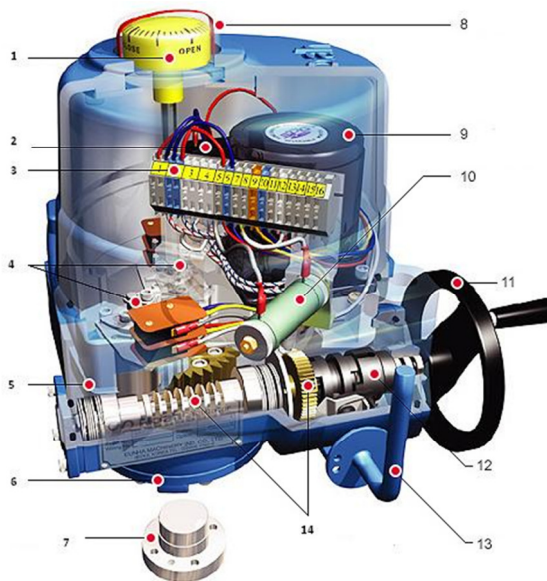
The following data is for information purpose only and may be subject to alteration without prior notice

	SECTORIEL S.A. 45, rue du Ruisseau 38290 Saint Quentin-Fallavier – FRANCE Tel.: +33 474 94 90 70 – Fax: +33 474 94 13 95 www.sectoriel.fr / email: sectoriel@sectoriel.fr	Pages	1/4
		Ref.	FT23110 GB
		Rev.	5
		Date	06/2012

ELECTRIC ACTUATOR TYPE NA / NA-X

CONSTRUCTION

1	Position indicator	Polycarbonate
2	Condenser	
3	Terminal block	
4	Limit switches	
5	Body / cover	Aluminium alloy
6	Base / enclosure	Aluminium alloy
7	Drive nut	Steel
8	Dome	Polycarbonate
9	Electric motor	
10	Anti-condensation heater	
11	Handwheel	Steel
12	Manual override	Steel
13	Declutching lever	Steel
14	Worm gear	Steel




ELECTRICAL CHARACTERISTICS

Motor Protection	Thermal cut-out	Anti-condensation	20 W heater
Limit switches	2 adjustable switches	Electrical connection	2 gland packs M20x1.5
Auxiliary switches	2 dry adjustable switches		

Electric actuator	NA06	NA09	NA15	NA28	NA38	NA60	NA100	NA150	NA200	NA250
Power	15 W	25 W	40 W	40 W	60 W	90 W	180 W	98 W	180 W	180 W
Voltage	380 V – 50 Hz									
Hold current	0.13 A	0.18 A	0.3 A	0.3 A	0.33 A	0.52 A	0.73 A	0.52 A	0.73 A	0.73 A
Inrush current	0.23 A	0.36 A	0.59 A	0.74 A	0.78 A	1.24 A	1.68 A	0.78 A	1.68 A	1.68 A
Voltage	220 V – 50 Hz									
Hold current	0.45 A	0.58 A	0.95 A	0.95 A	1.3 A	1.5 A	2.15 A	1.5 A	2.15 A	2.15 A
Inrush current	0.63 A	0.89 A	1.12 A	1.37 A	1.85 A	2.34 A	3.4 A	2.34 A	3.4 A	3.4 A
Voltage	24 V – 50 Hz									
Hold current	3.2 A	4.3 A	6.5 A	8.1 A						
Inrush current	6 A	8 A	12 A	14 A						
Voltage	24 V DC									
Hold current	2.2 A	3.5 A	4.5 A	6.5 A						
Inrush current	4.1 A	4.1 A	6.6 A	13.8 A						

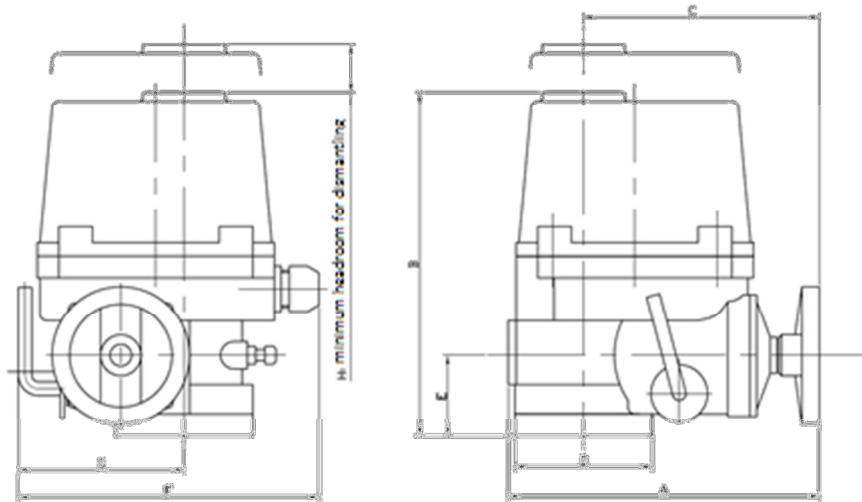
The following data is for information purpose only and may be subject to alteration without prior notice

	SECTORIEL S.A. 45, rue du Ruisseau 38290 Saint Quentin-Fallavier – FRANCE Tel.: +33 474 94 90 70 – Fax: +33 474 94 13 95 www.sectoriel.fr / email: sectoriel@sectoriel.fr	Pages	2/4
		Ref.	FT23110 GB
		Rev.	5
		Date	06/2012

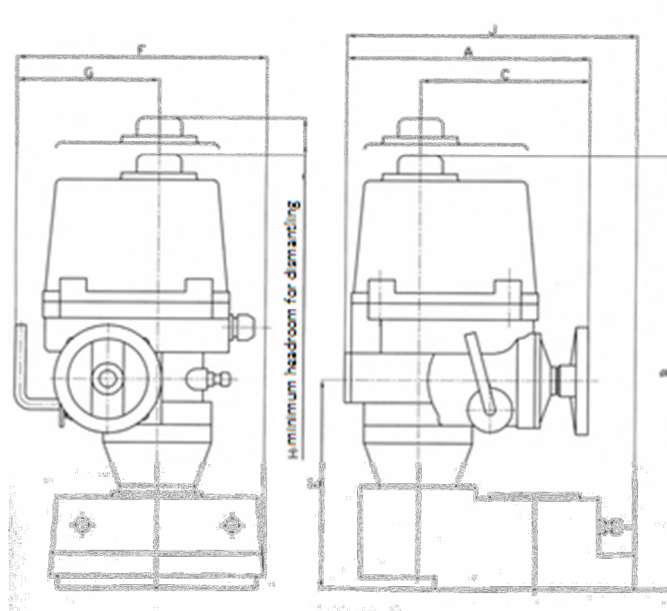
ELECTRIC ACTUATOR TYPE NA / NA-X

DIMENSIONS (mm)

NA06 to NA100




NA150 to NA250



NA	A	B	C	D	E	F	G	H
NA06 - NA09	231	255	175	102	60	223	113	108
NA15	261	255	184	120	60	266	139	108
NA28 - NA38	285	302	202	145	70	300	159	130
NA60 - NA100	325	343	226	175	78	349	191	178
NA150 - NA200 - NA250	325	556	226	-	273	388	191	178

The following data is for information purpose only and may be subject to alteration without prior notice


	SECTORIEL S.A. 45, rue du Ruisseau 38290 Saint Quentin-Fallavier – FRANCE Tel.: +33 474 94 90 70 – Fax: +33 474 94 13 95 www.sectoriel.fr / email: sectoriel@sectoriel.fr	Pages	3/4
		Ref.	FT23110 GB
		Rev.	5
		Date	06/2012

ELECTRIC ACTUATOR TYPE NA / NA-X

OPTIONS

1	NAPIU : feedback potentiometer version
2	NACPT: 4-20 mA position transmitter version
3	NAPCU: 0-10, 2-10 V, 2-20 mA, 4-20 mA regulation card version
4	NALCU: local control version
5	NARBP: integrated battery emergency shutdown device version
6	Earthquake simulation test
7	Low temperature version (-40 °C)
8	IP 68 version
9	Rotation angles 120°, 135°, 180°, 270°

The following data is for information purpose only and may be subject to alteration without prior notice

	SECTORIEL S.A. 45, rue du Ruisseau 38290 Saint Quentin-Fallavier – FRANCE Tel.: +33 474 94 90 70 – Fax: +33 474 94 13 95 www.sectoriel.fr / email: sectoriel@sectoriel.fr	Pages	4/4
		Ref.	FT23110 GB
		Rev.	5
		Date	06/2012