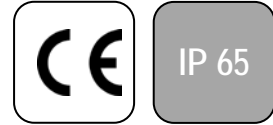


# 1133-1135 BUTTERFLY VALVES + UV ELECTRIC ACTUATOR

## CHARACTERISTICS

The butterfly valves 1133 to 1135 are dedicated to the automatic opening/shut-off of common fluid pipes. It has a cast iron body. Thanks to various material possibilities for both the butterfly and the sleeve, it can be used in different applications. The lug type body enables the mounting between PN10/16 flanges and the long neck pattern makes the mounting on insulated pipes possible. The ISO 5211 pad enables the direct mounting of the UV electric actuator. It is perfectly adapted for an indoor or outdoor service (under shelter).



## AVAILABLE ITEMS

DN 125 to DN 300

Flanged connections PN10/16

Voltages: 24 V AC, 24 V DC and 230 V AC

Ref.	Butterfly	Seat	Application examples	Min. TS	Max. TS
1133	Stainless steel	EPDM	Demineralised water – Alkaline materials	-10 °C	+110 °C
1135	Cast iron	EPDM	Cold water – hot water	-10 °C	+110 °C

## LIMITS OF USE

Max. allowable pressure (PS)	16 bar until DN 300
Min./max. allowable temperature (TS)	According to the upper chart
Prohibited use	Steam, natural gas
Room temperature	-10 °C / +50 °C
Service	S4 - 30% - 10 starts/h



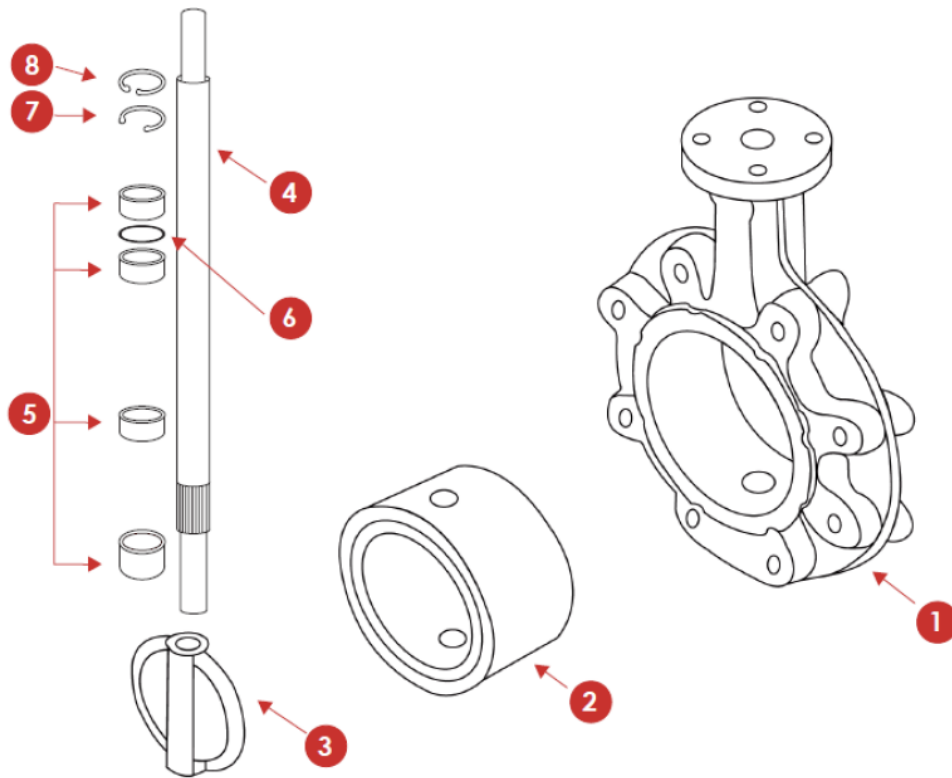
The following data is for information purpose only and may be subject to alteration without prior notice

	SECTORIEL S.A. 45, rue du Ruisseau 38290 Saint Quentin-Fallavier – FRANCE Tel.: +33 474 94 90 70 – Fax: +33 474 94 13 95 <a href="http://www.sectoriel.fr">www.sectoriel.fr</a> / email: <a href="mailto:sectoriel@sectoriel.fr">sectoriel@sectoriel.fr</a>	Nbr. pages	1
	Ref.	1135+UV GB	
	Rev.	4	
	Date	09/2011	

# 1133-1135 BUTTERFLY VALVES + UV ELECTRIC ACTUATOR

## DIRECTIVES AND DEVELOPMENT STANDARDS APPLICABLE

	Standard	Notified bodies		Standard
97/23/EC Pressure Equipment Directive	Cat. III module H	#0035	Valve testing	API 598
Face-to-face dimension	ISO 5752 series 20		Actuator attachment	ISO 5211
Flange dimension	EN 1092-1			



## CONSTRUCTION

#	Item	1133	1135
1	Body	Cast iron EN GJL-250	
2	Seat	EPDM	EPDM
3	Butterfly	Stainless steel A351 CF8M /1.4408	Nickel plated cast iron EN GJS-400-15
4	Stem	Stainless steel 416	
5	Bearings	PTFE	
6	O-ring	NBR	NBR
7	Securing rings/ Circlips	Steel	
8	Securing rings/ Circlips	Steel	

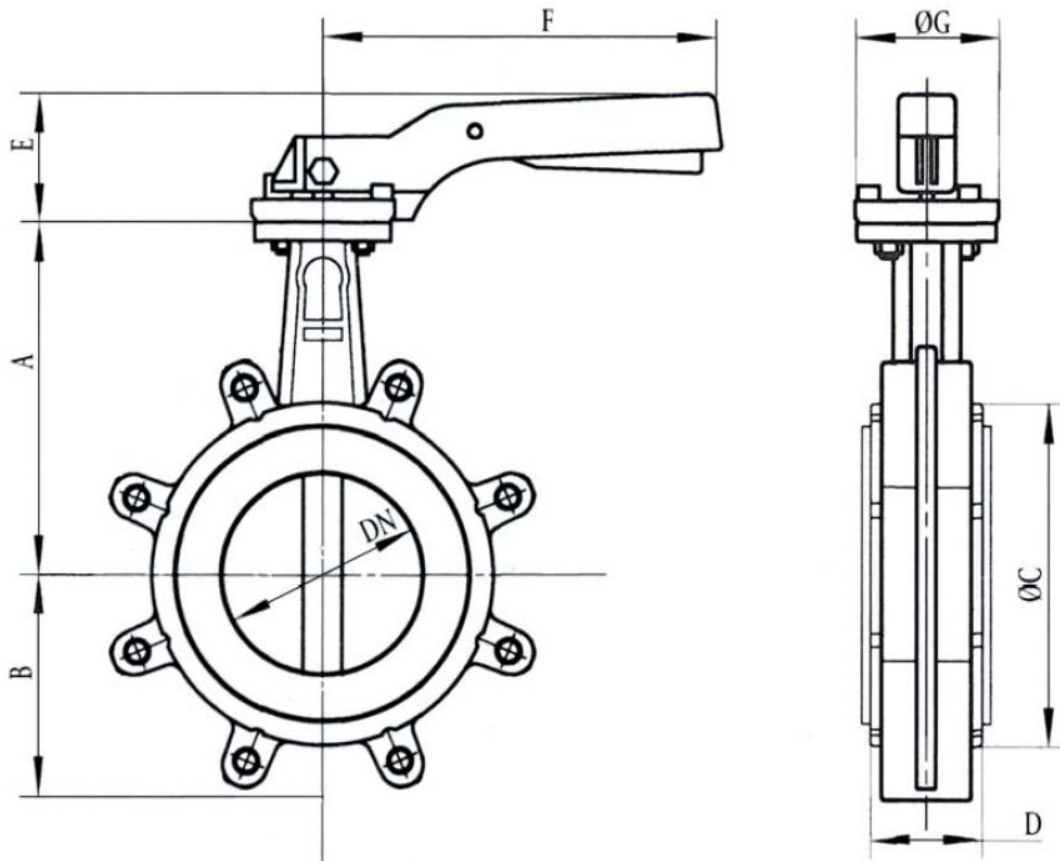
The following data is for information purpose only and may be subject to alteration without prior notice

	SECTORIEL S.A. 45, rue du Ruisseau 38290 Saint Quentin-Fallavier – FRANCE Tel.: +33 474 94 90 70 – Fax: +33 474 94 13 95 <a href="http://www.sectoriel.fr">www.sectoriel.fr</a> / email: sectoriel@sectoriel.fr	Nbr. pages	2
		Ref.	1135+UV GB
		Rev.	4
		Date	09/2011

# 1133-1135 BUTTERFLY VALVES + UV ELECTRIC ACTUATOR

## DIMENSIONS (mm)

DN	40	50	65	80	100	125	150	200	250	300
A	130	136.5	142	158	180	192	215	242	280	310
B	61	77	87.5	95	107	121	144	171	205	235
Ø C	82	95	109	127	152	180	207	260	315	370
D	33	43	46	46	52	56	56	60	68	78
E	74	74	74	74	74	79	79	37	37	37
F	200	200	200	200	200	278	278	355	507	507
Ø G	65	65	65	65	65	90	90	125	150	150
Weight (kg)	2.43	3.13	3.73	4.98	5.64	9.06	10.9	167	32.3	45



## FLOW FACTOR Kv (m<sup>3</sup>/h)

DN	40	50	65	80	100	125	150	200	250	300
Kv	78	98	167	258	512	872	1347	2675	4555	7037

The following data is for information purpose only and may be subject to alteration without prior notice

	SECTORIEL S.A. 45, rue du Ruisseau 38290 Saint Quentin-Fallavier – FRANCE Tel.: +33 474 94 90 70 – Fax: +33 474 94 13 95 <a href="http://www.sectoriel.fr">www.sectoriel.fr</a> / email: sectoriel@sectoriel.fr	Nbr. pages	3
		Ref.	1135+UV GB
		Rev.	4
		Date	09/2011

# 1133-1135 BUTTERFLY VALVES + UV ELECTRIC ACTUATOR

## ACTUATION WITH UV

Suggested standard UV actuation under the following conditions:

- Electric actuator with an IP 65 plastic enclosure and steel gears
- A minimum 1.3 safety factor compared with the valve nominal torque rating
- A maximum pressure differential up/downstream of 10 bar ( $=\Delta P$ )

The actuator is mounted:

- Direct with an aluminium actuation pad for DN 125 and 150
- With stainless steel bracket and coupler according to the EN 15081 standard for DN 200 and 300

DN	Actuator	Power	Operating time 230 V AC	Operating time 24 V AC/DC	Standard equipment of the actuator
40-100	Refer to 1135 + UM				2 adjustable limit switches 2 dry auxiliary switches Actuator thermal cut-out Manual override by declutchable handwheel Visual position indicator Electric connection: 2 gland packs ½" PF  <b>Optional equipment</b> Anti-condensation heater
125	UVC15	25 W	8 s	8 s	
150	UVC15	25 W	8 s	8 s	
200	UVD25	25 W	20 s	20 s	
250	UVF50	40 W	30 s	30 s	
300	UVG60	40 W	30 s	30 s	

\*Unloaded operating time given for information purpose only. May vary depending on the medium  
For any other working conditions, please contact us.

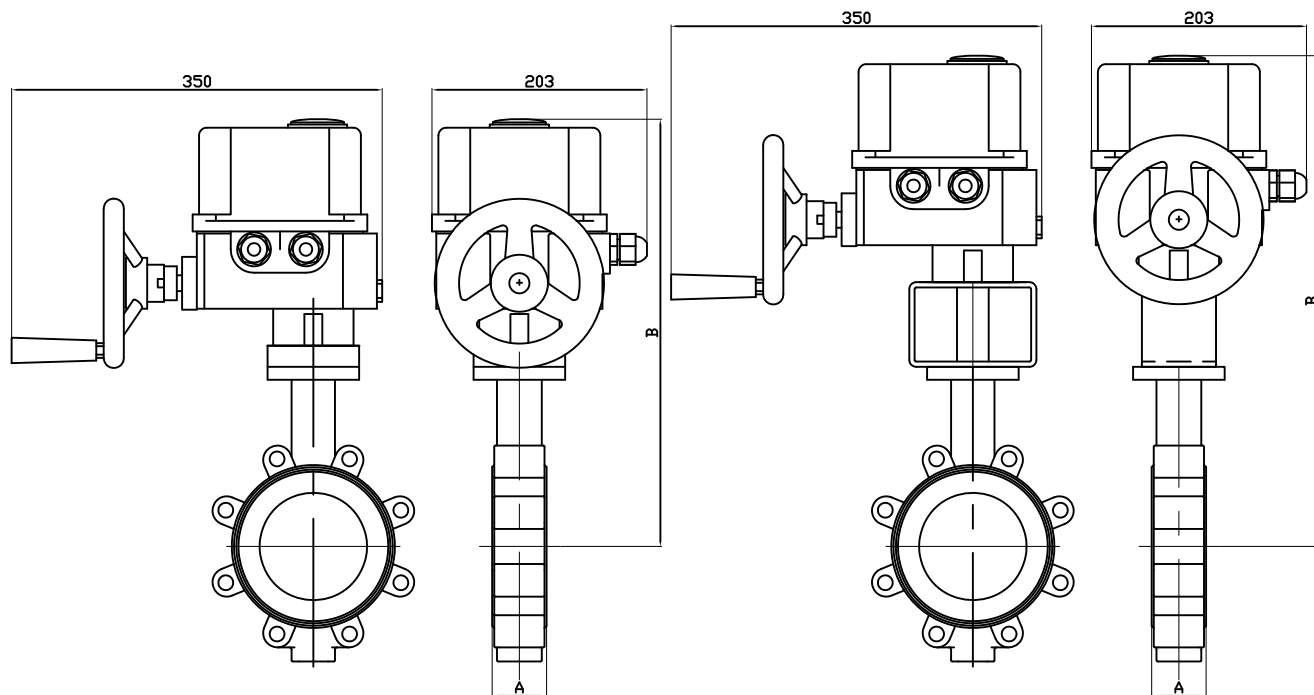
## ACTUATION OPTIONS

There are many different options, please contact our commercial department.

1	Electric actuator sized for a maximum pressure differential up/downstream over 10 bar ( $=\Delta P$ )
2	Anti-condensation heater

The following data is for information purpose only and may be subject to alteration without prior notice

	SECTORIEL S.A. 45, rue du Ruisseau 38290 Saint Quentin-Fallavier – FRANCE Tel.: +33 474 94 90 70 – Fax: +33 474 94 13 95 <a href="http://www.sectoriel.fr">www.sectoriel.fr</a> / email: sectoriel@sectoriel.fr	Nbr. pages	4
		Ref.	1135+UV GB
		Rev.	4
		Date	09/2011




DN	125	150	200
TYPE	UVC-15	UVC-15	UVD-25
A	56	56	60
B	433	456	497/523
KG	15.4	17.2	25.5

DN	250	300
TYPE	UVF-50	UVG-60
A	68	78
B	632**	662**
KG	44.7	57.4

\*\* : montage avec platine H= 80mm

Informations données à titre indicatif et sous réserve de modifications éventuelles  
data subject to alteration

Ech: /	Date :10/05/2004	Dessiné par : F.G.	Tolérances générales : +/- 0.2	Ajout poids - Suppression DN100	07/06/2012	B
				Enlever Marque moteur	17/05/2006	A
				Modifications	Date	REV.
ROBINET A PAPILLON 1133-1135/BUTTERFLY VALVE 1133-1135 + SERVO-MOTEUR UV/ELECTRIC ACTUATOR UV				Matière :		
				Poids <Kg> :		
				Traitement : SANS		
				Plan n° Ens 793B		
45, Rue du Ruisseau 38297 SAINT QUENTIN FALLAVIER						

# ELECTRIC ACTUATOR UV

## GENERAL CHARACTERISTICS

The UV electric actuators are generally used on ¼ turn valves. The maximum output torque is between 150 Nm and 600 Nm. Its compact construction with an aluminium alloy enclosure and a plastic cover makes it convenient for the actuation of ball valves and butterfly valves. The UV electric actuators are equipped with a manual override activated by handwheel. Protection IP 65: possible use indoor and outdoor under shelter.

## AVAILABLE ITEMS

Torque: 150 Nm, 250 Nm, 490 Nm and 600 Nm

Voltage: 230 V AC, 24 V AC and 24 V DC

IP 65



## LIMITS OF USE

Protection rating	IP 65
Temperature range	-10 °C / +60 °C
Service	S4 - 30% - 10 starts/h

## MECHANICAL CHARACTERISTICS

Gears	Treated steel pinions
Rotation angle	90° +/- 5°
Decutching	N/A
Manual override	Handwheel



Electric actuator	UVC15		UVD25			UVF50	UVG60
Voltage	230 V AC	24 V AC	230 V AC	24 V AC	24 V DC	230 V AC	230 V AC
Torque	150 Nm		250 Nm			490 Nm	600 Nm
Operating time	8 s		20 s			30 s	30 s
ISO 5211 pad	F07		F07/F10			F10/F12	F10/F12
Star drive nut	17		22			27	27

## ELECTRICAL CHARACTERISTICS

Motor protection	Thermal cut-out	Anti-condensation	Optional, 2 W heater
Limit switch	2 adjustable switches	Electrical connection	2 gland packs. ½" PF
Auxiliary switch	2 adjustable dry switches, cutting capacity: 3 A @ 230 V AC / 0.3 A @ 250 V DC		

Electric actuator	UVC15		UVD25			UVF50	UVG60
Voltage	230 V AC	24 V AC	230 V AC	24 V AC	24 V DC	230 V AC	230 V AC
Power	25 W	30 W	25 W	30 W	30 W	40 W	60 W
Intensity	0.42 A	0.5 A	0.42 A	0.5 A	0.5 A	0.58 A	0.66 A

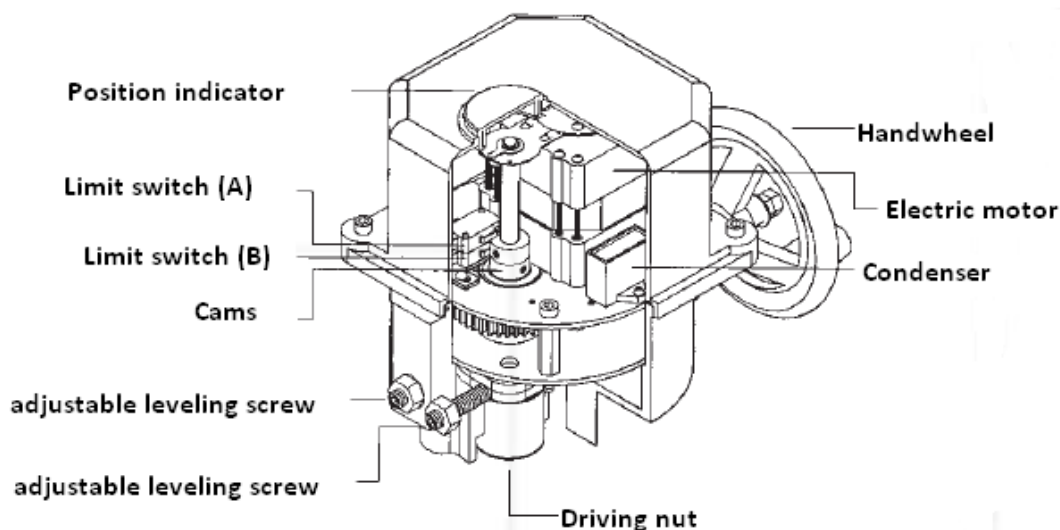
The following data is for information purpose only and may be subject to alteration without prior notice

	SECTORIEL S.A. 45, rue du Ruisseau 38290 Saint Quentin-Fallavier – FRANCE Tel.: +33 474 94 90 70 – Fax: +33 474 94 13 95 <a href="http://www.sectoriel.fr">www.sectoriel.fr</a> / email: <a href="mailto:sectoriel@sectoriel.fr">sectoriel@sectoriel.fr</a>	Pages	1/3
		Ref.	FT2233 GB
		Rev.	5
		Date	03/2012

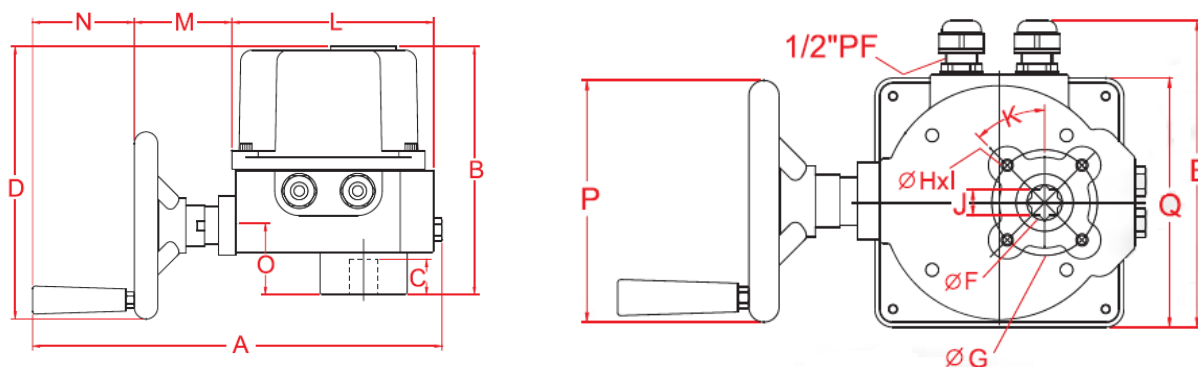
# ELECTRIC ACTUATOR UV

## CONSTRUCTION

Enclosure	Aluminium alloy	Cams	Treated steel
Cover	PA66 plastic	Drive nut	Steel
Worm gear	Treated steel	Position indicator	Plexiglas®
Handwheel	Steel		



## DIMENSIONS (mm)



Dimension	A	B	C	D	E	G	J	L	M	N	O	P	Q
UVC15	350	215	30	236	203	70	17	173	84	87	59	160	165
UVD25	350	240*	30	235	203	102	22	173	84	87	85	160	165
UVF50	350	272	34	260	203	125	27	173	84	87	92	200	165
UVG60	350	272	34	260	203	125	27	173	84	87	92	200	165

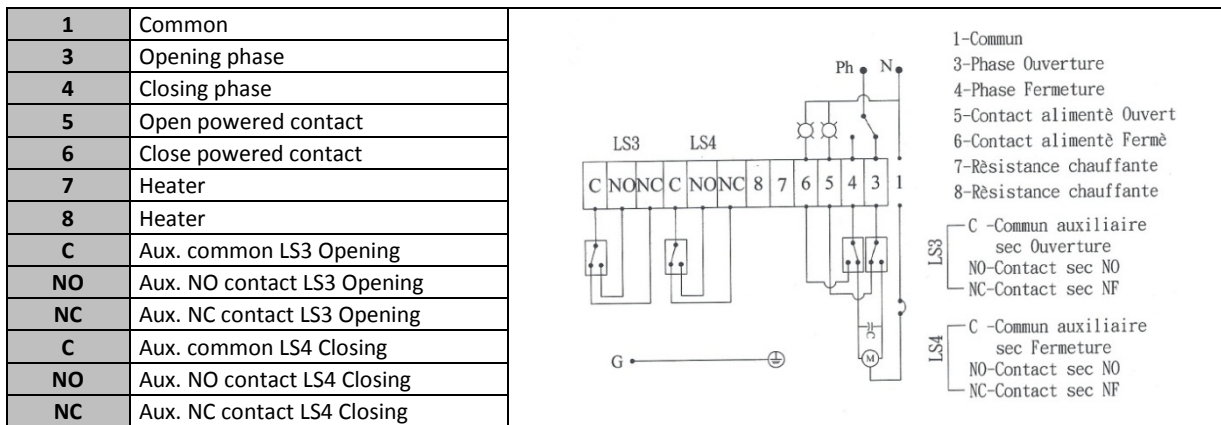
\* This dimension is 266 mm for the 24 V AC/DC version.

The following data is for information purpose only and may be subject to alteration without prior notice

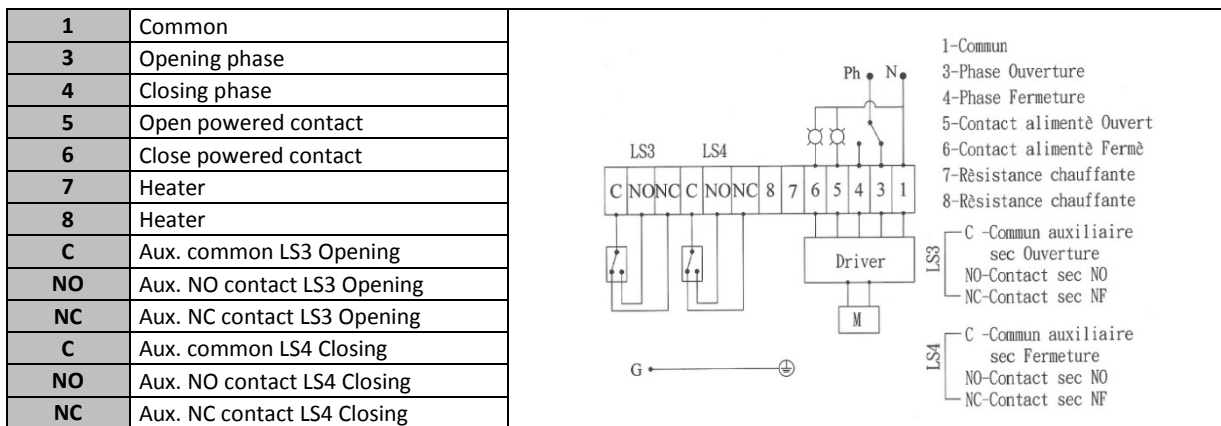
	SECTORIEL S.A. 45, rue du Ruisseau 38290 Saint Quentin-Fallavier – FRANCE Tel.: +33 474 94 90 70 – Fax: +33 474 94 13 95 <a href="http://www.sectorel.fr">www.sectorel.fr</a> / email: <a href="mailto:sectorel@sectorel.fr">sectorel@sectorel.fr</a>	Pages	2/3
		Ref.	FT2233 GB
		Rev.	5
		Date	03/2012

# ELECTRIC ACTUATOR UV

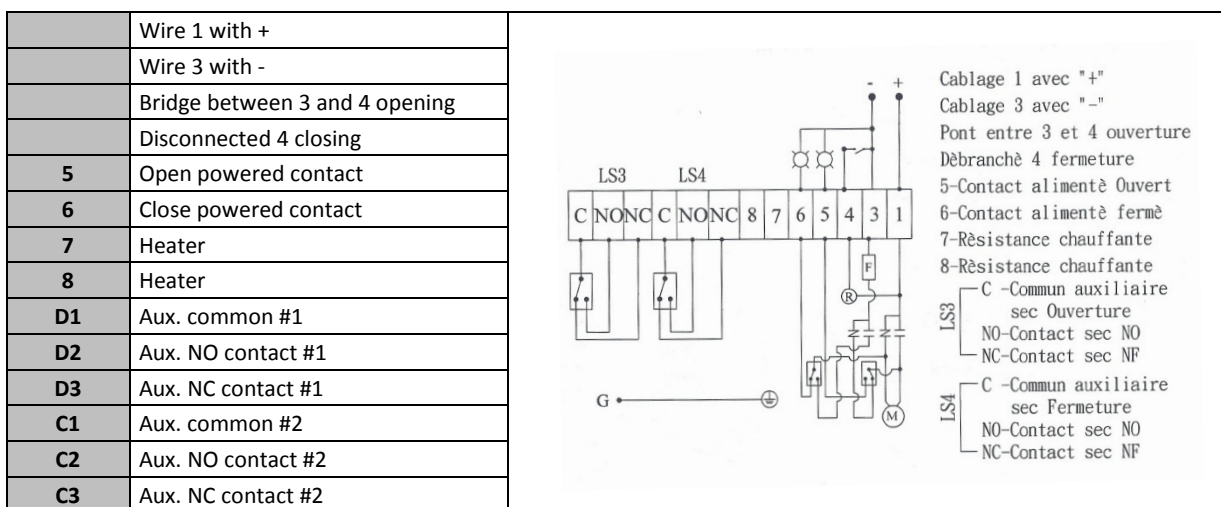
## WIRING SCHEME 230 V AC




## WIRING SCHEME 24 V AC



## WIRING SCHEME 24 V DC



The following data is for information purpose only and may be subject to alteration without prior notice

	SECTORIEL S.A. 45, rue du Ruisseau 38290 Saint Quentin-Fallavier – FRANCE Tel.: +33 474 94 90 70 – Fax: +33 474 94 13 95 <a href="http://www.sectoriel.fr">www.sectoriel.fr</a> / email: sectoriel@sectoriel.fr	Pages	3/3
		Ref.	FT2233 GB
		Rev.	5
		Date	03/2012