

→ Series 492



■ SUITABLE FOR

Air, gases and vapours neutral and non-neutral



■ EXAMPLES OF USE

For the protection of:

- pressure tanks and
- pressure systems

for air and other neutral and non-neutral gases.

Please observe plant-specific regulations and use of appropriate valve version and sealing material.

- high-pressure compressors
- pressure tanks
- pressure cylinder pack

**Safety valves are set and sealed at the factory.**



■ MATERIAL



■ SPECIFICATION



1/4" – 3/4"



– 60°C to + 180°C



50 – 630 bar  
depending on version

■ APPROVALS

TÜV Type test approval 2076 D/G

EC type examination S/G

Requirements

AD 2000 Data sheet A2  
DIN EN ISO 4126-1  
PED 97/23/EC

■ MATERIALS

Component	Material	DIN EN	ASME
Inlet body	Stainless steel	1.4404	316 L
Outlet body	Stainless steel	1.4404	316 L
Internal parts	Stainless steel	1.4404	316 L
Spring	Spring steel	EN 10270 - 2 - VDSiCr	

### ■ VALVE VERSION

<b>s</b>	Standard	cylindrical form, atmospheric discharge, for air and similar neutral, non-toxic and non-flammable gases that can be freely discharged into the atmosphere.
<b>t</b>	gastight version of spring housing	for neutral and non-neutral media, not counter pressure compensated. The environment is protected from being affected by the medium. Only available for version with angled body and without lifting device.

### ■ MEDIUM

<b>G</b>	gaseous	Air and similar neutral and non-neutral gases
----------	---------	---

### ■ TYPE OF LIFTING MECHANISM

<b>K</b>	Standard with twist-type lifting mechanism	
<b>0</b>	without lifting device	

### ■ AVAILABLE NOMINAL DIAMETERS AND CONNECTION SIZES

Nominal diameter DN		10				15		
Inlet		1/4" (8)	3/8" (10)	1/2" (15)	3/4" (20)	3/8" (10)	1/2" (15)	3/4" (20)
Outlet	Atmospheric discharge via outlet apertures	■	■	■	■	■	■	■
	1/2" (15)	■	■	■	■	■	■	■
	3/4" (20)	■	■	■	■	■	■	■
	1" (25)	■	■	■	■	■	■	■

### ■ TYPE OF CONNECTION INLET / OUTLET THREADED CONNECTIONS

<b>m / -</b>	Standard	Male thread BSP-P / -	DIN EN ISO 228-1 / -
<b>m / f</b>	with positionable angled body	Male thread BSP-P / Female thread BSP-P	DIN EN ISO 228-1 / DIN EN ISO 228-1

### ■ SEALS

<b>MD / PAI</b>	Metal-to-metal sealing / Polyamidimide	Flat seal 50 – 630 bar	-60°C to +180°C
-----------------	--	------------------------	-----------------

### ■ OPTIONS

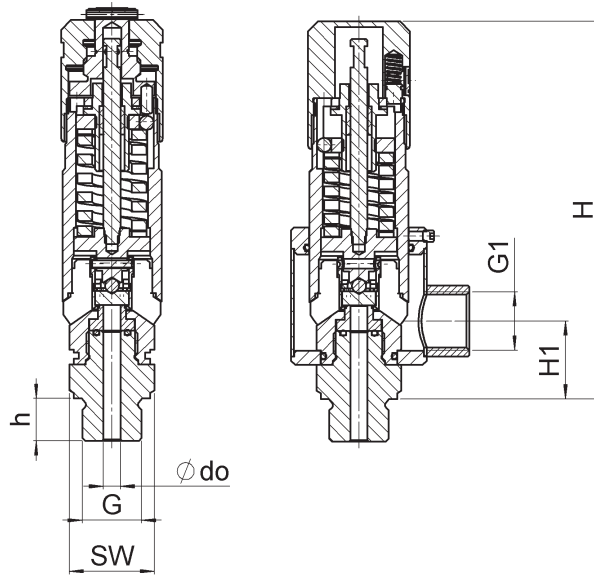
Special versions on request.
------------------------------

■ NOMINAL DIAMETERS, CONNECTIONS, INSTALLATION DIMENSIONS

Series 492: Connection, installation dimensions, ranges of adjustment								
Nominal diameter	DN	10				15		
Connection DIN EN ISO 228	G	1/4" (8)	3/8" (10)	1/2" (15)	3/4" (20)	3/8" (10)	1/2" (15)	3/4" (20)
	G1'	1/2" (15)	1/2" (15)	1/2" (15)	1/2" (15)	1/2" (15)	1/2" (15)	1/2" (15)
		3/4" (20)	3/4" (20)	3/4" (20)	3/4" (20)	3/4" (20)	3/4" (20)	3/4" (20)
		1" (25)	1" (25)	1" (25)	1" (25)	1" (25)	1" (25)	1" (25)
Installation dimensions in mm	H	133	133	133	133	134	134	134
	H1'	ca. 28	ca. 28	ca. 28	ca. 28	ca. 30	ca. 30	ca. 30
	h	12	12	15	16	12	15	16
	SW	27	27	27	27	30	30	30
	do	6	6	6	6	9	9	9
Weight	kg	0,74	0,74	0,74	0,74	0,86	0,87	0,92
Range of adjustment	bar	50-630	50-630	50-630	50-630	50-250	50-250	50-250

<sup>1</sup>only for the version with positionable angled body and according to choice of outlet connection size

■ MAIN DIMENSIONS, INSTALLATION DIMENSIONS



■ INDIVIDUAL SELECTION / VALVE CONFIGURATION

Series	Valve version	Medium	Lifting device	Nominal diameter DN	Connection type		Connection size		Seal	Options	Set pressure	Quantity
					Inlet	Outlet	Inlet	Outlet				
492	s	G	K	10	m	—	8	—	MD / PAI		70,0	5
492	t	G	O	15	m	f	15	20	MD / PAI		300	2
492		G			m				MD / PAI			
492		G			m				MD / PAI			

In this table you can configure a valve according to your individual requirements (similar to the *example* shown, which should be deleted before you enter your own data). Please complete the table by hand using the abbreviations in this datasheet and then fax it to: +49(0)7141.4889488  
Please do not forget to add your personal data so that our sales team can contact you.

Name \_\_\_\_\_

First Name \_\_\_\_\_

Company \_\_\_\_\_

Telephone \_\_\_\_\_

E-Mail \_\_\_\_\_

■ CAPACITY TABLE

Series 492: Blowing-off rates at 10% above set pressure

Nominal diameter DN		10	15
Set pressure bar			
Air Nm <sup>3</sup> /h	50	787	1867
	60	941	2233
	70	1095	2600
	80	1250	2967
	90	1404	3333
	100	1559	3700
	110	1713	4067
	120	1868	4433
	130	2022	4800
	140	2177	5167
	150	2331	5533
	160	2486	5900
	170	2640	6266
	180	2795	6633
	190	2949	7000
	200	3104	7366
	210	3258	7733
	220	3413	8100
	230	3567	8466
	240	3722	8833
	250	3876	9200
	260	4031	
	270	4185	
	280	4340	
	290	4494	
	300	4649	
	310	4803	
	320	4958	
	330	5112	
	340	5267	
	350	5421	
	360	5576	
	370	5730	
380	5885		
390	6039		
400	6194		
410	6348		
420	6503		
430	6657		
440	6812		
450	6966		
460	7121		
470	7275		
480	7430		
490	7584		
500	7739		
510	7893		
520	8048		
530	8202		
540	8357		
550	8511		
560	8666		
570	8820		
580	8975		
590	9129		
600	9284		
610	9438		
620	9593		
630	9747		