

→ **Series 651mHNK VA**



■ SUITABLE FOR

Hot water



■ EXAMPLES OF USE

For the protection of:

- thermostatically protected closed-circuit water heating systems with flow temperatures of up to 120°C according to TRD 721, DIN 4751 and DIN EN 12828.

Should the thermostatic limiting and control unit fail, the safety valve has to blow-off the total heating output of the boiler as hot water and steam. Thanks to the all-metal design these safety valves can also be installed in cases of high environmental or radiation temperatures

- heating systems for building technology- and industrial-applications
- co-generation plants (CHP)

**Safety valves are set and sealed at the factory.**



■ MATERIAL



■ SPECIFICATION



1/2"



- 10°C to + 120°C



2,5 bar and 3,0 bar

■ APPROVALS

TÜV Type test approval 516

H

EC type examination

H

**Requirements**

TRD 721  
DIN 4751 Part 2  
DIN EN 12828  
DIN EN ISO 4126-1  
PED 97/23/EC

**Classification society**

American Bureau of Shipping

ABS

■ MATERIALS

Component	Material	DIN EN	ASME
Inlet body	Stainless steel	1.4408	CF8M
Outlet body	Stainless steel	1.4408	CF8M
Spring housing	Nickel plated brass	CW617N	CW617N
Internal wetted parts	Stainless steel	1.4404	316 L
not wetted parts	Brass	CW617N	CW617N
Spring	Spring steel with anti-rust protection	1.1200	ASTM A228

#### ■ VALVE VERSION

<b>m</b>	Standard with diaphragm	The diaphragm prevents the medium entering into the spring housing and protects moving parts from being affected by the medium.
----------	-------------------------	---

#### ■ MEDIUM

<b>HN</b>	Hot water (national for Germany)	Flow temperature ≤ 120°C in water heating systems
-----------	----------------------------------	---

#### ■ TYPE OF LIFTING MECHANISM

<b>K</b>	Standard with twist-type lifting mechanism
----------	--

#### ■ VARIATION

<b>VA</b>	wetted parts made of stainless steel
-----------	--------------------------------------

#### ■ AVAILABLE NOMINAL DIAMETERS AND CONNECTION SIZES

<b>Nominal diameter DN</b>		<b>15</b>
<b>Inlet</b>		1/2" (15)
<b>Outlet</b>	1/2" (15)	
	3/4" (20)	■

#### ■ TYPE OF CONNECTION INLET / OUTLET THREADED CONNECTIONS

<b>f / f</b>	Standard	Female thread BSP-P / Female thread BSP-P	DIN EN 10226, ISO 7-1 / DIN EN 10226, ISO 7-1
--------------	----------	---	---

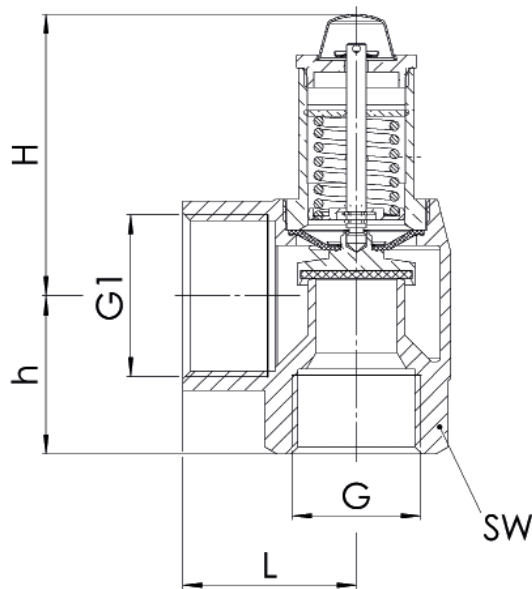
#### ■ SEALS

<b>EPDM</b>	Ethylene propylene diene	Elastomere flat seal and diaphragm (up to 100% glycol resistant)	-10°C to +120°C
-------------	--------------------------	--	-----------------

■ NOMINAL DIAMETERS, CONNECTIONS, INSTALLATION DIMENSIONS

Series 651mHNK VA: Connection, installation dimensions, ranges of adjustment		
Nominal diameter	DN	15
Connection DIN EN 10226-1	G	1/2" (15)
Outlet DIN EN 10226-1	G1	3/4" (20)
Installation dimensions in mm	L	34
	H	70
	h	28
	SW	27
Weight	kg	0,3
Set pressure	bar	2,5 bar
		3 bar

■ MAIN DIMENSIONS, INSTALLATION DIMENSIONS



■ INDIVIDUAL SELECTION / VALVE CONFIGURATION

Series	Valve version	Medium	Lifting device	Variation	Nominal diameter DN	Connection type		Connection size		Seal	Set pressure	Quantity
						Inlet	Outlet	Inlet	Outlet			
651	m	HN	K	VA	15	f	f	15	20	EPDM	2,5	2
651	m	HN	K	VA	15	f	f	15	20	EPDM		
651	m	HN	K	VA	15	f	f	15	20	EPDM		
651	m	HN	K	VA	15	f	f	15	20	EPDM		

In this table you can configure a valve according to your individual requirements (similar to the *example* shown, which should be deleted before you enter your own data). Please complete the table by hand using the abbreviations in this datasheet and then fax it to: +49(0)7141.4889488  
Please do not forget to add your personal data so that our sales team can contact you.

Name

First Name

Company

Telephone

E-Mail

## ■ CAPACITY TABLE

### Series 651mHNK VA: Blowing-off rates at 0,5 bar above set pressure

Nominal diameter DN		15	
	Set pressure bar	kW	Kcal/h
Heating	2,50	50	45.000
	3,00	50	45.000

To achieve heating output according to TRD 721, up to three valves per system with separate discharge pipes can be installed.