

→ **Type 685**

Type 685

Dirt trap made of gunmetal



■ SUITABLE FOR

Liquids	neutral and non-neutral	
Air, gases and vapours	neutral and non-neutral	

■ EXAMPLES OF USE

For the protection of downstream plants and valves against contamination. Suitable for water, neutral / non-neutral liquids, oil, compressed air and neutral/ non-neutral gases. Please observe chemical resistance of the seal.

The dirt traps are equipped with double strainers made of stainless steel. On request without surcharge also possible with coarse strainer. Order example for type 685 with connection 1" and version with coarse strainer: 685-25-GR

Replacement part: double strainer made of stainless steel
Order code: 685DS-DN..

■ MATERIAL



■ SPECIFICATION



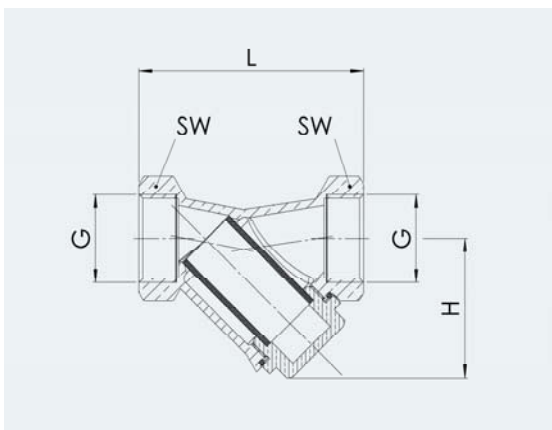
3/8" – 2"



from -10°C
to + 130°C



pressure-tight
up to 16 bar



■ NOMINAL DIAMETERS, CONNECTIONS, INSTALLATION DIMENSIONS

Type 685: Connection, Installation dimensions, Weight								
Nominal diameter	DN	10	15	20	25	32	40	50
Connection DIN EN ISO 228	G	3/8" (10)	1/2" (15)	3/4" (20)	1" (25)	1 1/4" (32)	1 1/2" (40)	2" (50)
Mesh size								
Double strainer (standard)	mm	0,25	0,25	0,25	0,25	0,25	0,25	0,25
Coarse strainer (on request)	mm	0,5	0,5	0,5	0,5	0,7	0,7	0,7
Installation dimensions in mm	L	60	60	73	85	105	117	146
	H'	31	31	38	51	60	68	91
	SW	27	27	34	41	50	58	70
Weight	kg	0,2	0,2	0,3	0,5	0,8	1,1	1,8

¹ For maintenance and to replace the strainer insert, please keep a free space of at least 2 x H from the center of the pipe.

■ MATERIALS

Component	Material	DIN EN	ASME
Body	Gunmetal	CC499K	CC499K
Strainer	Stainless steel	1.4301	304
Seal	NBR		