

# Horizontal End-Suction Pumps

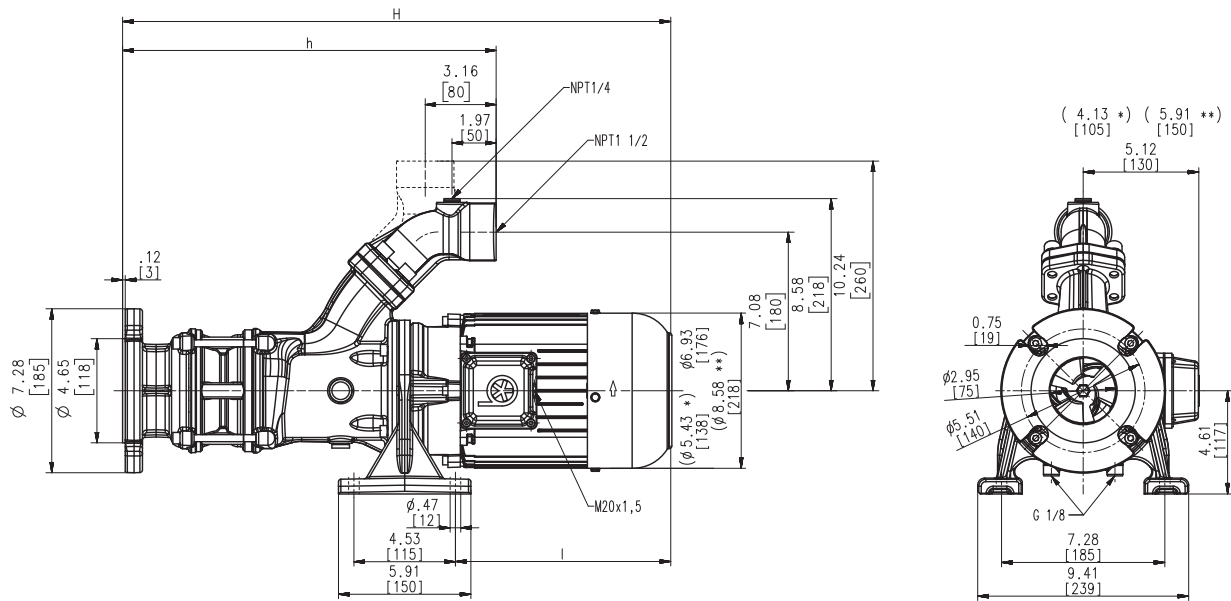
## SBA601S...604S

Axial/semi-open impellers



60 Hz

### SBA601S...604S



Dimensions in Inches / mm

\*) Dimensions SBA601S

\*\*) Dimensions SBA603S, 604S

Type	Flow at head	Dimensions		Length		Weight		Power	Voltage 3~	Fre- quen- cy	Current	Speed		
	GPM /Feet l/min /m	H inch	H mm	h inch	h mm	l Inch	l mm						Lbs	kg
SBA601S	110/18	20.6	524	14.2	360	8.3	211	70.6	32	1.7	230	60	4.8	3440
	440/5									1.27	460	60	2.4	3440
SBA602S	110/46	26.2	666	16.7	424	11.4	289	101.4	46	3.4	230	60	8.8	3480
	440/13									2.55	460	60	4.4	3480
SBA603S	110/76	30.3	769	19.2	488	12.9	328	134.5	61	5.1	230	60	12.8	3520
	440/21									3.8	460	60	6.4	3520
SBA604S	110/90	34.0	863	21.7	552	14.1	358	154.4	70	7.7	230	60	19.0	3520
	440/25									5.75	460	60	9.5	3520



**Horizontal End-Suction Pumps**

are centrifugal inline pumps with a compact design where the impeller is mounted onto the extended motor shaft. These pumps are not self-priming and must be gravity fed. All pumps are equipped with a single mechanical seal. Upon request a second mechanical seal is available to allow for dry-running (-GD). This pump series is designed for horizontal installations next to a tank and for pumping **air entrained coolant** fluids, such as **water-soluble coolants or cutting oils**, as they occur in **high speed turning, milling or grinding applications**. The SBA pumps are equipped with the user-friendly **SAE flange** connection which allows for either vertical or horizontal pipe connection and the connection of a pressure gauge with NPT 1/4. For more information see mechanical features within the technical information section.



**Applications**

- Types of fluid
  - coolants
  - cooling/cutting oils
- Kinematic viscosity
  - ...200 SSU (...45 mm<sup>2</sup>/s)
- Pumping temperature
  - 30...175 °F (0...80 °C)

**Construction**

Pump body	cast iron
Cover	cast iron
Impeller axial	cast steel
Impeller radial	cast steel
Shaft	steel
Mechanical seal	SiC
Noise level (Motor only; Tolerance +3 dBA)	
SBA601S	65 dBA
SBA602S	69 dBA
SBA603S	72 dBA
SBA604S	74 dBA

