

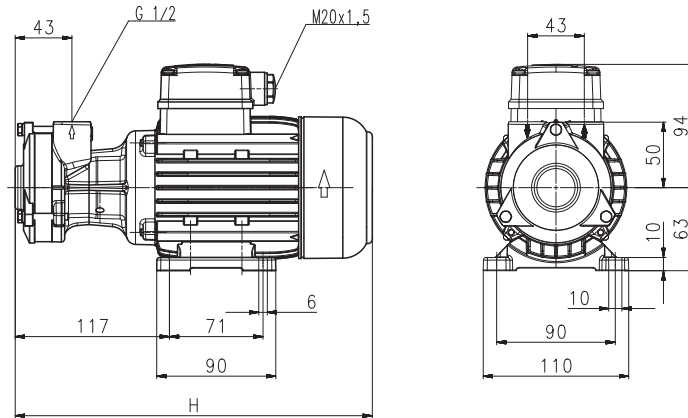
Miniature Centrifugal Pumps



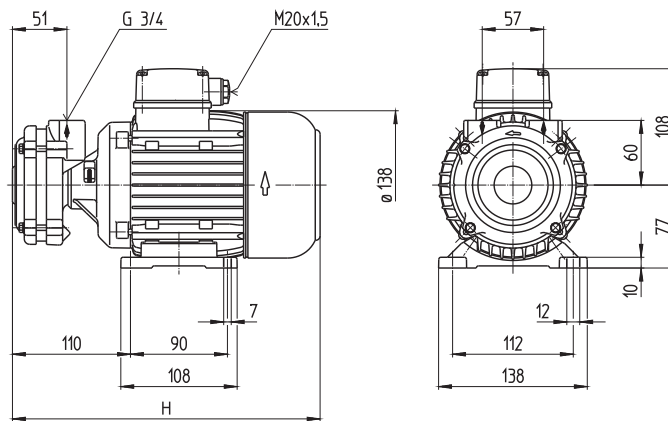
KC21...45 / KC60

Open/peripheral impellers

KC21, 31, 35, 45 self-priming



KC60 self-priming



Type	Vol. del. at	Dimensions	Weight	Power	Voltage	Fre-	Current	Speed
	manom. del. head	H mm		kg	3 ~	quency		
	l/min / m			kW	V	Hz	A	1/min
KC21	2/20	269	6	0.22	220-240	50	1.14	2800
					380-415	50	0.66	2800
KC31	2/28	295	6.5	0.32	220-240	50	1.58	2825
					380-415	50	0.91	2825
KC35	2/33	269	6	0.22	220-240	50	1.14	2800
					380-415	50	0.66	2800
KC45	2/43	295	7	0.32	220-240	50	1.58	2825
					380-415	50	0.91	2825
KC60	2/45	309	11	0.92	220-240	50	3.8	2840
					380-415	50	2.2	2840
				1.06	460	60	2.1	3440



Miniature Centrifugal Pumps

series KC are suitable for pumping thin-bodied fluids.

They operate according to the bypass duct principle, with self-priming function following initial priming.

Applications

Types of fluid

Industry water
coolants
fuel oil

Kinematic viscosity

...12 mm²/s (12 cSt)

Pumping temperature

0...80° C

Suction height

2 m without foot-located valve
6 m with foot-located valve

Construction

Pump body

bronze (KC21...KC45)

Cover

bronze (KC21...KC31)
brass (KC35...KC60)

Impeller

brass

Shaft

Cr-steel

Gasket

Viton

Noise level

KC35	57 dBA
KC45	60 dBA
KC21...KC31	63 dBA
KC60	65 dBA

