

High Pressure Pumps

BFS2, FFS2

50 Hz

Screw spindles

Pressure max.	2-pole motor rotation speed 2900 RPM							4-pole motor rotation speed 1450 RPM					
	Flow at viscosity		Power consumption at viscosity		Motor immersion version	Motor foot mounted version	Weight	Flow at viscosity		Power consumption at viscosity		Motor	Weight
	1 mm ² /s	20 mm ² /s	1 mm ² /s	20 mm ² /s				1 mm ² /s	20 mm ² /s	1 mm ² /s	20 mm ² /s		
Type / bar	l/min	l/min	kW	kW	kW	kW	kg	l/min	l/min	kW	kW	kW	kg
BFS232/	Q_{Th}¹⁾ 26.1		–	–	–	–	–	Q_{Th}¹⁾ 13.1		–	–	–	–
10	24.3	25.4	0.7	0.8	B 1.3	1.1	40	11.2	12.4	0.3	0.5	0.75	31
20	23.6	25.2	1.1	1.3	B 1.5	1.5	40	10.6	12.1	0.6	0.7	1.1	33
30	23	24.9	1.5	1.7	B 1.9	2.2	45	10	11.9	0.8	0.9	1.1	33
40	22.4	24.6	2.0	2.2	B 2.6	3.0	46	9.4	11.6	1.0	1.2	1.5	35
50	21.8	24.4	2.4	2.7	B 3.0	3.0	58	8.8	11.3	1.2	1.4	1.5	35
60	21.2	24.1	2.8	3.1	B 3.3	4.0	58	8.2	11.1	1.4	1.6	2.2	46
70	20.6	23.9	3.3	3.6	B 4.0	4.0	59	7.6	10.8	1.7	1.9	2.2	46
80	20	23.6	3.7	4.0	B 5.0	5.5	64	7	10.6	1.9	2.1	2.2	46
90	19.5	23.3	4.1	4.5	B 5.0	5.5	64	6.4	10.3	2.1	2.3	3.0	46
100	18.9	23.1	4.6	4.9	B 5.5	5.5	64	5.8	10	2.3	2.5	3.0	46
110	18.4	22.9	5.0	5.4	B 5.5	7.5	75	–	–	–	–	–	–
120	17.8	22.6	5.5	5.8	B 7.5	7.5	94	–	–	–	–	–	–
130	17.3	22.4	5.9	6.3	B 7.5	7.5	94	–	–	–	–	–	–
140	16.7	22.1	6.3	6.7	B 7.5	7.5	94	–	–	–	–	–	–
150	16.2	21.9	6.8	7.2	B 7.5	7.5	94	–	–	–	–	–	–
BFS238/	Q_{Th}¹⁾ 31		–	–	–	–	–	Q_{Th}¹⁾ 15.5		–	–	–	–
10	28.8	30.1	0.7	0.7	B 1.3	1.1	40	13.3	14.6	0.4	0.4	0.75	31
20	28.1	29.8	1.3	1.3	B 1.5	1.5	40	12.6	14.3	0.6	0.6	0.75	31
30	27.4	29.5	1.8	1.8	B 2.2	2.2	45	11.9	14	0.9	0.9	1.1	33
40	26.7	29.2	2.3	2.4	B 2.6	3.0	46	11.2	13.7	1.2	1.2	1.5	35
50	26	28.9	2.8	2.9	B 3.3	4.0	58	10.5	13.4	1.4	1.5	2.2	46
60	25.3	28.7	3.3	3.5	B 4.0	4.0	59	9.8	13.2	1.7	1.8	2.2	46
70	24.6	28.4	3.8	4.0	B 5.0	5.5	64	9.1	12.9	1.9	2.0	2.2	46
80	23.9	28.1	4.4	4.5	B 5.0	5.5	64	8.4	12.6	2.2	2.3	3.0	46
90	23.2	27.8	4.9	5.1	B 5.5	5.5	64	7.7	12.3	2.5	2.6	3.0	46
100	22.5	27.6	5.4	5.6	B 6.0	7.5	87	7	12.1	2.7	2.9	3.0	46
110	21.9	27.3	5.9	6.2	B 6.5	7.5	87	–	–	–	–	–	–
120	21.2	27	6.4	6.8	B 7.5	7.5	94	–	–	–	–	–	–
130	20.6	26.7	6.9	7.3	B 9.0	11.0	100	–	–	–	–	–	–
140	19.9	26.5	7.5	7.9	B 9.0	11.0	100	–	–	–	–	–	–
150	19.3	26.2	8.0	8.4	B 9.0	11.0	100	–	–	–	–	–	–

¹⁾ Q_{Th}: Theoretical flow rate

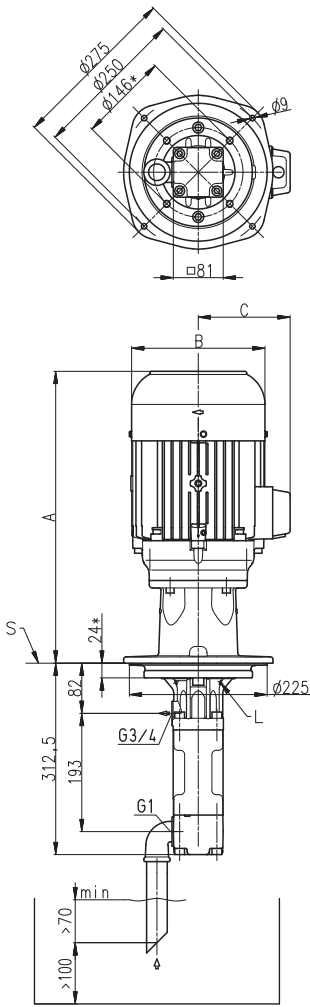
Higher pressures (up to 200 bar) upon request.

Viscosity > 20 mm²/s more power consumption.

Characteristics and dimensions

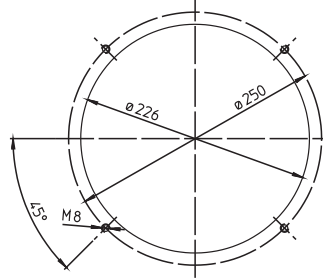
BFS2, FFS2

50 Hz

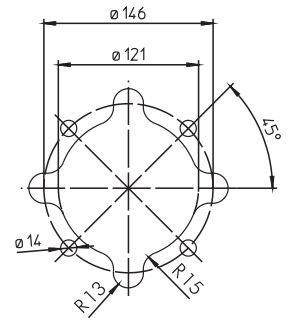


Mounting hole patterns

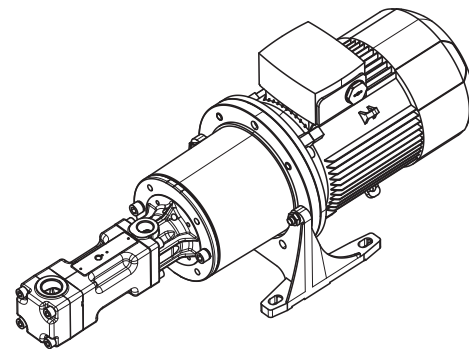
BFS1 / BFS2



TFS1 / TFS2



All corners must be deburred!
According to ISO 2768-m

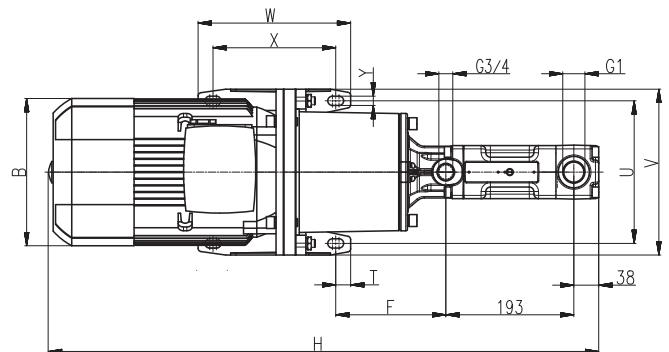
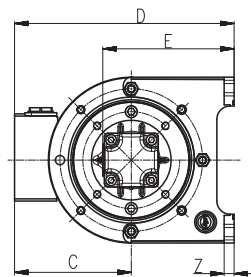


*) Dimensions for 4-pole standard motor upon request

L = Leakage hole

S = Mounting plate, please refer to the cut-out of mounting hole

Power 2-poles kW	A mm	B mm	C mm
B 1.3 / 1.5	415	176	130
B 1.9 / 2.2 / 2.6	474	176	130
B 3.0 / 3.3 / 4.0	513	218	150
B 5.0 / 5.5	543	218	150
B 6.0 / 6.5	584	258	193
B 7.5 / 9.0	622	258	193



Power 2-poles kW	Power 4-poles kW	B mm	C mm	D mm	E mm	F mm	H mm	T mm	U mm	V mm	W mm	X mm	Y mm	Z mm
-	0.75	159	121	233	155	138	776	15	180	210	90	60	11	12
1.1	-	159	121	233	155	138	736	15	180	210	90	60	11	12
1.5	1.1 / 1.5	178	126	238	155	138	746	15	180	210	90	60	11	12
2.2	-	178	126	238	155	138	786	15	180	210	90	60	11	12
3.0	2.2 / 3.0	198	166	321	198	166	846	22.5	215	250	230	185	14	15
4.0	-	222	177	332	198	166	830	22.5	215	250	230	185	14	15
5.5	-	262	202	387	228	171	882	22.5	265	300	270	225	14	18
7.5	-	262	202	387	228	171	932	22.5	265	300	270	225	14	18
11.0	-	314	237	472	278	210	1051	20	300	350	305	265	18	18

High Pressure Pumps

BFS2, FFS2

50 Hz

Screw spindles

Pressure max.	2-pole motor rotation speed 2900 RPM							4-pole motor rotation speed 1450 RPM					
	Flow at viscosity		Power consumption at viscosity		Motor immersion version	Motor foot mounted version	Weight	Flow at viscosity		Power consumption at viscosity		Motor	Weight
	1 mm ² /s	20 mm ² /s	1 mm ² /s	20 mm ² /s				1 mm ² /s	20 mm ² /s	1 mm ² /s	20 mm ² /s		
Type / bar	l/min	l/min	kW	kW	kW	kW	kg	l/min	l/min	kW	kW	kW	kg
BFS250/	Q_{Th}¹⁾ 40.8		–	–	–	–	–	Q_{Th}¹⁾ 20.4		–	–	–	–
10	37.9	39.6	0.9	0.9	B 1.3	1.5	40	17.5	19.2	0.5	0.5	0.75	31
20	37	39.2	1.6	1.6	B 1.9	2.2	45	16.6	18.8	0.8	0.8	1.1	33
30	36	38.9	2.3	2.3	B 2.6	3.0	46	15.6	18.5	1.2	1.2	1.5	35
40	35.1	38.5	3.0	3.1	B 3.3	4.0	58	14.7	18.1	1.5	1.6	2.2	46
50	34.3	38.1	3.6	3.8	B 4.0	4.0	59	13.9	17.7	1.8	1.9	2.2	46
60	33.5	37.7	4.3	4.5	B 5.0	5.5	64	13.1	17.3	2.2	2.3	3.0	46
70	32.7	37.4	5.0	5.2	B 5.5	5.5	64	12.3	17	2.5	2.6	3.0	46
80	31.9	37	5.7	5.9	B 6.5	7.5	87	11.5	16.6	2.9	3.0	4.0	50
90	31.2	36.6	6.4	6.6	B 7.5	7.5	94	10.7	16.2	3.2	3.3	4.0	50
100	30.5	36.2	7.0	7.4	B 9.0	11.0	100	9.9	15.8	3.5	3.7	4.0	50
110	29.2	35.9	7.7	8.1	B 9.0	11.0	100	–	–	–	–	–	–
120	27.9	35.5	8.4	8.8	B 11.0	11.0	122	–	–	–	–	–	–
130	26.6	35.1	9.1	9.5	B 11.0	11.0	122	–	–	–	–	–	–
140	25.4	34.7	9.8	10.2	B 11.0	11.0	122	–	–	–	–	–	–
150	24.1	34.3	10.4	11.0	B 13.0	15.0	122	–	–	–	–	–	–
BFS260/	Q_{Th}¹⁾ 48.9		–	–	–	–	–	Q_{Th}¹⁾ 24.5		–	–	–	–
10	45.5	47.4	1.0	1.1	B 1.7	2.2	41	21	23	0.5	0.6	0.75	31
20	44.3	46.9	1.9	2.0	B 2.6	3.0	46	19.9	22.4	0.9	1.0	1.5	35
30	43.2	46.3	2.7	2.9	B 3.3	4.0	58	18.7	21.8	1.4	1.4	2.2	46
40	42	45.7	3.5	3.8	B 5.0	5.5	64	17.6	21.2	1.8	1.9	2.2	46
50	40.9	45.1	4.3	4.6	B 5.0	5.5	64	16.4	20.7	2.2	2.3	3.0	46
60	39.7	44.5	5.1	5.5	B 6.0	7.5	87	15.3	20	2.6	2.8	3.0	46
70	38.5	43.9	5.9	6.4	B 7.5	7.5	94	14.1	19.4	3.0	3.2	4.0	50
80	37.4	43.3	6.8	7.3	B 9.0	11.0	100	12.9	18.8	3.4	3.7	4.0	50
90	36.2	42.6	7.6	8.1	B 9.0	11.0	100	11.8	18.2	3.8	4.1	5.5	82
100	35	42	8.5	9.0	B 11.0	11.0	122	10.6	17.6	4.3	4.5	5.5	82
110	33.4	41.4	9.3	9.9	B 11.0	11.0	122	–	–	–	–	–	–
120	31.8	40.7	10.0	10.8	B 11.0	11.0	122	–	–	–	–	–	–
130	30.1	39.5	10.9	11.7	B 13.0	15.0	122	–	–	–	–	–	–
140	28.5	38.2	11.7	12.5	B 13.0	15.0	122	–	–	–	–	–	–
150	26.9	37	12.5	13.4	–	15.0	103	–	–	–	–	–	–

¹⁾ Q_{Th}: Theoretical flow rate

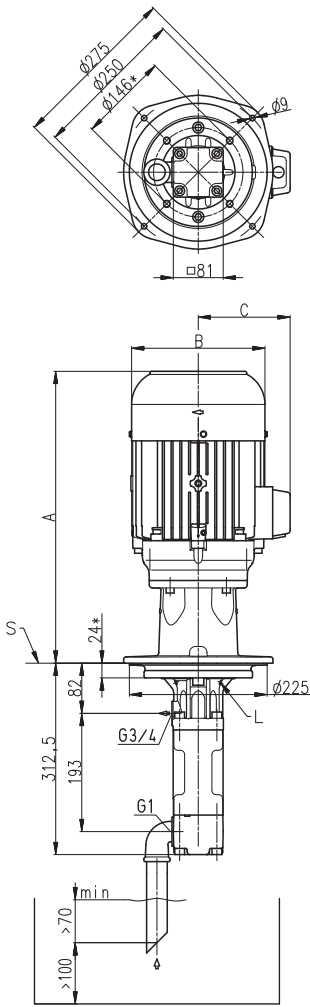
Higher pressures (up to 200 bar) upon request.

Viscosity > 20 mm²/s more power consumption.

Characteristics and dimensions

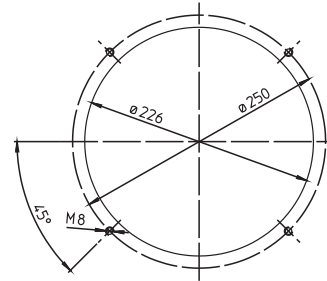
BFS2, FFS2

50 Hz

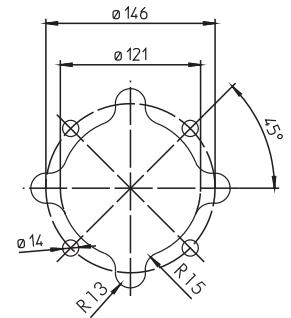


Mounting hole patterns

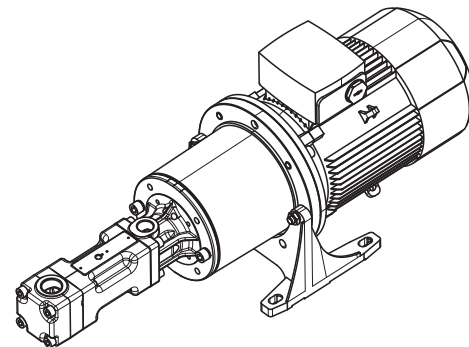
BFS1 / BFS2



TFS1 / TFS2



All corners must be deburred!
According to ISO 2768-m

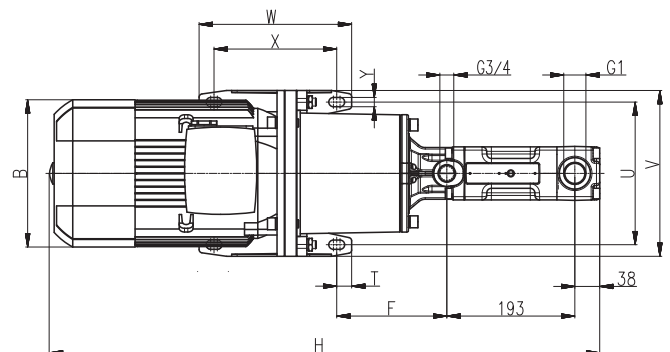
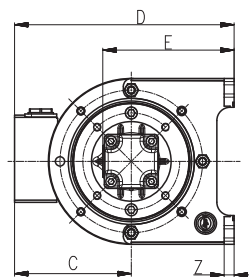


*) Dimensions for 4-pole standard motor upon request

L = Leakage hole

S = Mounting plate, please refer to the cut-out of mounting hole

Power 2-poles kW	A mm	B mm	C mm
B 1.3	415	176	130
B 1.7	441	176	130
B 1.9 / 2.6	474	176	130
B 3.3 / 4.0	513	218	150
B 5.0 / 5.5	543	218	150
B 6.0 / 6.5	584	258	193
B 7.5 / 9.0	622	258	193
B 11.0 / 13.0	630	310	240



Power 2-poles kW	Power 4-poles kW	B mm	C mm	D mm	E mm	F mm	H mm	T mm	U mm	V mm	W mm	X mm	Y mm	Z mm
-	0.75	159	121	233	155	138	776	15	180	210	90	60	11	12
1.5	1.1 / 1.5	178	126	238	155	138	746	15	180	210	90	60	11	12
2.2	-	178	126	238	155	138	786	15	180	210	90	60	11	12
3.0	2.2 / 3.0	198	166	321	198	166	846	22.5	215	250	230	185	14	15
4.0	4.0	222	177	332	198	166	830	22.5	215	250	230	185	14	15
5.5	-	262	202	387	228	171	882	22.5	265	300	270	225	14	18
7.5	5.5	262	202	387	228	171	932	22.5	265	300	270	225	14	18
11.0 / 15.0	-	314	237	472	278	210	1051	20	300	350	305	265	18	18