

→ Series 851



■ SUITABLE FOR

Liquids	neutral and non-neutral	
Air, gases and vapours	neutral and non-neutral	
Steam		

■ EXAMPLES OF USE

For the protection of:

- Pressure-vessels/-systems for neutral / non-neutral vapours, gases and liquids
- Steam boilers and steam plants
- Stationary silos and bulk transport vehicles for liquid, granular and powdery goods

taking into account the plant-specific regulations and making use of the suitable valve versions and sealing materials.

- Mechanical engineering
- pump protection
- Apparatus construction and medical technology (sterilizers, autoclaves)
- shipbuilding and -repair
- Pressure booster systems water- / air-side
- Steam- and industrial-boiler systems

Safety valves are set and sealed at the factory.

■ APPROVALS

TÜV-Type test approval 666, 684	D/G, F, F/K/S ¹
EC type examination	S/G, L, F/K/S ¹
GOST-R	D/G (S/G), F (L), F/K/S ¹
Requirements	
AD 2000 Data sheet A2	
TRD 421	
TRB 801 No. 22 and No. 23 ¹	
DIN EN ISO 4126-1	
PED 97/23/EC	

Classification society

Germanischer Lloyd	GL
Lloyd's Register EMEA	LR EMEA
American Bureau of Shipping	ABS
Det Norske Veritas	DNV
Bureau Veritas	BV



■ MATERIAL



■ SPECIFICATION



1/2" – 2"



– 60°C to + 225°C
depending on version



0,5 – 50 bar

■ MATERIALS

Component	Material	DIN EN	ASME
Inlet body	Gunmetal	CC499K	CC499K
Outlet body	Gunmetal	CC499K	CC499K
Internal parts	Brass	CW614N	CW614N
Spring	Stainless steel	1.4310	302
Bellows (optional)	Bronze	CW452K	C51900

¹only for versions with bellows



■ VALVE VERSION

s	non-gastight version of spring housing	for neutral media without counter pressure.
b	with bellows	for neutral and non-neutral media and/or counter pressure up to 4 bar. Spring, moving parts and the environment are protected from being affected by the medium.
t	gastight version of spring housing	for neutral and non-neutral media without counter pressure. The environment is protected from being affected by the medium. Only available without lifting device.
tb	gastight version with bellows	for neutral and non-neutral, flammable, toxic and environmentally hazardous media and/or counter pressure up to 4 bar. Spring, moving parts and the environment are protected from being affected by the medium. Without lifting device. Double gastight

■ MEDIUM

G	gaseous	Air, vapours, gases and - depending on safety valve version and seal - also for steam
F	liquid	The temperature of the medium under atmospheric pressure must not reach boiling point
GF	gaseous and liquid	Air, vapours, gases, steam and liquids

■ TYPE OF LIFTING MECHANISM

K	Standard with twist-type lifting mechanism
L	Lifting lever
O	without lifting device, standard for gastight versions

■ AVAILABLE NOMINAL DIAMETERS AND CONNECTION SIZES

Nominal diameter DN	15	20	25	32		
Inlet	1/2" (15)	3/4" (20)	1" (25)	1 1/4" (32)	1 1/2" (40)	2" (50)
Outlet	1/2" (15)	■				
	3/4" (20)					
	1" (25)	■				
	1 1/4" (32)		■			
	1 1/2" (40)			■		
2" (50)				■	■	■

■ TYPE OF CONNECTION INLET / OUTLET THREADED CONNECTIONS

f / f	Standard	Female thread BSP-P / Female thread BSP-P	DIN EN ISO 228-1 / DIN EN ISO 228-1
m / f	on request	Male thread BSP-P / Female thread BSP-P	DIN EN ISO 228-1 / DIN EN ISO 228-1
Against surcharge			
BSP-Tf / f		Female thread BSP-T / Female thread BSP-P	DIN EN 10226, ISO 7-1 / DIN EN ISO 228-1
BSP-Tm / f		Male thread BSP-T / Female thread BSP-P	DIN EN 10226, ISO 7-1 / DIN EN ISO 228-1

Further connection types available on request

■ SEALS

NBR	Nitrile rubber	Elastomere moulded seal with metallic support up to 25 bar	-30°C to +130°C
EPDM	Ethylene propylene diene	Elastomere moulded seal with metallic support up to 25 bar	-40°C to +170°C
FKM	Fluorcarbon	Elastomere moulded seal with metallic support up to 25 bar	-20°C to +200°C
PTFE	Polytetrafluoroethylene	Flat seal up to 25 bar	-60°C to +225°C
PTFE+Kohle	Polytetrafluoroethylene + carbon	Flat seal from 25 bar	-60°C to +225°C
Against surcharge			
FFKM	Perfluorinated rubber	Elastomere moulded seal with metallic support up to 25 bar	-10°C to +225°C
MD	Metal-to-metal sealing	Flat seal	-60°C to +225°C

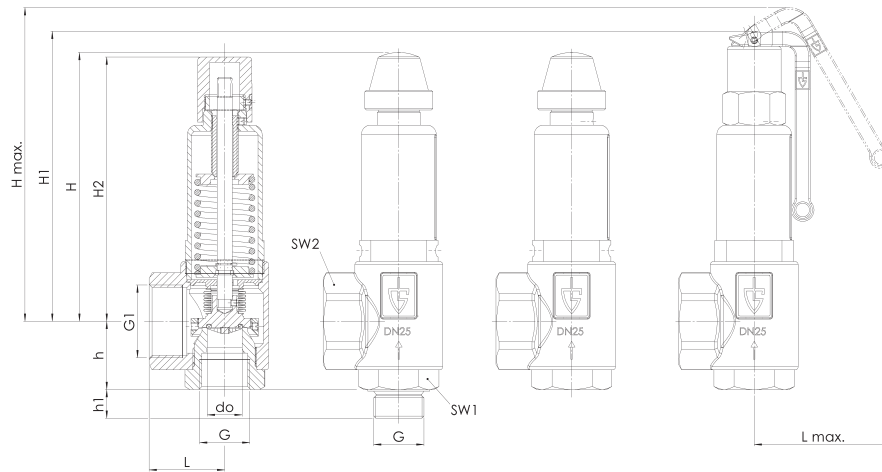
■ OPTIONS

Special versions on request.

■ NOMINAL DIAMETERS, CONNECTIONS, INSTALLATION DIMENSIONS

Series 851: Connection, installation dimensions, ranges of adjustment										
Nominal diameter	DN	15			20		25		32	
Connection DIN EN ISO 228	G	1/2" (15)			3/4" (20)		1" (25)		1 1/4" (32)	
Outlet DIN EN ISO 228	G1	1/2" (15)	1" (25)	1" (25)	1 1/4" (32)	1 1/2" (40)	2" (50)	2" (50)	2" (50)	
Installation dimensions in mm	L	34	40	40	43	50	61	61	61	
	Lmax	65	65	65	91	92	92	92	92	
	H	79	77	131	138	178	241	241	241	
	H1	93	91	149	158	192	264	264	264	
	H2	79	77	131	139	175	241	241	241	
	Hmax	105	103	164	173	207	277	277	277	
	h	28	30	30	39	45	55	69	74	
	h1	15	15	15	16	18	20	23	25	
	SW1	30	30	30	36	46	55	55	70	
	SW2	-	40	40	50	58	70	70	70	
do	15,8	15,8	15,8	18	23	30	30	30		
Weight	kg	0,4	0,4	0,8	1,0	1,8	4,0	4,0	4,0	
Range of adjustment	bar	0,5-25	0,5-25	25,1-50	0,5-50	0,5-50	0,5-50	0,5-50	0,5-50	

■ MAIN DIMENSIONS, INSTALLATION DIMENSIONS



■ INDIVIDUAL SELECTION / VALVE CONFIGURATION

Series	Valve version	Medium	Lifting device	Nominal diameter DN	Connection type		Connection size		Seal	Options	Set pressure	Quantity
					Inlet	Outlet	Inlet	Outlet				
851	tb	GF	0	25	m	f	25	40	FKM		16,0	5
851												
851												
851												

In this table you can configure a valve according to your individual requirements (similar to the *example* shown, which should be deleted before you enter your own data). Please complete the table by hand using the abbreviations in this datasheet and then fax it to: +49(0)7141.4889488
Please do not forget to add your personal data so that our sales team can contact you.

Name _____

First Name _____

Company _____

Telephone _____

E-Mail _____

■ CAPACITY TABLE

Series 851: Blowing-off rates at approx. 10% above set pressure														
Nominal diameter DN		15				20			25			32		
Set pressure bar		Bellows												
		without			with									
		I	II	III	III	I	II	III	I	II	III	I	II	III
Air I Nm ³ /h	0,5	56	42	2,3	1,9	127	96	5,4	199	150	8,8	353	266	15,4
	1	87	69	3,1	2,5	189	151	7,3	291	232	12,0	515	411	20,8
	1,5	113	90	3,8	3,1	252	200	9,0	390	309	14,7	683	542	25,5
	2	141	111	4,4	3,6	316	249	10,4	489	385	16,9	832	656	29,4
	2,5	165	129	5,0	4,0	383	300	11,6	583	457	18,9	1012	793	32,9
Steam II kg/h	3	189	148	5,4	4,4	447	349	12,7	681	532	20,8	1182	924	36,0
	3,5	214	166	5,9	4,7	504	392	13,7	768	597	22,4	1333	1036	38,9
Water III m ³ /h	4	238	184	6,3	5,0	561	435	14,7	855	663	24,0	1484	1151	41,6
	4,5	262	203	6,7	5,3	618	478	15,6	942	729	25,4	1635	1265	44,1
	5	286	221	7,0	5,6	675	521	16,4	1029	794	26,8	1786	1378	46,5
	5,5	310	239	7,4	5,9	732	564	17,2	1116	860	28,1	1937	1492	48,8
	6	335	257	7,7	6,2	790	608	18,0	1203	926	29,3	2088	1607	50,9
	6,5	359	275	8,0	6,4	847	650	18,7	1290	990	30,5	2239	1719	53,0
	7	383	293	8,3	6,6	904	692	19,4	1377	1054	31,7	2390	1830	55,0
	7,5	407	311	8,6	6,9	961	735	20,1	1464	1119	32,8	2542	1943	56,9
	8	431	329	8,9	7,1	1018	777	20,8	1552	1184	33,9	2693	2056	58,8
	8,5	456	347	9,2	7,3	1075	820	21,4	1639	1249	34,9	2844	2168	60,6
	9	480	365	9,4	7,5	1132	862	22,0	1726	1314	35,9	2995	2281	62,4
	9,5	504	383	9,7	7,7	1190	905	22,6	1813	1379	36,9	3146	2392	64,1
	10	528	401	9,9	7,9	1247	947	23,2	1900	1443	37,9	3297	2504	65,8
	11	577	437	10,4	8,3	1361	1031	24,3	2074	1571	39,7	3599	2727	69,0
	12	625	472	10,9	8,7	1475	1115	25,4	2248	1699	41,5	3902	2948	72,0
	13	674	508	11,3	9,1	1590	1199	26,5	2422	1827	43,2	4204	3172	75,0
	14	722	544	11,8	9,4	1704	1284	27,5	2596	1957	44,8	4506	3396	77,8
	15	770	580	12,2	9,7	1818	1368	28,4	2771	2085	46,4	4808	3618	80,5
	16	819	616	12,6	10,1	1932	1453	29,4	2945	2214	47,9	5111	3842	83,2
	17	867	650	13,0	10,4	2047	1535	30,3	3119	2339	49,4	5413	4059	85,7
	18	916	686	13,3	10,7	2161	1619	31,1	3293	2467	50,8	5715	4281	88,2
	19	964	721	13,7	11,0	2275	1703	32,0	3467	2594	52,2	6017	4503	90,6
	20	1013	757	14,0	11,2	2390	1787	32,8	3641	2723	53,6	6320	4726	93,0
	21	1061	793	14,4	11,5	2504	1872	33,6	3816	2852	54,9	6622	4950	95,3
	22	1109	829	14,7	11,8	2618	1956	34,4	3990	2981	56,2	6924	5173	97,5
23	1158	865	15,1	12,1	2732	2040	35,2	4164	3109	57,5	7226	5396	99,7	
24	1206	900	15,4	12,3	2847	2125	35,9	4338	3238	58,7	7529	5619	101,9	
25	1255	936	15,7	12,6	2961	2209	36,7	4512	3366	59,9	7831	5842	104,0	
26	1303	-	16,0	12,8	3075	-	37,4	4686	-	61,1	8133	-	106,0	
27	1352	-	16,3	13,1	3190	-	38,1	4860	-	62,3	8435	-	108,0	
28	1400	-	16,6	13,3	3304	-	38,8	5035	-	63,4	8738	-	110,0	
29	1449	-	16,9	13,5	3418	-	39,5	5209	-	64,5	9040	-	112,0	
30	1497	-	17,2	13,8	3532	-	40,2	5383	-	65,6	9342	-	113,9	
32	1594	-	17,8	14,2	3761	-	41,5	5731	-	67,8	9947	-	117,6	
34	1691	-	18,3	14,7	3990	-	42,8	6080	-	69,9	10551	-	121,2	
36	1788	-	18,8	15,1	4218	-	44,0	6428	-	71,9	11156	-	124,8	
38	1884	-	19,4	15,5	4447	-	45,2	6776	-	73,9	11760	-	128,2	
40	1981	-	19,9	15,9	4675	-	46,4	7124	-	75,8	12365	-	131,5	
42	2078	-	20,4	16,3	4904	-	47,6	7473	-	77,6	12969	-	134,8	
44	2175	-	20,8	16,7	5132	-	48,7	7821	-	79,5	13574	-	137,9	
46	2272	-	21,3	17,0	5361	-	49,8	8169	-	81,3	14178	-	141,0	
48	2369	-	21,8	17,4	5589	-	50,8	8518	-	83,0	14783	-	144,1	
50	2466	-	22,2	17,8	5818	-	51,9	8866	-	84,7	15387	-	147,0	